



STINGER II



User Manual

©2023 ADJ Products, LLC all rights reserved. Information, specifications, diagrams, images, and instructions herein are subject to change without notice. ADJ Products, LLC logo and identifying product names and numbers herein are trademarks of ADJ Products, LLC. Copyright protection claimed includes all forms and matters of copyrightable materials and information now allowed by statutory or judicial law or hereinafter granted. Product names used in this document may be trademarks or registered trademarks of their respective companies and are hereby acknowledged. All non-ADJ Products, LLC brands and product names are trademarks or registered trademarks of their respective companies.

ADJ Products, LLC and all affiliated companies hereby disclaim any and all liabilities for property, equipment, building, and electrical damages, injuries to any persons, and direct or indirect economic loss associated with the use or reliance of any information contained within this document, and/or as a result of the improper, unsafe, insufficient and negligent assembly, installation, rigging, and operation of this product.

DOCUMENT VERSION



Due to additional product features and/or enhancements, an updated version of this document may be available online.

Please check www.adj.com for the latest revision/update of this manual before beginning installation and/or programming.

Europe Energy Saving Notice

Energy Saving Matters (EuP 2009/125/EC)

Saving electric energy is a key to help protecting the environment. Please turn off all electrical products when they are not in use. To avoid power consumption in idle mode, disconnect all electrical equipment from power when not in use. Thank you!

TABLE OF CONTENTS

General Information	4
Limited Warranty (USA Only)	5
General Instructions Features Warranty Registration Handling Precautions	6
Safety Precautions	7
Laser Warning and Safety	9
Set Up	11
Installation	13
Laser Warning Labels	14
System Menu	15
Operation	18
Primary-Secondary Set Up Power Cord Daisy Chain	19
UC IR	20
DMX Traits	21
Fuse Replacement Cleaning Trouble Shooting	23
Specifications	24

GENERAL INFORMATION

Unpacking: Thank you for purchasing the Stinger II by ADJ Products, LLC. Every device has been thoroughly tested and has been shipped in perfect operating condition. Carefully check the shipping carton for damage that may have occurred during shipping. If the carton appears to have been damaged, carefully inspect your fixture for any damage and be sure all accessories necessary to operate the unit have arrived intact. In the event that damage has been found or parts are missing, please contact our toll free customer support number for further instructions. Do not return this unit to your dealer without first contacting customer support.

Introduction: The Stinger II is a DMX intelligent LED moonflower, strobe, & laser fixture. The Stinger II has 2 DMX channel modes: 2 channel mode and 9 channel mode. The fixture can operate in as a stand alone fixture or in a Primary/Secondary configuration. The Stinger II has three operating modes: sound active, show mode, and DMX Control. For best results use fog or special effects smoke to enhance the beams projections.

Customer Support: Contact ADJ Service for any product related service and support needs. Also visit forums.adj.com with questions, comments or suggestions.

Parts: To purchase parts online visit:

<http://parts.adj.com> (US)

<http://www.adjparts.eu> (EU)

ADJ SERVICE USA - Monday - Friday 8:00am to 4:30pm PST

Voice: 800-322-6337 | Fax: 323-582-2941 | support@adj.com

ADJ SERVICE EUROPE - Monday - Friday 08:30 to 17:00 CET

Voice: +31 45 546 85 60 | Fax: +31 45 546 85 96 | support@adj.eu

ADJ PRODUCTS LLC USA

6122 S. Eastern Ave. Los Angeles, CA. 90040

323-582-2650 | Fax 323-532-2941 | www.adj.com | info@adj.com

ADJ SUPPLY Europe B.V

Junostraat 2 6468 EW Kerkrade, The Netherlands

+31 (0)45 546 85 00 | Fax +31 45 546 85 99

www.americandj.eu | info@americandj.eu

ADJ PRODUCTS GROUP Mexico

AV Santa Ana 30 Parque Industrial Lerma, Lerma, Mexico 52000

+52 (728) 282-7070

Warning! To prevent or reduce the risk of electrical shock or fire, do not expose this unit to rain or moisture.

Caution! *This device carries a risk of eye damage. Avoid looking directly into the light source. Use sensible precaution.*

LIMITED WARRANTY (USA ONLY)

- A. ADJ Products, LLC hereby warrants, to the original purchaser, ADJ Products, LLC products to be free of manufacturing defects in material and workmanship for a prescribed period from the date of purchase (see specific warranty period on reverse). This warranty shall be valid only if the product is purchased within the United States of America, including possessions and territories. It is the owner's responsibility to establish the date and place of purchase by acceptable evidence, at the time service is sought.
- B. For warranty service, you must obtain a Return Authorization number (RA#) before sending the product back—please contact ADJ Products, LLC Service Department at 800-322-6337. Send the product only to the ADJ Products, LLC factory. All shipping charges must be prepaid. If the requested repairs or service (including parts replacement) are within the terms of this warranty, ADJ Products, LLC will pay return shipping charges only to a designated point within the United States. If the entire instrument is sent, it must be shipped in its original package and packaging material. No accessories should be shipped with the product. If any accessories are shipped with the product, ADJ Products, LLC shall incur no liability whatsoever for loss of or damage to any such accessories, nor for the safe return thereof.
- C. This warranty is void if the product serial number and/or labels are altered or removed; if the product is modified in any manner which ADJ Products, LLC concludes, after inspection, affects the reliability of the product; if the product has been repaired or serviced by anyone other than the ADJ Products, LLC factory unless prior written authorization was issued to purchaser by ADJ Products, LLC; if the product is damaged because it was not properly maintained as set forth in the product instructions, guidelines and/or user manual.
- D. This is not a service contract, and this warranty does not include maintenance, cleaning, or periodic check-up. During the period specified above, ADJ Products, LLC will replace defective parts at its expense with new or refurbished parts, and will absorb all expenses for warranty service and repair labor by reason of defects in material or workmanship. The sole responsibility of ADJ Products, LLC under this warranty shall be limited to the repair of the product, or replacement thereof, including parts, at the sole discretion of ADJ Products, LLC. All products covered by this warranty were manufactured after August 15, 2012, and bear identifying marks to that effect.
- E. ADJ Products, LLC reserves the right to make changes in design and/or improvements upon its products without any obligation to include these changes in any products theretofore manufactured.
- F. No warranty, whether expressed or implied, is given or made with respect to any accessory supplied with products described above. Except to the extent prohibited by applicable law, all implied warranties made by ADJ Products, LLC in connection with this product, including warranties of merchantability or fitness, are limited in duration to the warranty period set forth above. And all warranties, whether expressed or implied, including warranties of merchantability or fitness, are limited in duration to the warranty period set forth above. The consumer's and/or dealer's sole remedy shall be such repair or replacement as is expressly provided above; and under no circumstances shall ADJ Product, LLC be liable for any loss and/or damage, direct and/or consequential arising out of the use of, and/or inability to use this product.
- G. This warranty is the only written warranty applicable to ADJ Products, LLC products, and supersedes all prior warranties and written descriptions of warranty terms and conditions heretofore published.

MANUFACTURER'S LIMITED WARRANTY PERIODS:

- Non-LED Lighting Products = 1-Year (365 Days) (Including Special Effect Lighting, Intelligent Lighting, UV lighting, Strobes, Fog Machines, Bubble Machines, Mirror Balls, Par Cans, Trussing, Lighting Stands, Power/Data Distribution, etc. excluding LED and lamps)
- Laser Products = 1-Year (365 Days) (excluding laser diodes which have a 6-Month Limited Warranty)
- LED Products = 2-Year (730 Days) (excluding batteries which have a 180 Day Limited Warranty)
- NOTE: 2-Year (730 Days) Limited Warranty ONLY applies to product purchased within the United States. StarTec Series = 1-Year (365 Days) (excluding batteries which have a 180 Day Limited Warranty)
- ADJ DMX Controllers = 2 Year (730 Days)
- American Audio Products = 1 Year (365 Days)

GENERAL INSTRUCTIONS

Please read these operating instructions carefully to familiarize yourself with the basic operations of this unit and optimize the performance of this product. These instructions contain important safety information regarding the use and maintenance of this unit. Please keep this manual with the unit for future reference.

FEATURES

- 2 DMX Channel Modes: 2 Channel and 9 Channel
- 3 Operating Modes: Sound Active, Show Mode, & DMX Control
- RGBWAP Hex LEDs
- UV LEDs
- Green & Red Lasers
- Internal Microphone
- Digital Display for Address and Function Setting
- Power Cord Daisy Chain
- UC IR Compatible (Not Included)

WARRANTY REGISTRATION

The Stinger II carries a 1 year limited warranty. Please fill out the enclosed warranty card to validate your purchase. All returned service items, whether under warranty or not, must be freight pre-paid and accompanied by a return authorization (R.A.) number. The R.A. number must be clearly written on the outside of the return package. A brief description of the problem as well as the R.A. number must also be written down on a piece of paper included in the shipping carton. If the unit is under warranty, you must provide a copy of your proof of purchase invoice. You may obtain an R.A. number by contacting our customer support team on our customer support number. All packages returned to the service department not displaying an R.A. number on the outside of the package will be returned to the shipper.

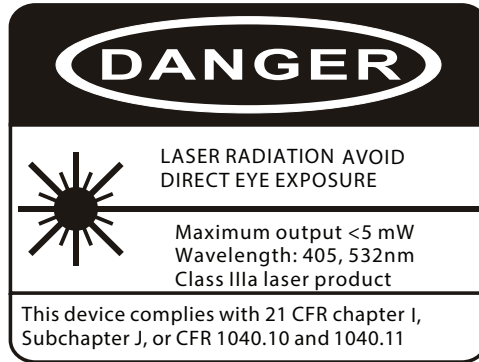
HANDLING PRECAUTIONS

Caution! There are no user serviceable parts inside this unit. Do not attempt any repairs yourself, as doing so will void your manufacturer's warranty. In the unlikely event your unit may require service, please contact ADJ Products, LLC.

During operation the housing may become extremely hot. Avoid touching the unit with bare hands while in use.

ADJ Products, LLC will not accept any liability for any resulting damages caused by the non-observance of this manual or any unauthorized modification to this unit.

SAFETY PRECAUTIONS

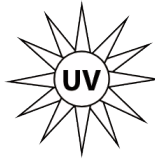


- **Safety Issues: This unit may “pop” the fuse if the maximum allotted load of 2 amps is reached or exceeded.**
- To reduce the risk of electrical shock or fire, do not expose this unit to rain or moisture.
- Do not spill water or other liquids into or on to your unit.
- Do not attempt to remove or break off the ground prong from the electrical cord. This prong is used to reduce the risk of electrical shock or fire in the event of an internal short.
- Do not attempt to operate this unit if the power cord has been frayed or broken.
- Disconnect from main power before making any type of connection.
- Do not remove the cover for any reason. There are no user serviceable parts inside.
- Always be sure to mount this unit in an area that will allow proper ventilation. Allow about 6” (15cm) between this device and a wall.
- Do not attempt to operate this unit if it has been damaged in any way.
- This unit is intended for indoor use only, and use of this product outdoors voids all warranties.
- During long periods of non-use, disconnect the unit’s main power.
- Always mount this unit in safe and stable matter.
- Power cords should be routed so they are not likely to be walked on, or pinched by items placed upon or against them.
- Cleaning - The fixture should be cleaned only as recommended by the manufacturer. See the **Cleaning** section of this manual for details.
- Heat - The appliance should be situated away from heat sources such as radiators, heat registers, stoves, or other appliances (including amplifiers) that produce heat.
- The fixture should be serviced by qualified service personnel when:
 - A. The power-supply cord or the plug has been damaged.
 - B. Objects have fallen onto, or liquid has been spilled into, the unit.
 - C. The unit has been exposed to rain or water.
 - D. The unit does not appear to operate normally or exhibits a marked change in performance.

SAFETY PRECAUTIONS

! CAUTION

**HIGH
INTENSITY
ULTRAVIOLET
LIGHT**



AVOID DIRECT EYE & SKIN EXPOSURE.
WEAR PROPER EYE & SKIN PROTECTION.
SEE MANUAL FOR SAFETY INSTRUCTIONS.

RISK GROUP 3 - RISK OF EXPOSURE TO ULTRAVIOLET (UV) RADIATION!

FIXTURE EMITS HIGH INTENSITY ULTRAVIOLET (UV) LIGHT AT A WAVELENGTH OF 398NM - 431NM.

WEAR PROPER EYE AND SKIN PROTECTION.

AVOID PROLONGED PERIODS OF EXPOSURE.

AVOID WEARING WHITE COLOR CLOTHING AND/OR USING (UV) PAINTS ON SKIN.

AVOID DIRECT EYE AND/OR SKIN EXPOSURE AT DISTANCES SHORTER THAN 11 feet (3.3m).

DO NOT OPERATE FIXTURE WITH DAMAGED OR MISSING EXTERNAL COVER PROTECTIVE LENS.

DO NOT LOOK DIRECTLY INTO THE (UV) LIGHT AND/OR VIEW (UV) LIGHT DIRECTLY WITH OPTICAL INSTRUMENTS THAT MAY CONCENTRATE THE LIGHT/RADIATION OUTPUT.

INDIVIDUALS SUFFERING FROM A RANGE OF EYE CONDITIONS, SUNLIGHT EXPOSURE DISORDERS, OR INDIVIDUALS USING PHOTSENSITIVE MEDICATION MAY EXPERIENCE DISCOMFORT IF EXPOSED TO THE ULTRAVIOLET (UV) LIGHT EMITTED FROM THIS FIXTURE.

LASER WARNINGS AND SAFETY

NON-INTERLOCKED HOUSING WARNING

This device contains high power laser devices. ***Do not*** open the laser housing, as doing so may result in exposure to unsafe levels of laser radiation. Without the protective housing in place, the laser power levels can cause instant blindness, skin burns, and fires.

STOP AND READ ALL LASER SAFETY DATA OPERATION INSTRUCTIONS AND LASER SAFETY

The light source emitted from this product can potentially cause eye injury if not set up and used properly. The light source emitted from a laser is very different from any other light sources that you may have had experience with. Laser light is thousands of times more concentrated than light from any other kind of light source. This concentration of light can cause instant eye injuries, primarily by burning the retina (the back of your eyeball containing cells that are sensitive to light). Even if you cannot feel “heat” from a laser beam, it still has the potential to injure or blind you or your audience. Even very small amounts of laser beam light are potentially hazardous, even at long distances. Laser eye injuries can be sustained faster than you can blink.

Although this device splits the laser beam into hundreds of beams and the laser beam is scanned out at high speed, **EVEN A SINGLE, INDIVIDUAL LASER BEAM IS NOT SAFE FOR EYE EXPOSURE.** This laser uses dozens of milliwatts of laser power (Class 3B levels internally) before it splits into multiple beams (Class 3R levels). Many of the individual beams are potentially hazardous to the eyes.

THE FACT THAT THE LASER IS IN MOTION DOES NOT MEAN THAT IS IS SAFE. Furthermore, the laser beams are not always in motion. Since eye injuries can occur instantly, it is critical to prevent even the smallest possibility of any direct eye exposure.

SAFETY REGULATIONS STATE CLEARLY THAT IT IS ILLEGAL TO AIM CLASS 3R LASERS AT AREAS WHERE PEOPLE COULD POTENTIALLY BE EXPOSED. This is true even if it is aimed below people’s faces, such as on a dance floor.

DO NOT OPERATE THE LASER WITHOUT FIRST READING AND UNDERSTANDING ALL SAFETY AND TECHNICAL DATA IN THIS MANUAL.

Always set up and install all laser effects so that all laser light is aimed at least 3 meters (9.8 feet) above the floor where people may be standing.

LASER WARNINGS AND SAFETY

After the device has been set up, and prior to public use, test the laser to ensure proper function. Do not use if defects of any kind are detected. **DO NOT USE IF LASER EMITS ONLY ONE OR TWO LASER BEAMS RATHER THAN DOZENS/HUNDREDS**, as this could indicate damage to the diffraction grating optic, and could allow emission of higher laser levels above Class 3R.

Do not point lasers at people or animals. Never look into the laser aperture or laser beams.

Do not point lasers in areas in which people can potentially get exposed, such as uncontrolled balconies, etc.

Do not point lasers at highly reflective surfaces, such as windows, mirrors, and shiny metal. Even laser reflections can be hazardous.

NEVER POINT A LASER AT AIRCRAFT. THIS IS A FEDERAL OFFENSE.

Never point un-terminated laser beams into the sky.

Do not expose the output optic (aperture) to cleaning chemicals.

Do not use laser if the laser appears to be emitting only one or two beams.

Do not use the laser if the housing is damaged, if the housing is open, or if the optics appear damaged in any way.

Never open the laser housing. The high laser power levels inside of the protective housing can start fires, burn skin, and will cause instant eye injury.

Never leave this device running unattended.

The operation of a class 3R laser show is only allowed if the show is controlled by a skilled and well-trained operator who is familiar with the information presented in this manual.

The legal requirements for using laser entertainment products vary from country to country. The user is responsible for the legal requirements at the location/country of use.

Always use proper lighting safety cables when hanging lights and effects overhead.

SETUP

Power Supply: The ADJ Stinger II contains an automatic voltage switch, which will automatically sense the voltage when it is plugged into the power source. With this switch there is no need to worry about the correct power voltage, and this unit can be plugged in anywhere.

DMX-512: DMX is short for Digital Multiplex. This is a universal protocol used by most lighting and controller manufactures as a form of communication between intelligent fixtures and controllers. A DMX controller sends DMX data instructions from the controller to the fixture. DMX data is sent as serial data that travels from fixture to fixture via the DATA “IN” and DATA “OUT” XLR terminals located on all DMX fixtures (most controllers only have a DATA “OUT” terminal).

DMX Linking: DMX is a language allowing all makes and models of different manufacturers to be linked together and operate from a single controller, as long as all fixtures and the controller are DMX compliant. To ensure proper DMX data transmission, try to use the shortest cable path possible when linking several DMX fixtures. The order in which fixtures are connected in a DMX line does not influence the DMX addressing. For example, a fixture assigned a DMX address of 1 may be placed anywhere in a DMX line: at the beginning, at the end, or anywhere in the middle. When a fixture is assigned a DMX address of 1, the DMX controller knows to send DATA assigned to address 1 to that unit, no matter where it is located in the DMX chain.

Data Cable (DMX Cable) Requirements: The Stinger II can be controlled via DMX-512 protocol. The Stinger II is has 2 DMX channel modes: a 2 channel mode and 9 channel mode. The DMX address is set electronically using the controls on the back panel of the unit. Your unit and your DMX controller require a approved DMX-512 110 Ohm Data cable for data input and data output (Figure 1). We recommend Accu-Cable DMX cables. If you are making your own cables, be sure to use standard 110-120 Ohm shielded cable (This cable may be purchased at almost all professional sound and lighting stores). Your cables should be made with a male XLR connector at one end and a female XLR connector at the other. Also remember that DMX cable must be daisy chained and cannot be split.



Figure 1

SETUP

Notice: Be sure to follow figures two and three when making your own cables. Do not use the ground lug on the XLR connector. Do not connect the cable's shield conductor to the ground lug or allow the shield conductor to come in contact with the XLR's outer casing. Grounding the shield could result in a short circuit and erratic behavior



Figure 2

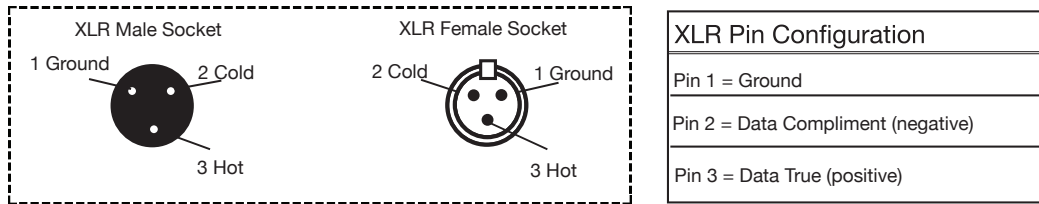
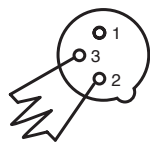


Figure 3

Special Note: Line Termination. When longer runs of cable are used, you may need to use a terminator on the last unit to avoid erratic behavior. A terminator is a 110-120 ohm 1/4 watt resistor which is connected between pins 2 and 3 of a male XLR connector (DATA+ and DATA-). This unit is inserted into the female XLR connector of the last unit in your daisy chain to terminator the line. Using a cable terminator (ADJ part number Z-DMX/T) will reduce the risk of erratic behavior.



Termination reduces signal errors and avoids signal transmission problems and interference. It is always advisable to connect a DMX terminal, (Resistance 120 Ohm 1/4 W) between PIN 2 (DMX-) and PIN 3 (DMX +) of the last fixture.

Figure 4

5-Pin XLR DMX Connectors. Some manufacturers use 5-pin XLR connectors for DATA transmission in place of 3-pin. 5-pin XLR fixtures may be implemented in a 3-pin XLR DMX line by using a cable adapter. These adaptors are readily available at most electric stores. The chart below details a proper cable conversion.

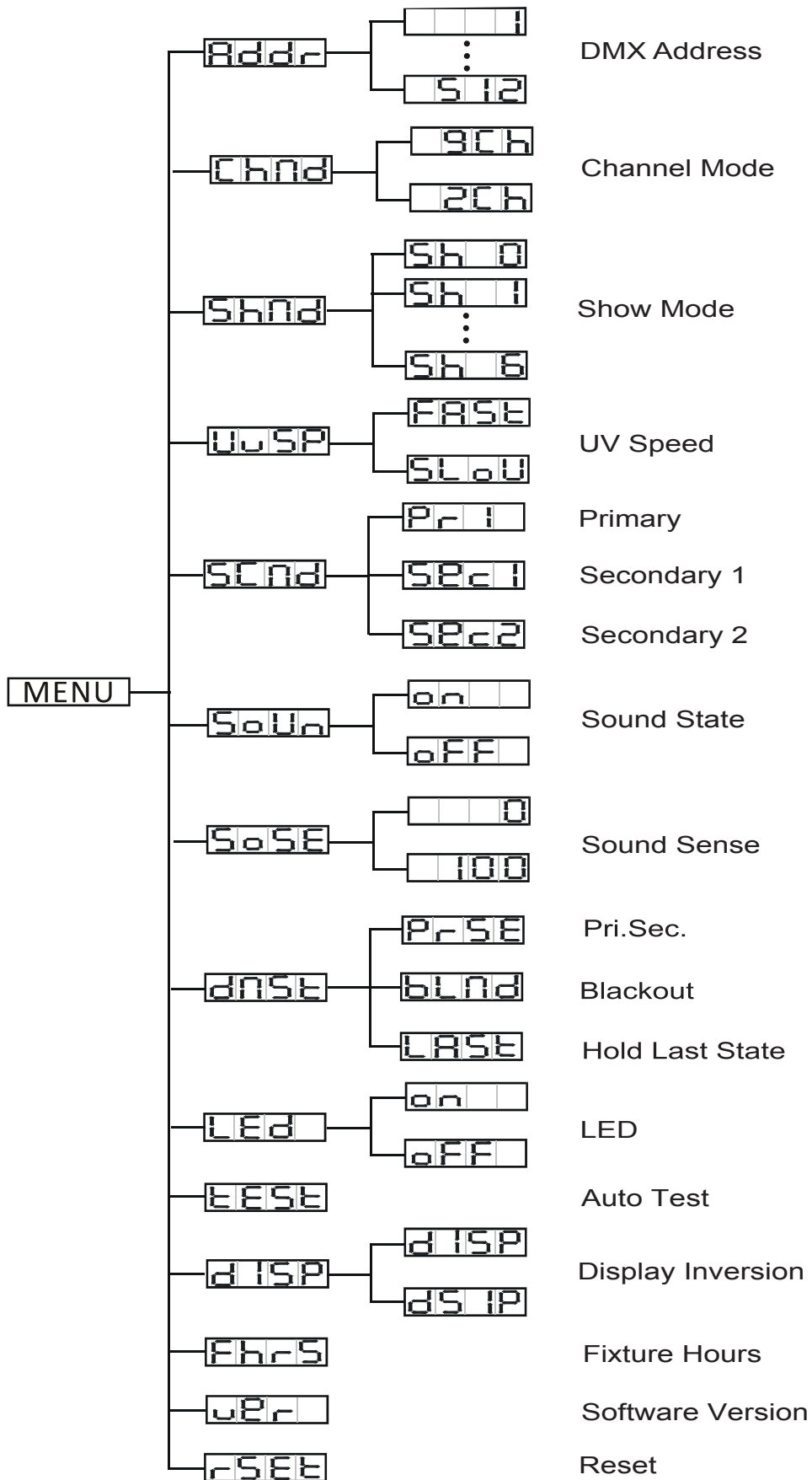
3-Pin XLR to 5-Pin XLR Conversion		
Conductor	3-Pin XLR Female (Out)	5-Pin XLR Male (In)
Ground/Shield	Pin 1	Pin 1
Data Compliment (- signal)	Pin 2	Pin 2
Data True (+ signal)	Pin 3	Pin 3
Not Used		Pin 4 - Do Not Use
Not Used		Pin 5 - Do Not Use

INSTALLATION

The unit should be mounted using a mounting clamp (not provided), and affixing the clamp to the mounting bracket that is provided with the unit. Always ensure that the unit is firmly fixed to avoid vibration and slipping during operation. Always ensure that the structure to which you are attaching the unit is secure and is able to support at least 10 times the unit's weight. Also, always use a safety cable that can hold at least 12 times the weight of the unit when installing the fixture.

The equipment must be installed by a professional, and it must be installed in a place where it is out of the reach of the general public's grasp.

SYSTEM MENU



SYSTEM MENU

System Menu: When making adjustments, press **ENTER** to confirm your setup, then press and hold the **MENU** button for at least 3 seconds. To exit without making any adjustments, press the **MENU** button. The display will lock after 30 seconds after 30 seconds of inactivity, and can be unlocked by pressing the **MENU** button for 3 seconds.

ADDR - DMX Address Setting.

1. Press the either the **MENU**, **UP**, or **DOWN** buttons until “**ADDR**” is displayed, then press **ENTER**.
2. The currently selected address will now be displayed and flashing. Press the **UP** or **DOWN** buttons to scroll to your desired address. Press **ENTER** to set your desired DMX address.

CHND - This will let select your desired DMX channel mode.

1. Press the **MENU** button until “**CHND**” is displayed, then press **ENTER**. The currently selected DMX channel mode will be displayed.
2. Press the **UP** or **DOWN** buttons to find your desired DMX channel mode and press **ENTER** to confirm and exit.

SHND - Show modes 0-7 (Factory programs).

1. Press the **MENU** button until “**SHND**” is displayed, then press **ENTER**.
2. “**Sh X**” will now be displayed, where “**X**” represents a number between 0-7. Shows 1-7 are factory programs, while show “**0**” is random mode. Use the **UP** or **DOWN** buttons to scroll to your desired show.
3. When you have found your desired show, press **ENTER**, then press and hold the **MENU** button for at least 3 seconds to activate. After you have set your desired show, it can be changed at any time using the **UP** or **DOWN** buttons.

UVSP - UV activation/speed control.

1. Press the **MENU** button until “**UVSP**” is displayed, then press **ENTER**.
2. The display will show either “**FAST**” or “**SLOW**”. Use the **UP** and **DOWN** buttons to highlight your selection.
3. Press **ENTER** to confirm.

SEcd - This will let you set unit as a primary or secondary in a primary/secondary configuration.

1. Press the **MENU** button until “**SEcd**” is displayed, then press **ENTER**. Either “**PRI**”, “**SEC1**”, or “**SEC2**” will be displayed.
2. Press the **UP** or **DOWN** buttons until your desired setting is displayed, then press **ENTER** to confirm.

NOTE: When the secondary fixture is set to “**SEC2**”, its movement will be set to contrast with the movement of the primary fixture.

SOUN - Sound Active mode.

1. Press the **MENU** button until “**SOUN**” is displayed, then press **ENTER**.
2. The display will show either “**ON**” or “**OFF**”. Press the **UP** or **DOWN** buttons to select “**ON**” to activate sound active mode, or “**OFF**” to deactivate sound active mode.
3. Press **ENTER** to confirm.

SYSTEM MENU

SOSE - In this mode you can adjust the sound sensitivity.

1. Press the MENU button until "SOSE" is displayed, then press ENTER.
2. A number between 0-100 will be displayed. Press the UP or DOWN buttons to adjust the sound sensitivity. 0 is the least sensitive, and 100 is the most sensitive.
3. When you have found your desired setting, press ENTER to confirm.

DNST - This mode defines how the fixture will behave in the event that the DMX signal is lost or interrupted, or the mode the the unit will return to when it is powered up.

1. Press the MENU button until "DNST" is displayed, and either "PRI", "BLND", or "LAST" will be displayed beneath, depending on the currently selected option.
2. Press ENTER and the bottom choice will begin to flash. Use the UP or DOWN buttons to select the desired operating mode.
 - *LAST* - If the DMX signal is lost, the fixture will stay in the last DMX setting. If power is applied and this mode is set, the unit will automatically go into the last DMX set up.
 - *PRI (Primary Secondary)* - If the DMX signal is lost or power is applied, the unit will automatically go into Primary Secondary mode and run a built-in show.
 - *BLND (Blackout)* - If the DMX signal is lost or interrupted, the unit will automatically go into stand by mode.
3. Press ENTER to confirm your desired set up.

LED - With this function, the user can set the LED display to turn off after 10 seconds of inactivity.

1. Press the MENU button until "LED" is displayed, then press ENTER.
2. The display will show either "ON" or "OFF". Press the UP or DOWN buttons to select "ON" to keep the LED display on at all times, or "OFF" to switch to have the LED display switch off after 10 seconds of inactivity.

TEST - This function will run a self test program.

1. Press the MENU button until "TEST" is displayed, then press ENTER.
2. The fixture will now run a self test.

DISP - This function will reverse the display 180°.

1. Press the MENU button until "DISP" is displayed, then press ENTER.
2. Press ENTER to "flip" the display. Press ENTER to "flip" it again.
3. Press ENTER to confirm. To make you LED display reappear again press any button.

FHRS - Display the running time of the unit.

1. Press the MENU button until "FHRS" is displayed, then press ENTER.
2. The running time of the fixture will now be displayed. Press MENU to exit.

VER - Use this function to display the Software version of the unit.

1. Press the either the MENU button until "VER" is displayed, then press ENTER.
2. The display will show the software version.

RSET - This function will reset the unit.

Press the MENU button until "RSET" is displayed. Press the ENTER button and the unit will reset itself.

OPERATION

Universal DMX Control: This function allows you to use a universal DMX-512 controller to control the patterns, rotation, and strobing. A DMX controller allows you to create unique programs tailored to your individual needs.

1. The Stinger II features 2 DMX channel modes: a 2 channel mode and a 9 channel mod. See the **DMX Traits** section of this manual for detailed information.
2. To control your fixture in DMX mode, follow the procedures outlined in the **Set Up** section of this manual, as well as the set-up specifications that are included with your DMX controller.
3. Follow the instructions in the **System Menu** section of this manual to set the DMX address and channel mode.
4. For longer cable runs (more than a 100 feet) use a terminator on the last fixture.
5. For help operating in DMX mode, consult the manual included with your DMX controller.

Sound Active Mode: This mode allows either a single unit or several units linked together to run to the beat of the music.

1. Press the MENU button until “Soun” is displayed, and press ENTER.
2. Press the UP or DOWN buttons to either activate or deactivate sound active mode, and press ENTER. The unit will now run to the beat of the music.
3. The sound sensitivity can be adjusted by pressing the MENU button until “Sose” is displayed, and then pressing ENTER. Use the UP or DOWN buttons to adjust the sound sensitivity. 0 is the least sensitive, and 99 is the most sensitive.

Show Mode: This mode allows either a single unit or several units linked together to run to a built-in program.

1. Press the MENU button until “Shnd” is displayed, and press ENTER.
2. Press the UP or DOWN buttons to find your desired show and press ENTER. The unit will now run your chosen built-in program.

PRIMARY-SECONDARY SET UP

This function will allow you to link up to 16 units together and operate without a controller. In a Primary-Secondary set up, one unit will act as the controlling unit and the others will react to the controlling unit's programs. Any unit can act as a Primary or as a Secondary.

1. Using approved DMX data cables, daisy chain your units together via the XLR connectors on the rear panel of the each unit. Remember that the male XLR connector is the input and the female XLR connector is the output. The first unit in the chain (primary) will use the female XLR connector only, and the last unit in the chain will use the male XLR connector only. For longer cable runs, it is recommended to use a terminator on the last fixture.
2. On the Primary unit press the MENU button until "SEcd" is displayed, and press ENTER. Use the UP and DOWN buttons to scroll to the "PRI" setting and press ENTER.
3. After setting the Primary unit to the primary setting, find and set your desired operating mode.
4. On each secondary unit, press the MENU button until "SEcd" is displayed, and press ENTER. Choose either "SEC1" or "SEC2" and press ENTER.
5. The secondary units will now follow the Primary.

POWER CORD DAISY CHAIN

This feature allows the user to connect the fixtures to one another using the IEC input and output sockets.

The maximum number of units that can be connected in this manner is 10 fixtures. Once this number has been reached, a new power outlet is required to accommodate any additional units.

All connected fixtures must be of the same make and model type. Do NOT mix and match fixtures models!

UC IR CONTROL

The UC IR infrared remote (sold separately) allows the user to control various functions, as described below. To control the fixture, the remote must be aimed at the front of the fixture. Maximum range is 30 feet. **Please note that the UC IR remote can only be used when the fixture is in Primary mode.**

STAND BY - Pressing this button will blackout the fixture. Press the button again to return to the initial state.

FULL ON - Hold this button down to fully illuminate the unit. When the button is released, the unit will return to its previous state.

STROBE - Press and hold this button for strobing. (Strobing works for software version 1.3 and newer).

FADE/GOBO - This button has no active function for this unit.

“DIMMER +” and “DIMMER -” - These buttons have no active function for this unit.

COLOR - Press this button to activate color mode. Use buttons 1-9 to select your desired color.

1-9 - Use buttons 1-9 to select your desired color when color mode is active.

SOUND ON & OFF - Use these buttons to activate and deactivate sound active mode.

SHOW 0 - Press this button to activate show mode. Use buttons 1-6 to select your desired show.

DMX TRAITS

CHANNEL		DMX VALUES	FUNCTION
2CH	9CH		
1	1		Show Mode
		000 - 009	No function
		010 - 044	Show 1
		045 - 079	Show 2
		080 - 114	Show 3
		115 - 149	Show 4
		150 - 184	Show 5
		185 - 219	Show 6
	220 - 255	Random Show	
2			Show Speed / Sound Sense
		000 - 247	Show Speed, slow to fast
		248 - 255	Sound Active
	2		Color Macro
		000 - 009	No function
		010 - 198	Color Change
		199 - 225	Color Fade 1
	226 - 255	Color Fade 2	
	3		LED Strobe
		000 - 009	No Strobe
		010 - 244	LED Strobe, slow to fast
		245 - 255	Sound Active Strobing
	4		UV LEDs
		000 - 134	Blackout
		135 - 255	UV Chase
	5		UV LED Strobe & Chase Speed
		000 - 127	Chase, No Strobe, slow to fast
		128 - 255	Chase, Strobing, slow to fast
	6		Lasers
		000 - 009	Blackout
		010 - 049	Red Laser
		050 - 089	Green Laser
		090 - 129	Red and Green Lasers
		130 - 169	Red and Green Lasers Flicker
		170 - 209	Green and Red Lasers Flicker Lasers
		210 - 249	Red and Green Lasers Flicker in Sync
250 - 255	Red and Green Lasers Alternating Flicker		
CONTINUED ON NEXT PAGE			
CHANNEL		DMX VALUES	FUNCTION
2CH	9CH		

DMX TRAITS

	7		<i>Laser Strobe Control</i>
		000 - 009	No Strobe
		010 - 244	Strobing, slow to fast
		245 - 255	Sound Active Strobing
	8		<i>LED Rotation</i>
		000 - 009	No Rotation
		010 - 127	Clockwise Rotation, slow to fast
		128 - 255	Counter-Clockwise Rotation, slow to fast
	9		<i>Laser Rotation</i>
		000 - 127	Laser Patterns
		128 - 255	Pattern Chase, slow to fast

FUSE REPLACEMENT

Disconnect the unit from its power source, then remove the power cord from the unit. Locate the fuse holder inside the power socket, then insert a flat-head screw driver into the power socket and gently pry out the fuse holder. Remove the bad fuse and replace with a new one. Please note that the fuse holder also contains a slot for holding a spare fuse.

CLEANING

Due to fog residue, smoke, and dust, cleaning the internal and external optical lenses and mirror should be carried out periodically in order to optimize light output. Cleaning frequency depends on the environment in which the fixture operates (i.e. smoke, fog residue, dust, dew). In heavy club use, cleaning on a monthly basis is recommended, and such periodic cleaning will ensure fixture longevity and crisp output.

- Use normal glass cleaner and a soft cloth to wipe down the outside casing.
- Use a brush to wipe down the cooling vents and fan grill.
- Clean the internal and external optics and mirror with glass cleaner and a soft cloth on a regular basis.
- Always be sure to dry all parts completely before reassembling the unit and plugging it back in.

TROUBLE SHOOTING

Listed below are a few common problems may occur, along with potential solutions.

No light output from the unit:

- Check that the external fuse has not blown. The fuse is located on the rear panel of the unit.
- Check that the fuse holder is fully and properly seated.

Unit does not respond to sound:

- Low frequencies (bass) will trigger the sound active reaction. Tapping on the microphone or quiet or high pitched sounds may not activate the unit.
- Check that sound sensitivity is enabled, and adjust if necessary.

SPECIFICATIONS

- High output 3-FX-In-1: Moonflower, Strobe and Laser effect with 6 x 5W RGBAWP HEX LED's + 8 x 3W UV LED's + Red & Green Lasers technology produces color-changing beams of light
- Dozens of razor sharp beams fill a dance floor, ceiling or wall
- Using a 1.8 Degree Long Life Stepper motor Technology it can produce quick accurate movement or smooth fluid move movements for mood music
- 2 DMX Channel modes: 2 Channels & 9 Channels
- 3 Operating Modes - Show Mode; Sound Active; DMX Controlled
- Stand Alone or Primary/Secondary Configuration
- Produces 15 Preset Colors
- Linkable via 3-pin XLR cable
- With Wired Digital Communication Network
- 4-button DMX display on rear panel
- Strobe & Pulse LED Effect
- DMX-512 Protocol
- Electronic Dimming: 0 - 100%
- Runs extremely cool! - NO Duty Cycles! - Run all night!
- IEC AC IN/OUT on rear to daisy chain power
- Safety Loop on rear panel
- Power Consumption: 70W
- Fuse: 2Amp
- Compatible with ADJ UC IR wireless remote
- I.E.C. In & Out to Daisy chain Power (Connect up to 10 Fixtures)
- Multi Voltage: 100V~240V, 50/60Hz
- Long life LEDs (Rated at approximately 50,000 hours)
- Light Source: 6 x 5W RGBA + White & Pink LED's + 8 x 3W UV LED's + Red & Green Laser
- Dimensions (L x W x H): 12" x 9"x 9.75" / 304x230.5x248mm
- Weight: 11 lbs. / 5kg.
- Laser Accession No. 1510707-000

This page intentionally left blank.

