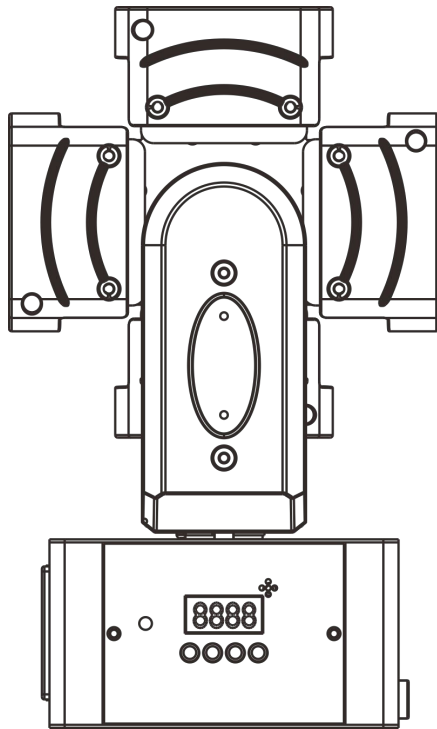




XS 400



User Instructions

©2015 ADJ Products, LLC all rights reserved. Information, specifications, diagrams, images, and instructions herein are subject to change without notice. ADJ Products, LLC logo and identifying product names and numbers herein are trademarks of ADJ Products, LLC. Copyright protection claimed includes all forms and matters of copyrightable materials and information now allowed by statutory or judicial law or hereinafter granted. Product names used in this document may be trademarks or registered trademarks of their respective companies and are hereby acknowledged. All non-ADJ Products, LLC brands and product names are trademarks or registered trademarks of their respective companies.

ADJ Products, LLC and all affiliated companies hereby disclaim any and all liabilities for property, equipment, building, and electrical damages, injuries to any persons, and direct or indirect economic loss associated with the use or reliance of any information contained within this document, and/or as a result of the improper, unsafe, insufficient and negligent assembly, installation, rigging, and operation of this product.

Europe Energy Saving Notice

Energy Saving Matters (EuP 2009/125/EC)

Saving electric energy is a key to help protecting the environment. Please turn off all electrical products when they are not in use. To avoid power consumption in idle mode, disconnect all electrical equipment from power when not in use. Thank you!

XS 400

General Information

Unpacking: Thank you for purchasing the XS 400 by ADJ Products, LLC. Every XS 400 has been thoroughly tested and has been shipped in perfect operating condition. Carefully check the shipping carton for damage that may have occurred during shipping. If the carton appears to be damaged, carefully inspect your fixture for any damage and be sure all equipment necessary to operate the unit has arrived intact. In the event damage has been found or parts are missing, please contact our toll free customer support number for further instructions. Please do not return this unit to your dealer without contacting customer support first.

Introduction: The ADJ XS 400 is a new revolution in moving lights. It features a single Axis head that has continuous 360 degree tilt rotation. The XS 400 can operate as a stand alone fixture or in a Master/Slave configuration. The XS 400 has three operating modes; sound active mode, show mode, and DMX control. This fixture is suitable for theaters, studios, retail stores, and other similar locations. *For best results use fog or special effects smoke to enhance the beams projections.*

Customer Support: ADJ Products, LLC provides a toll free customer support line, to provide help and to answer any question should you encounter problems during your set up or initial operation. You may also visit us on the web at www.adj.com for any comments or suggestions. Service Hours are Monday through Friday 8:00 a.m. to 4:30 p.m. Pacific Standard Time.

Voice: (800) 322-6337

Fax: (323) 582-2941

E-mail: support@americandj.com

Warning! To prevent or reduce the risk of electrical shock or fire, do not expose this unit to rain or moisture.

Caution! There are no user serviceable parts inside this unit. Do not attempt any repairs yourself, doing so will void your manufactures warranty. In the unlikely event your unit may require service please contact ADJ Products, LLC.

ADJ Products, LLC will not accept any liability for any resulting damages caused by the non-observance of this manual or any unauthorized modification to this unit.

XS 400

General Instructions

To optimize the performance of this product, please read these operating instructions carefully to familiarize yourself with the basic operations of this unit. These instructions contain important safety information regarding the use and maintenance of this unit. Please keep this manual with the unit, for future reference.

XS 400

Features

- Multi-Colors
- 3 Operating Modes - Sound Active, Show Mode, and DMX Control
- 2 DMX Channel Modes (16 Channel Mode, & 18 Channel Mode)
- Stand Alone or Master-Slave Setup
- Internal Microphone
- Digital Display for Address and Function Setting
- Power Cord Daisy Chain (See page 15)
- UC IR Compatible (Not Included) & Airstream IR Comptiable

XS 400

Warranty Registration

The XS 400 carries a 2 year (730 days) limited warranty. Please fill out the enclosed warranty card to validate your purchase and warranty. You may also register your product online at www.americandj.com. All returned service items whether under warranty or not, must be freight pre-paid and accompany a return authorization (R.A.) number. If the unit is under warranty you must provide a copy of your proof of purchase invoice. Please contact ADJ Products, LLC customer support for a R.A. number.

XS 400

Installation

The unit should be mounted using a mounting clamp (not provided), affixing it to the mounting bracket that is provided with the unit. Always ensure that the unit is firmly fixed to avoid vibration and slipping while operating. Always ensure that the structure to which you are attaching the unit is secure and is able to support a weight of 10 times the unit's weight. Also, always use a safety cable that can hold 12 times the weight of the unit when installing the fixture. The equipment must be installed by a professional, and it must be installed in a place where it is out of the reach of people's grasp.

For Your Own Personal Safety, Please Read and Understand This Manual Completely Before You Attempt To Install Or Operate This Unit!

- To reduce the risk of electrical shock or fire, do not expose this unit rain or moisture
- Do not spill water or other liquids into or on to your unit.
- Be sure that the local power outlet match that of the required voltage for your unit.
- Do not attempt to operate this unit if the power cord has been frayed or broken.
- Do not attempt to remove or break off the ground prong from the electrical cord. This prong is used to reduce the risk of electrical shock and fire in case of an internal short.
- Disconnect from main power before making any type of connection.
- Do not remove the cover under any conditions. There are no user serviceable parts inside.
- Never operate this unit when it's cover is removed.
- Always be sure to mount this unit in an area that will allow proper ventilation. Allow about 6" (15cm) between this device and a wall.
- Do not attempt to operate this unit, if it becomes damaged.
- This unit is intended for indoor use only, use of this product outdoors voids all warranties.
- Always mount this unit in safe and stable matter.
- Power-supply cords should be routed so that they are not likely to be walked on or pinched by items placed upon or against them, paying particular attention to cords at plugs, convenience receptacles, and the point where they exit from the appliance.
- Cleaning -The fixture should be cleaned only as recommended by the manufacturer. See page 22 for cleaning details.
- Heat -This fixture should be situated away from heat sources such as radiators, heat registers, stoves, or other appliances (including amplifiers) that produce heat.
- The fixture should be serviced by qualified service personnel when:
 - A. Objects have fallen, or liquid has been spilled into the appliance.
 - B. The appliance has been exposed to rain or water.
 - C. The appliance does not appear to operate normally or exhibits a marked change in performance.

Power Supply: The ADJ XS 400 contains a automatic voltage switch, which will auto sense the voltage when it is plugged into the power source. With this switch there is no need to worry about the correct power voltage, this unit can be plugged in anywhere.

DMX-512: *DMX is short for Digital Multiplex. This is a universal protocol used by most lighting and controller manufactures as a form of communication between intelligent fixtures and controllers. A DMX controller sends DMX data instructions from the controller to the fixture. DMX data is sent as serial data that travels from fixture to fixture via the DATA "IN" and DATA "OUT" XLR terminals located on all DMX fixtures (most controllers only have a DATA "OUT" terminal).*

DMX Linking: DMX is a language allowing all makes and models of different manufactures to be linked together and operate from a single controller, as long as all fixtures and the controller are DMX compliant. *To ensure proper DMX data transmission, when using several DMX fixtures try to use the shortest cable path possible. The order in which fixtures are connected in a DMX line does not influence the DMX addressing. For example; a fixture assigned a DMX address of 1 may be placed anywhere in a DMX line, at the beginning, at the end, or anywhere in the middle. Therefore, the first fixture controlled by the controller could be the last fixture in the chain. When a fixture is assigned a DMX address of 1, the DMX controller knows to send DATA assigned to address 1 to that unit, no matter where it is located in the DMX chain.*

Data Cable (DMX Cable) Requirements (For DMX and Master/Slave Operation):

The XS 400 can be controlled via DMX-512 protocol. The XS 400 has 2 DMX Channel Modes. The DMX address is set electronically using the controls on the front panel of the unit. Your unit and your DMX controller require a approved DMX-512 110 Ohm Data cable for data input and data output (Figure 1). We recommend Accu-Cable DMX cables. If you are making your own cables, be sure to use standard 110-120 Ohm shielded cable (This cable may be purchased at almost all professional sound and lighting stores). Your cables should be made with a male and



Figure 1

female XLR connector on either end of the cable. Also remember that DMX cable must be daisy chained and cannot be split.

Notice: Be sure to follow figures two and three when making your own cables. Do not use the ground lug on the XLR connector. Do not connect the cable's shield conductor to the ground lug or allow the shield conductor to come in contact with the XLR's outer casing. Grounding the shield could cause a short circuit and erratic behavior.



Figure 2

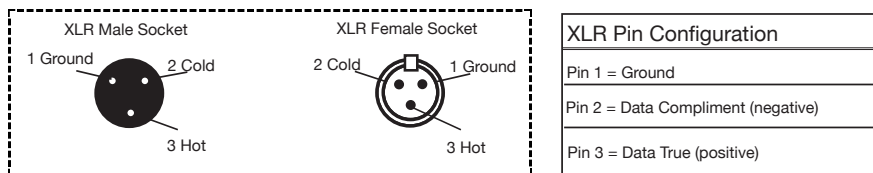


Figure 3

Special Note: Line Termination. When longer runs of cable are used, you may need to use a terminator on the last unit to avoid erratic behavior. A terminator is a 110-120 ohm 1/4 watt resistor which is connected between pins 2 and 3 of a male XLR connector (DATA + and DATA -). This unit is inserted in the female XLR connector of the last unit in your daisy chain to terminate the line. Using a cable terminator (ADJ part number Z-DMX/T) will decrease the possibilities of erratic behavior.

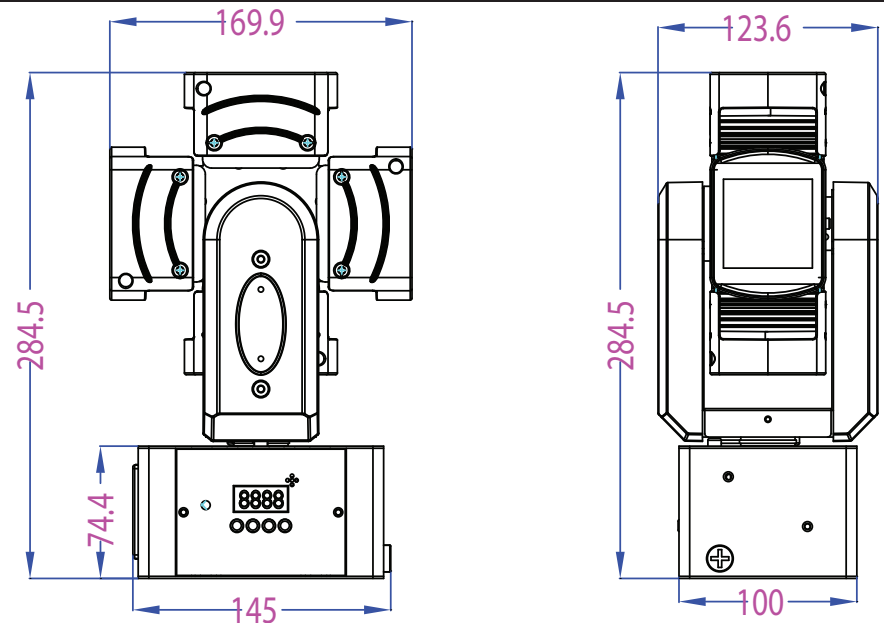


Termination reduces signal errors and avoids signal transmission problems and interference. It is always advisable to connect a DMX terminal, (Resistance 120 Ohm 1/4 W) between PIN 2 (DMX-) and PIN 3 (DMX +) of the last fixture.

Figure 4

5-Pin XLR DMX Connectors. Some manufactures use 5-pin DMX-512 data cables for DATA transmission in place of 3-pin. 5-pin DMX fixtures may be implemented in a 3-pin DMX line. When inserting standard 5-pin data cables in to a 3-pin line a cable adaptor must be used, these adaptors are readily available at most electric stores. The chart below details a proper cable conversion.

3-Pin XLR to 5-Pin XLR Conversion		
Conductor	3-Pin XLR Female (Out)	5-Pin XLR Male (In)
Ground/Shield	Pin 1	Pin 1
Data Compliment (- signal)	Pin 2	Pin 2
Data True (+ signal)	Pin 3	Pin 3
Not Used		Pin 4 - Do Not Use
Not Used		Pin 5 - Do Not Use



MENU	Addr	A001 A512	Starting DMX address
	Chnd	16CH 18CH	16CH=8bit 18CH=16bitDMX mode
	StAl	nASt SLAu	nASt=Master SLAu=Slave
	Shnd	Show0 Show8	Internal show, 0-8
	Sond	ON OFF	Show to sound
	SoSE	005 255	Sound sensitivity, low~High 005-255
	LASt	BLAc HOLD SHOu	BLAc=blackout HOLD=Holdast values SHOu>Showmode
	DiND	StAn StAG tU ArCH tHE	StAn=Standard StAG=Stage tU=TV ArCH=Architectural tHE=Theatre
	Plnt	ON OFF	On=Counterclockwise OFF=Clockwise
	tIL	OFF ON	OFF=Clockwise On=Counterclockwise
	bAcl	on OFF	Display back light
	dISP	OFF on	Off=normal On=reverse
	Nan	CH01 CH18	000-255
	Hrs		Total running hours
	Uer	Vx.x	Current software version
	rESt	on OFF	All motors reset
	BALA	rED 050-255 GrEN 050-255 BluE 050-255 Uht 050-255	White balance adjust

System Menu: When making adjustments press ENTER to confirm your setup then press and hold the MENU button for at least 3 seconds. To exit without making any adjustments press the MENU button. The display will lock after 30 seconds, press the MENU button for 3 seconds to unlock.

ADDR - DMX Address Setting.

1. Press the either the MENU, UP, or DOWN buttons until “ADDR” is displayed, press ENTER.
2. The current address will now be displayed and flashing. Press the UP or DOWN buttons to find your desired address. Press ENTER to set your desired DMX address.

CHND - This will let select your desired DMX channel mode.

1. Press the MENU button until “CHND” is displayed, press ENTER. The current DMX channel mode will be displayed
2. Press the UP or DOWN buttons to find your desired DMX channel mode and press ENTER to confirm and exit.

STAL - This will let you set unit as a master or slave in a master/slave configuration.

1. Press the MENU button until “STAL” is displayed, press ENTER. Either “MAST” or “SLAv” will be displayed.
2. Press the UP or DOWN buttons until your desired setting is displayed, press ENTER to confirm.

SHND - Show modes 0-8 (Factory programs).

1. Press the MENU button until “SHND” is displayed, press ENTER.
2. “Sh X” will now be displayed, “X” representing a number between 0-8. Shows 1-8 are preset shows, while “Show 0” is random show. Press the UP or DOWN buttons to find your desired show and press

ENTER to confirm. After pressing ENTER, press and hold the MENU button for at least 3 seconds to activate.

3. When you have found your desired show press ENTER, then press and hold the MENU button for at least 3 seconds to activate. After you have set your desired show, it can be changed at any time using the UP or DOWN buttons.

SOND - Sound Active mode.

1. Press the MENU button until “**SOND**” is displayed, press ENTER.
2. The display will show either “**ON**” or “**OFF**”. Press the UP or DOWN buttons to select “**ON**” to activate sound active mode, or “**OFF**” to deactivate sound active mode.
3. Press ENTER to confirm.

SOSE - In this mode you can adjust the sound sensitivity.

1. Press the MENU button until “**SOSE**” is displayed, press ENTER.
2. A number between 5-255 will be displayed. Press the UP or DOWN buttons to adjust the sound sensitivity. 5 being the least sensitive, and 255 being the most sensitive.
3. When you have found your desired setting press ENTER to confirm.

LAST - This mode can be used as a precaution mode, that in case the DMX signal is lost, interrupted, or power is lost, the operating mode chosen in the setup is the running mode the fixture will go into when the DMX signal is lost. You can also set this as the operating mode you would like the unit to return to when power is applied.

1. Press the MENU button until “**LAST**” is displayed, and either “**BLAC**”, “**HOLD**”, or “**SHOU**” will be displayed beneath.
2. Press ENTER and the bottom choice will begin to flash. Use the UP or DOWN buttons to choose an operating mode you would like the unit

to start up in when power is applied or the DMX signal is lost.

- **HOLD** - If the DMX signal is lost the fixture will stay in the last DMX setting. If power is applied and this mode is set, the unit will automatically go into the last DMX set up.
 - **SHOU** (Show Mode) - If the DMX signal is lost or power is applied, the unit will automatically run a built-in show.
 - **BLAC** (Blackout) - If the DMX signal is lost or interrupted, the unit will automatically go into stand by mode.
3. Press ENTER to confirm your desired set up.

DIND - This will let select your desired dimmer curve.

1. Press the either the MENU button until “**DIND**” is displayed, press ENTER. 1 of 5 dimmer curves will be displayed. “**STAN**” (standard), “**STAG**” (stage), “**TV**” (TV), “**ARCH**” (architectural), or “**THE**” (theatre).
2. Press the UP or DOWN buttons to find your desired dimmer curve and press ENTER to confirm and exit.

PINT - Pan Inversion (Clockwise or counter-clockwise rotation)

1. Press the MENU button until “**PINT**” is displayed, press ENTER. Either “**On**” or “**Off**” will be displayed.
2. To activate the Pan inversion (counter-clockwise rotation) press the UP or DOWN buttons until “**On**” is displayed, press ENTER to confirm. To deactivate Pan inversion, select “**Off**” and press Enter.

TIL - Tilt Inversion (Clockwise or counter-clockwise rotation)

1. Press the MENU button until “**TIL**” is displayed, press ENTER. Either “**On**” or “**Off**” will be displayed.
2. To activate theTilt inversion (counter-clockwise rotation) press the UP or DOWN buttons until “**On**” is displayed, press ENTER to confirm. To deactivate tilt inversion, select “**Off**” and press Enter.

BACL - With this function you can have the LED display turn off after 10 seconds.

1. Press the MENU button until “**BACL**” is displayed, press ENTER.
2. The display will show either “**ON**” or “**OFF**”. Press the UP or DOWN buttons to select “**ON**” to keep the LED display on at all times, or “**OFF**” to switch to have the LED display switch off after 10 seconds.

DISP - This function will reverse the display 180°.

1. Press the MENU button until “**DISP**” is displayed, press ENTER. Either “**On**” or “**Off**” will be displayed.
2. To “flip” the display press the UP or DOWN buttons until “**On**” is displayed, press ENTER. To activate normal display, select “**Off**” and press Enter.

NAN - In this submenu you are able to test the different functions.

1. Press the MENU button until “**NAN**” is displayed, press ENTER.
2. Use the UP and DOWN buttons to scroll through the various functions able for testing. Once you have found your desired function you would like to test press ENTER.
3. After you have pressed ENTER, use the UP and DOWN buttons to adjust the values and test the function. To exit press the MENU button.

HRS - With this function you can display the running time of the unit.

1. Press the MENU button until “**HRS**” is displayed, press ENTER.
2. The running time of the fixture will now be displayed. Press MENU to exit.

VER - Use this function to display the Software version of the unit.

1. Press the either the MENU button until “**VER**” is displayed, press ENTER.
2. The display will show the software version.

REST - Use this function to reset the unit.

1. Press the MENU button until “**REST**” is displayed, press ENTER.
2. The fixture will now reset.

BALA - With this function you can adjust the RGBW colors to make your desired color.

1. Press the MENU button until “**BALA**” is displayed, press ENTER.
2. Use the UP or DOWN buttons to find the color you wish to adjust.
3. Once you find the color you want to adjust press ENTER, the displayed value will begin to flash. Use the UP or DOWN buttons to adjust the value. Once you have made your adjustment press ENTER.
4. Repeat steps 2-3 until satisfied.

Operating Modes: The XS 400 can operate in three different modes. In each mode you can run the fixture as a stand alone fixture or in a master/slave configuration. This next section will detail the differences in the operating modes.

Universal DMX Control: This function allows you to use a universal DMX-512 controller to control the chases and patterns, dimmer and strobe. A DMX controller allows you to create unique programs tailored to your individual needs.

1. The XS 400 has 2 DMX Channel modes; 16 Channels, & 18 Channels. See pages 17-20 for detailed description of the DMX values and traits.
2. To control your fixture in DMX mode, follow the set-up procedures on pages 5-7 as well as the set-up specifications that are included with your DMX controller.
3. Use the controller's faders to control the various DMX fixture traits.
4. This will allow you to create your own programs.
5. Follow the instructions on page 9 to select your desired DMX channel mode and to set the DMX address.
6. For longer cable runs (more than a 100 feet) use a terminator on the last fixture.
7. For help operating in DMX mode consult the manual included with your DMX controller.

Sound Active Mode: This mode allows either single unit or several units linked together, to run to the beat of the music.

1. Press the MENU button until "**SOND**" is displayed, and press ENTER.
2. Press the UP or DOWN button so that "**ON**" is displayed. The unit will now run to the beat of the music.
3. The sound sensitivity can be adjusted by pressing the MENU button until "**SOSE**" is displayed, and then press ENTER. Use the UP or DOWN buttons to adjust the sound sensitivity, 1 being the least sensitive, and 100 being the most sensitive.

Show Mode: In this mode you can choose 1 of 8 show modes to run.

1. Press the MENU button until "**SHND**" is displayed, and press ENTER.
2. Press the UP or DOWN buttons until you find your desired show,

and press ENTER then press and hold MENU for 3 seconds to confirm.

Master-Slave Operation This function will allow you to link up to 16 units together and operate without a controller. In a Master-Slave set up one unit will act as the controlling unit and the others will react to the controlling units programs. Any unit can act as a Master or as a Slave.

1. Using approved DMX data cables, daisy chain your units together via the XLR connector on the rear of the units. Remember the Male XLR connector is the input and the Female XLR connector is the output. The first unit in the chain (master) will use the female XLR connector only - The last unit in the chain will use the male XLR connector only. For longer cable runs we suggest a terminator at the last fixture.
2. For the Master unit press the MENU button until "**STAL**" is displayed, and press ENTER. Set the unit to "**MAST**" and press ENTER.
3. Next set the Master to your desired operating mode.
4. For the slave units press the MENU button until "**STAL**" is displayed, and Press ENTER. Set the slave units to "**SLAV**".
5. The slave units will now follow the Master unit.

With this feature you can connect the fixtures to one another using the IEC input and output sockets. The quantity that can be connected is 8 fixtures maximum After the maximum fixtures has been reached you will need to use a new power outlet. They must be the same fixtures. DO NOT mix fixtures.

XS 400

UC IR Control

The **UC IR** infrared remote (sold separately) gives you control of various functions. To control the fixture you must aim the remote at the front of the fixture and be no more than 30 feet away.

The XS 400 comes with the **Airstream IR** remote transmitter. The **ADJ Airstream IR** is a universal infrared remote control App used to control a variety of UC IR compatible fixtures. You can download the Airstream IR App in the iOS App store. The remote transmitter plugs into the headphone jack of your iOS phone or tablet. The App comes with 3 pages of control depending on the IR fixture you are using. Additional Airstream IR transmitters are available for purchase please contact your ADJ dealer.

STAND BY - Pressing this button will blackout the fixture.

FULL ON - Hold this button down to fully light up the unit. When you let the button go, the unit will return to its previous state.

FADE/GOBO - Press this button to enter color change mode. Press the button a second time run color rainblow. Press this button a third time exit. Use the Dimmer buttons to adjust the output intensity.

“DIMMER +” and “DIMMER -” - These buttons are used to adjust the output intensity.

STROBE - Press the button to activate strobing. Press the button the first time strobe at the highest rate. Press the button a second time to strobe at medium rate. Press the button a third time to strobe at the slowest rate. Press the button for a fourth time to exit.

COLOR - Press this button and use buttons 1-9 to select your desired color. See the color chart below for the numeral buttons and colors.

1-9 - When in color or show mode these buttons will allow you to select your desired color or show.

SOUND ON & OFF - These buttons activate and deactivate the sound active mode.

SHOW 0 - This activates the show mode. Press the Show 0 button to activate random show mode, or use buttons 1-8 to select a preset show.

BUTTON	1	2	3	4	5	6	7	8	9
	RED	GREEN	BLUE	WHITE	RED(100%) GREEN(100%)	GREEN(100%) BLUE(100%)	RED(100%) BLUE(100%)	GREEN(100) BLUE(50%)	BLUE50% RED100%

XS 400

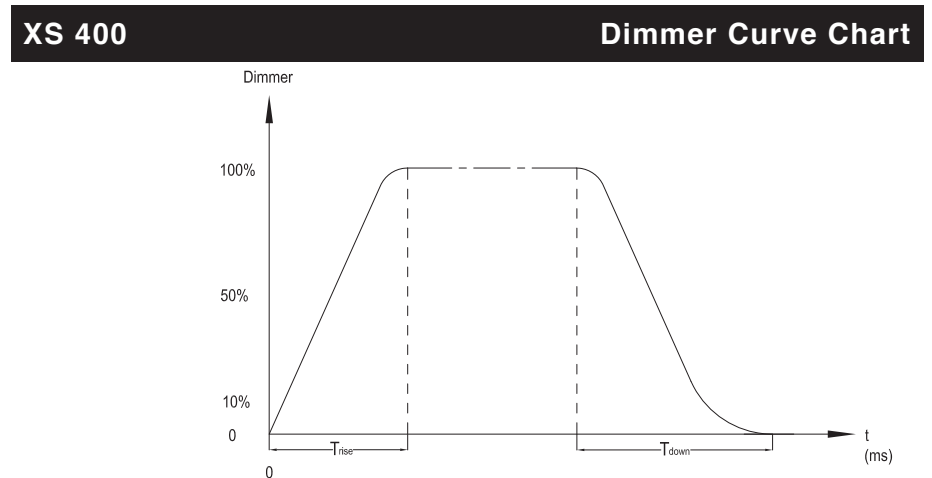
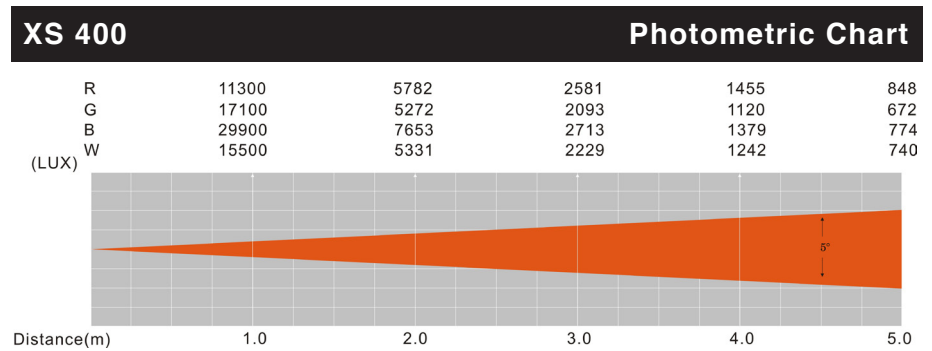
16 Channel Mode

Channel	Value	Function
1	0 - 255	PAN
2	0 - 255	TILT
3	0 - 55 56 - 127 128 - 199 200 - 255	TILT CONTINUOUS ROTATION NO FUNCTION CLOCKWISE ROTATION COUNTER-CLOCKWISE ROTATION NO FUNCTION
4	0 - 255	TILT CONTINUOUS ROTATION SPEED SLOW - FAST
5	0 - 255	RED LED 0% - 100%
6	0 - 255	GREEN LED 0% - 100%
7	0 - 255	BLUE LED 0% - 100%
8	0 - 255	WHITE LED 0% - 100%
9	0 - 10 11 - 20 21 - 30 31 - 40 41 - 50 51 - 60 61 - 70 71 - 80 81 - 123 124 - 166 167 - 209 210 - 249 250 - 255	COLOR MACROS & EFFECTS NO FUNCTION RED GREEN RED & GREEN BLUE RED & BLUE GREEN & BLUE RED & GREEN & BLUE SINGLE COLOR CHANGE SLOW - FAST COLOR MIX SLOW - FAST COLOR FADE SLOW - FAST COLOR CHANGE SLOW - FAST SOUND ACTIVE COLOR EFFECT
10	0 - 7 8 - 139 140 - 189 190 - 231 240 - 255	STROBING BLACKOUT STROBING SLOW - FAST SLOW OPEN - FAST CLOSE FAST OPEN - SLOW CLOSE RANDOM STROBE

XS 400		16 Channel Mode
Channel	Value	Function
11	0 - 255	MASTER DIMMER 0% - 100%
12	0 - 15	PROGRAMS NOTHING
	16 - 40	PROGRAM 1
	41 - 65	PROGRAM 2
	66 - 90	PROGRAM 3
	91 - 115	PROGRAM 4
	116 - 140	PROGRAM 5
	141 - 165	PROGRAM 6
	166 - 190	PROGRAM 7
	191 - 215	PROGRAM 8
	216 - 240	RANDOM PROGRAM PLAYING 5 TIMES EACH
	241 - 255	RANDOM PROGRAM 2 MINS. EACH
13	0 - 255	PROGRAM SPEED SLOW - FAST
14	0 - 255	PAN/TILT SPEED FAST - SLOW
15		SPECIAL FUNCTIONS
	0 - 69	NO FUNCTION
	70 - 79	BLACKOUT WITH PAN/TILT MOVEMENT
	80 - 89	NO FUNCTION
	90 - 99	BLACKOUT WITH RGBW VALUE CHANGES
	100 - 199	NO FUNCTION
	200 - 209	RESET ALL
210 - 255	NO FUNCTION	
16		DIMMER MODE
	0 - 20	STANDARD
	21 - 40	STAGE
	41 - 60	TV
	61 - 80	ARCHITECTURAL
	81 - 100	THEATRE
	101 - 255	DEFAULT DIMMER SETTING

XS 400		18 Channel Mode
Channel	Value	Function
1	0 - 255	PAN
2	0 - 255	PAN FINE
3	0 - 255	TILT
4	0 - 255	TILT FINE
5	0 - 55	TILT CONTINUOUS ROTATION NO FUNCTION
	56 - 127	CLOCKWISE ROTATION
	128 - 199	COUNTER-CLOCKWISE ROTATION
	200 - 255	NO FUNCTION
6	0 - 255	PAN CONTINUOUS ROTATION SPEED SLOW - FAST
7	0 - 255	RED LED 0% - 100%
8	0 - 255	GREEN LED 0% - 100%
9	0 - 255	BLUE LED 0% - 100%
10	0 - 255	WHITE LED 0% - 100%
11	0 - 10	COLOR MACROS & EFFECTS NO FUNCTION
	11 - 20	RED
	21 - 30	GREEN
	31 - 40	RED & GREEN
	41 - 50	BLUE
	51 - 60	RED & BLUE
	61 - 70	GREEN & BLUE
	71 - 80	RED & GREEN & BLUE
	81 - 123	SINGLE COLOR CHANGE SLOW - FAST
	124 - 166	COLOR MIX SLOW - FAST
	167 - 209	COLOR FADE SLOW - FAST
	210 - 249	COLOR CHANGE SLOW - FAST
	250 - 255	SOUND ACTIVE COLOR EFFECT
12		STROBING
	0 - 7	BLACKOUT
	8 - 139	STROBING SLOW - FAST
	140 - 189	SLOW OPEN - FAST CLOSE
	190 - 231	FAST OPEN - SLOW CLOSE
	240 - 255	RANDOM STROBE

XS 400		18 Channel Mode
Channel	Value	Function
13	0 - 255	MASTER DIMMER 0% - 100%
14	0 - 15	PROGRAMS NOTHING
	16 - 40	PROGRAM 1
	41 - 65	PROGRAM 2
	66 - 90	PROGRAM 3
	91 - 115	PROGRAM 4
	116 - 140	PROGRAM 5
	141 - 165	PROGRAM 6
	166 - 190	PROGRAM 7
	191 - 215	PROGRAM 8
	216 - 240	RANDOM PROGRAM PLAYING 5 TIMES EACH
241 - 255	RANDOM PROGRAM 2 MINS. EACH	
15	0 - 255	PROGRAM SPEED SLOW - FAST
16	0 - 255	PAN/TILT SPEED FAST - SLOW
17	0 - 69	SPECIAL FUNCTIONS NO FUNCTION
	70 - 79	BLACKOUT WITH PAN/TILT MOVEMENT
	80 - 89	NO FUNCTION
	90 - 99	BLACKOUT WITH RGBW VALUE CHANGE
	100 - 199	NO FUNCTION
	200 - 209	RESET ALL
	210 - 255	NO FUNCTION
18	0 - 20	DIMMER MODE STANDARD
	21 - 40	STAGE
	41 - 60	TV
	61 - 80	ARCHITECTURAL
	81 - 100	THEATRE
	101 - 255	DEFAULT DIMMER SETTING



Ramp Effect	0 \rightarrow 255 OS (Fade Time)		0 \rightarrow 255 1S (Fade Time)	
	T_{rise} (ms)	T_{down} (ms)	T_{rise} (ms)	T_{down} (ms)
Standard	0	0	0	0
Stage	780	1100	1540	1660
TV	1180	1520	1860	1940
Architectural	1380	1730	2040	2120
Theatre	1580	1940	2230	2280

XS 400**Fuse Replacement**

Disconnect the unit from its power source. Remove the power cord from the unit. Once the cord has been removed, you will find that the fuse holder is located inside the power socket. Insert a flat-head screw driver into the power socket and gently pry out the fuse holder. Remove the bad fuse and replace with a new one. The fuse holder also has a holder for a spare fuse.

XS 400**Cleaning**

Fixture Cleaning: Due to fog residue, smoke, and dust cleaning the internal and external optical lenses and mirror should be carried out periodically to optimize light output. Cleaning frequency depends on the environment in which the fixture operates (i.e. smoke, fog residue, dust, dew). In heavy club use we recommend cleaning on a monthly basis. Periodic cleaning will ensure longevity, and crisp output.

1. Use normal glass cleaner and a soft cloth to wipe down the outside casing.
2. Use a brush to wipe down the cooling vents and fan grill.
3. Clean the external optics and mirror with glass cleaner and a soft cloth every 20 days.
4. Clean the internal optics with glass cleaner and a soft cloth every 30-60 days.
5. Always be sure to dry all parts completely before plugging the unit back in.

XS 400**Trouble Shooting**

Trouble Shooting: Listed below are a few common problems that you may encounter, with solutions.

No light output from the unit;

1. Be sure the external fuse has not blown. The fuse is located on the rear panel of the unit.
2. Be sure the fuse holder is completely and properly seated.

Unit does not respond to sound;

1. Low frequencies (bass) should cause the unit to react to sound. Tapping on the microphone, quiet or high pitched sounds may not activate the unit.
2. Check the sound sensitivity level.

XS 400**Warranty****MANUFACTURER'S LIMITED WARRANTY**

- A. ADJ Products, LLC hereby warrants, to the original purchaser, ADJ Products, LLC products to be free of manufacturing defects in material and workmanship for a prescribed period from the date of purchase (see specific warranty period on reverse). This warranty shall be valid only if the product is purchased within the United States of America, including possessions and territories. It is the owner's responsibility to establish the date and place of purchase by acceptable evidence, at the time service is sought.
- B. For warranty service you must obtain a Return Authorization number (RA#) before sending back the product—please contact ADJ Products, LLC Service Department at 800-322-6337. Send the product only to the ADJ Products, LLC factory. All shipping charges must be pre-paid. If the requested repairs or service (including parts replacement) are within the terms of this warranty, ADJ Products, LLC will pay return shipping charges only to a designated point within the United States. If the entire instrument is sent, it must be shipped in its original package. No accessories should be shipped with the product. If any accessories are shipped with the product, ADJ Products, LLC shall have no liability whatsoever for loss of or damage to any such accessories, nor for the safe return thereof.
- C. This warranty is void if the serial number has been altered or removed; if the product is modified in any manner which ADJ Products, LLC concludes, after inspection, affects the reliability of the product; if the product has been repaired or serviced by anyone other than the ADJ Products, LLC factory unless prior written authorization was issued to purchaser by ADJ Products, LLC; if the product is damaged because not properly maintained as set forth in the instruction manual.
- D. This is not a service contract, and this warranty does not include maintenance, cleaning or periodic check up. During the period specified above, ADJ Products, LLC will replace defective parts at its expense with new or refurbished parts, and will absorb all expenses for warranty service and repair labor by reason of defects in material or workmanship. The sole responsibility of ADJ Products, LLC under this warranty shall be limited to the repair of the product, or replacement thereof, including parts, at the sole discretion of ADJ Products, LLC. All products covered by this warranty were manufactured after August 15, 2012, and bear indentifying marks to that effect.
- E. ADJ Products, LLC reserves the right to make changes in design and/or improvements upon its products without any obligation to include these changes in any products theretofore manufactured.

No warranty, whether expressed or implied, is given or made with respect to any accessory supplied with products described above. Except to the extent prohibited by applicable law, all implied warranties made by ADJ Products, LLC in connection with this product, including warranties of merchantability or fitness, are limited in duration to the warranty period set forth above. And no warranties, whether expressed or implied, including warranties of merchantability or fitness, shall apply to this product after said period has expired. The consumer's and/or Dealer's sole remedy shall be such repair or replacement as is expressly provided above; and under no circumstances shall ADJ Products, LLC be liable for any loss or damage, direct or consequential, arising out of the use of, or inability to use, this product.

This warranty is the only written warranty applicable to ADJ Products, LLC Products and supersedes all prior warranties and written descriptions of warranty terms and conditions heretofore published.

MANUFACTURER'S LIMITED WARRANTY PERIODS:

- **Lighting Products = 1-year (365 days) Limited Warranty** (Such as: Special Effect Lighting, Intelligent Lighting, UV lighting, Strobes, Fog Machines, Bubble Machines, Mirror Balls, Par Cans, Trussing, Lighting Stands etc. excluding LED and lamps)
- **Laser Products = 1 Year (365 Days) Limited Warranty** (excluding laser diodes which have a 6 month limited warranty)
- **L.E.D. Products = 2-year (730 days) Limited Warranty** (excluding motors, PCB boards, and power supplies, which have a 1-year (365 day Limited Warranty) batteries which have a 180 day limited warranty). Only the L.E.D.s carry a 2-year warranty (excluding StarTec Series which carries a 1 Year Limited Warranty) **Note: 2 Year Warranty only applies to purchases within the United States.**
- **ADJ DMX Controllers = 2 Year (730 Days) Limited Warranty** (excluding faders and tact switches)

Model:	XS 400
Voltage:	100V ~ 240V/50~60Hz
LEDs:	4 x 10W RGBW 4-in-1 LEDs
Power Consumption:	45W
Power Cord Daisy Chain:	8 Fixtures Max.
Beam Angle:	5 Degrees
Dimensions:	6.75"(L) x 4.75"(W) x 11.25"(H) 170 x 124 x 285mm
Weight:	6 Lbs. / 2.5 kgs.
Colors:	RGBW Color Mixing
Fuse:	1A
Duty Cycle:	None
DMX Modes:	2 DMX Channel Modes: 16 Channel Mode & 18 DMX Channels
Working Position:	Any Safe, Secure Position
Warranty:	2 Year (730 days)

Auto Sensing Voltage: *This fixture contains a automatic voltage switch, which will auto sense the voltage when it is plugged into the power source.*

Please Note: *Specifications and improvements in the design of this unit and this manual are subject to change without any prior written notice.*

ADJ Products, LLC
6122 S. Eastern Ave. Los Angeles, CA 90040 USA
Tel: 323-582-2650 / Fax: 323-725-6100
Web: www.adj.com / E-mail: info@americandj.com

A.D.J. Supply Europe B.V.
Junostraat 2
6468 EW Kerkrade
The Netherlands

Follow Us On:



facebook.com/americandj
twitter.com/americandj
youtube.com/adjlighting

service@adjgroup.eu / www.adj.eu
Tel: +31 45 546 85 00 / Fax: +31 45 546 85 99