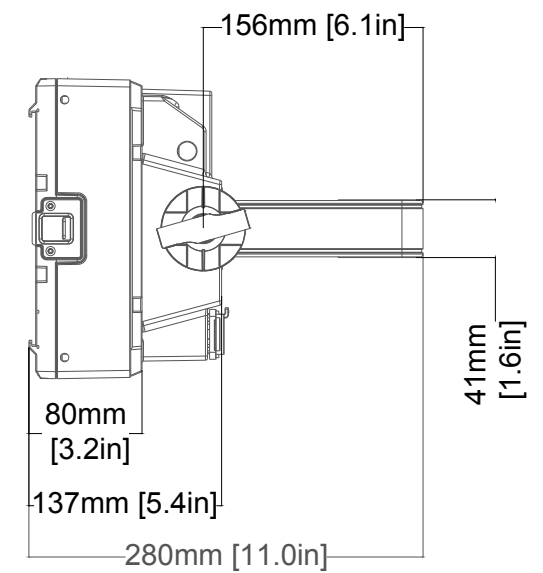
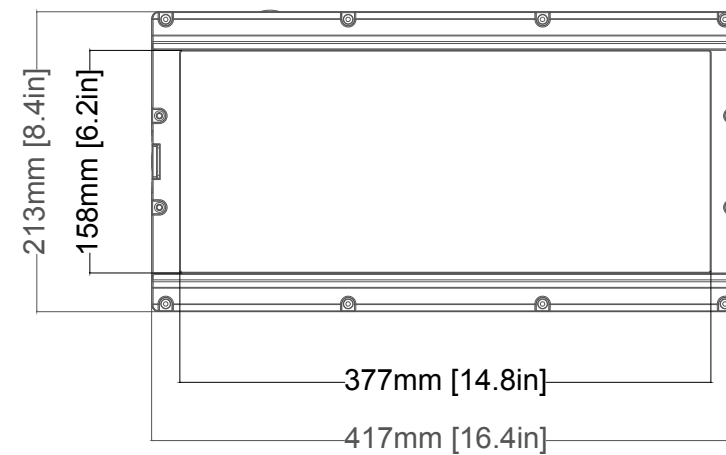
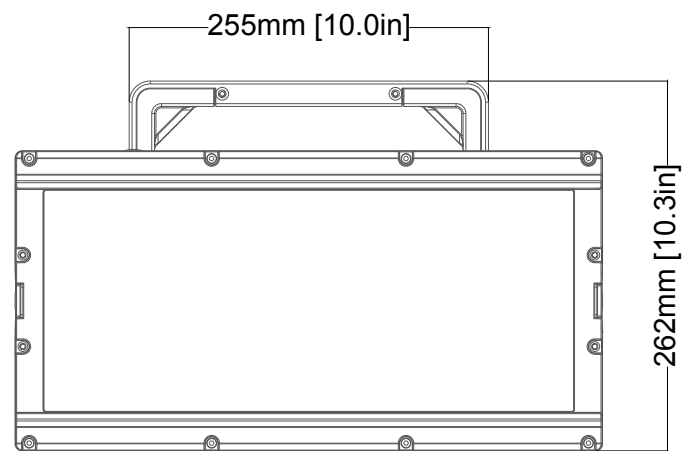
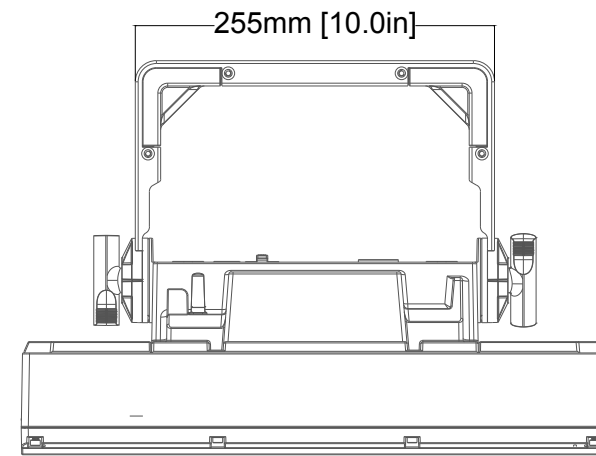
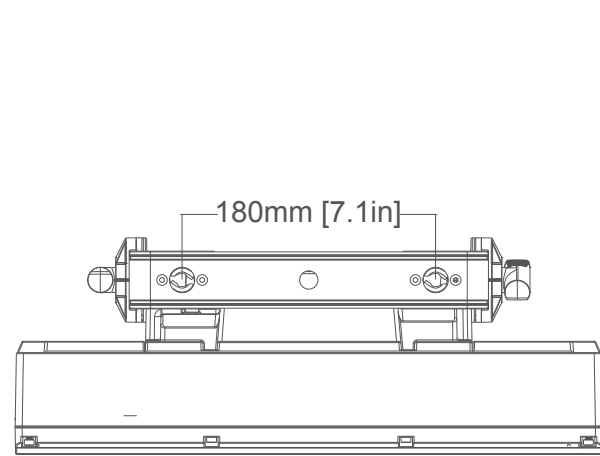


©ADJ PRODUCTS, LLC all rights reserved. Information contained within this drawing is proprietary and confidential. Any reproduction and/or distribution of any part of this drawing without the written consent of ADJ Products LLC is strictly prohibited. Diagrams and/or measurements herein subject to change without notice.



| | | | |
|---------------------|---------------------|------------|---|
| TITLE: | | DATE: | |
| ADJ Jolt Panel FXIP | | 2024-11-26 | |
| SCALE: | TOL: | ANGLE: | |
| NONE | ± .XX(.X) .XXX(.XX) | - | - |