

NET 4

User Manual

©2024 ADJ Products, LLC all rights reserved. Information, specifications, diagrams, images, and instructions herein are subject to change without notice. ADJ Products, LLC logo and identifying product names and numbers herein are trademarks of ADJ Products, LLC. Copyright protection claimed includes all forms and matters of copyrightable materials and information now allowed by statutory or judicial law or hereinafter granted. Product names used in this document may be trademarks or registered trademarks of their respective companies and are hereby acknowledged. All non-ADJ Products, LLC brands and product names are trademarks or registered trademarks of their respective companies.

ADJ Products, LLC and all affiliated companies hereby disclaim any and all liabilities for property, equipment, building, and electrical damages, injuries to any persons, and direct or indirect economic loss associated with the use or reliance of any information contained within this document, and/or as a result of the improper, unsafe, insufficient and negligent assembly, installation, rigging, and operation of this product.

ADJ PRODUCTS LLC World Headquarters

6122 S. Eastern Ave. | Los Angeles, CA 90040 USA

Tel: 800-322-6337 | Fax: 323-582-2941 | www.adj.com | lsupport@adj.com

ADJ Supply Europe B.V.

ADJ SERVICE EUROPE - Monday - Friday 08:30 to 17:00 CET

Junostraat 2 | 6468 EW Kerkrade | Netherlands

+31 45 546 85 60 | Fax: +31 45 546 85 96 | support@adj.eu

Europe Energy Saving Notice

Energy Saving Matters (EuP 2009/125/EC)

Saving electric energy is a key to help protecting the environment. Please turn off all electrical products when they are not in use. To avoid power consumption in idle mode, disconnect all electrical equipment from power when not in use. Thank you!

DOCUMENT VERSION



Due to additional product features and/or enhancements, an updated version of this document may be available online.

Please check www.adj.com for the latest revision/update of this manual before beginning installation and/or programming.

Date	Document Version	Software Version >	Modes	Notes
04/23/24	1	1.00	DHCP / Static	Initial Release

CONTENTS

General Information	4
Limited Warranty	5
Safety Guidelines	6
Overview	7
Rear Connections	8
DMX Setup	9
Installation Guidelines	10
System Menu	15
DMX Trigger Chart	17
Web Configuration	18
Maintenance	20
Specifications	21
Dimensions Drawings	22
Optional Accessories FCC Statement	23

GENERAL INFORMATION

INTRODUCTION

Please read and understand the instructions in this manual carefully and thoroughly before attempting to operate this device. These instructions contain important safety and use information.

This product is intended for use by professionally trained personnel only, and is not suitable for private use.

Unpacking

Every device has been thoroughly tested and has been shipped in perfect operating condition. Carefully check the shipping carton for damage that may have occurred during shipping. If the carton is damaged, carefully inspect the device for damage, and be sure all accessories necessary to install and operate the device have arrived intact. In the event damage has been found or parts are missing, please contact our customer support team for further instructions. Please do not return this device to your dealer without first contacting customer support. Please do not discard the shipping carton in the trash. Please recycle whenever possible.

BOX CONTENTS

Omega Brackets
1.83M locking power cable

CUSTOMER SUPPORT

Contact ADJ Service for any product related service and support needs. Also visit forums.adj.com with questions, comments or suggestions.

ADJ SERVICE USA - Monday - Friday 8:00am to 4:30pm PST
323-582-2650 | Fax: 323-832-2941 | support@adj.com

ADJ SERVICE EUROPE - Monday - Friday 08:30 to 17:00 CET
+31 45 546 85 60 | Fax: +31 45 546 85 96 | info@adj.eu

REPLACEMENT PARTS please visit parts.adj.com



IMPORTANT NOTICE!

THERE ARE NO USER SERVICEABLE PARTS INSIDE THIS UNIT. DO NOT ATTEMPT ANY REPAIRS YOURSELF; DOING SO WILL VOID YOUR MANUFACTURER'S WARRANTY. DAMAGES RESULTING FROM MODIFICATIONS TO THIS FIXTURE AND/OR THE DISREGARD OF SAFETY INSTRUCTIONS AND GUIDELINES IN THIS MANUAL VOID THE MANUFACTURER'S WARRANTY AND ARE NOT SUBJECT TO WARRANTY CLAIMS AND/OR REPAIRS.

LIMITED WARRANTY (USA ONLY)

- A. ADJ Products, LLC hereby warrants, to the original purchaser, ADJ Products, LLC products to be free of manufacturing defects in material and workmanship for a prescribed period from the date of purchase (see specific warranty period on reverse). This warranty shall be valid only if the product is purchased within the United States of America, including possessions and territories. It is the owner's responsibility to establish the date and place of purchase by acceptable evidence, at the time service is sought.
- B. For warranty service, you must obtain a Return Authorization number (RA#) before sending back the product-please contact ADJ Products, LLC Service Department at 800-322-6337. Send the product only to the ADJ Products, LLC factory. All shipping charges must be pre-paid. If the requested repairs or service (including parts replacement) are within the terms of this warranty, ADJ Products, LLC will pay return shipping charges only to a designated point within the United States. If the entire instrument is sent, it must be shipped in its original package. No accessories should be shipped with the product. If any accessories are shipped with the product, ADJ Products, LLC shall have no liability whatsoever for loss of or damage to any such accessories, or for the safe return thereof.
- C. This warranty is void if the serial number has been altered or removed; if the product is modified in any manner which ADJ Products, LLC concludes, after inspection, affects the reliability of the product, if the product has been repaired or service by anyone other than ADJ Products, LLC factory unless prior written authorization was issued to purchaser by ADJ Products, LLC; if the product is damaged because not properly maintained as set forth in the instruction manual.
- D. This is not a service contract, and this warranty does not include maintenance, cleaning or periodic check up. During the period specified above, ADJ Products, LLC will replace defective parts at its expense with new or refurbished parts, and will absorb all expenses for warranty service and repair labor by reason of defects in material or workmanship. The sole responsibility of ADJ Products, LLC under this warranty shall be limited to the repair of the product, or replacement thereof, including parts, at the sole discretion of ADJ Products, LLC. All products covered by this warranty were manufactured after August 15, 2012, and bear identifying marks to that effect.
- E. ADJ Products, LLC reserves the right to make changes in design and/or improvements upon its products without any obligation to include these changes in any products theretofore manufactured.
- F. No warranty, whether expressed or implied, is given or made with respect to any accessory supplied with products described above. Except to the extent prohibited by applicable law, all implied warranties made by ADJ Products, LLC in connection with this product, including warranties of merchantability or fitness, are limited in duration to the warranty period set forth above. And no warranties, whether expressed or implied, including warranties of merchantability or fitness, shall apply to this product after said period has expired. The consumer's and/or Dealer's sole remedy shall be such repair or replacement as is expressly provided above; and under no circumstances shall ADJ Products, LLC be liable for any loss or damage, direct or consequential, arising out of the use of, or inability to use, this product.
- G. This warranty is the only written warranty applicable to ADJ Products, LLC Products and supersedes all prior warranties and written descriptions of warranty terms and conditions heretofore published.

LIMITED WARRANTY PERIODS

- **Non L.E.D. Lighting Products = 1-year (365 days) Limited Warranty** (Such as: Special Effect Lighting, Intelligent Lighting, UV lighting, Strobes, Fog Machines, Bubble Machines, Mirror Balls, Par Cans, Trussing, Lighting Stands etc. excluding LED and lamps)
- **Laser Products = 1 Year (365 Days) Limited Warranty** (excludes laser diodes which have 6 month limited warranty)
- **L.E.D. Products = 2-year (730 days) Limited Warranty** (excluding batteries which have a 180 day limited warranty)
Note: 2 Year Warranty only applies to purchases within the United States.
- **StarTec Series = 1 Year Limited Warranty** (excluding batteries which have a 180 day limited warranty)
- **ADJ DMX Controllers = 2 Year (730 Days) Limited Warranty**

SAFETY GUIDELINES

This device is a sophisticated piece of electronic equipment. To guarantee a smooth operation, it is important to follow all instructions and guidelines in this manual. ADJ PRODUCTS, LLC. is not responsible for injury and/or damages resulting from the misuse of this device due to the disregard of the information printed in this manual. Only the original included parts and/or accessories for this device should be used. Any modifications to the device, included and/or accessories will void the original manufacturer's warranty and increase the risk of damage and/or personal injury.



PROTECTION CLASS 1 - FIXTURE MUST BE PROPERLY GROUNDED



THERE ARE NO USER SERVICEABLE PARTS INSIDE THIS UNIT. DO NOT ATTEMPT ANY REPAIRS YOURSELF; DOING SO WILL VOID YOUR MANUFACTURER'S WARRANTY. DAMAGES RESULTING FROM MODIFICATIONS TO THIS FIXTURE AND/OR THE DISREGARD OF SAFETY INSTRUCTIONS AND GUIDELINES IN THIS MANUAL VOID THE MANUFACTURER'S WARRANTY AND ARE NOT SUBJECT TO ANY WARRANTY CLAIMS AND/OR REPAIRS.



**DO NOT PLUG FIXTURE INTO A DIMMER PACK!
NEVER OPEN THIS FIXTURE WHILE IN USE!
UNPLUG POWER BEFORE SERVICING FIXTURE!
NEVER TOUCH FIXTURE DURING OPERATION, AS IT MAY BE HOT!
KEEP FLAMMABLE MATERIALS AWAY FROM FIXTURE!**



**INDOOR / DRY LOCATIONS USE ONLY!
DO NOT EXPOSE FIXTURE TO RAIN AND MOISTURE!**

DO NOT shake the device; avoid brute force when installing and/or operating the device.

DO NOT operate the device if the power cord is frayed, crimped, damaged, and/or if any of the power cord connectors are damaged and do not insert into the fixture securely with ease.

NEVER force a power cord connector into the device. If the power cord or any of its connectors are damaged, replace it immediately with a new one of a similar power rating.

When installing the fixture in a suspended environment, always use mounting hardware that is no less than M10 x 25 mm, and always install the fixture with an appropriately rated safety cable.

Always disconnect the fixture from the main power source before performing any type of service and/or cleaning procedure.

Only handle the power cord by the plug end; never pull out the plug by tugging the wire portion of the cord.

During the initial operation of this fixture, light smoke or a smell may emit from the interior of the fixture. This is a normal process and is caused by excess paint in the interior of the casing burning off from the heat associated with the lamp and will decrease gradually over time.

Consistent operational breaks will ensure the fixture functions properly for many years.

ONLY Use the original packaging and materials to transport the fixture for service.

OVERVIEW

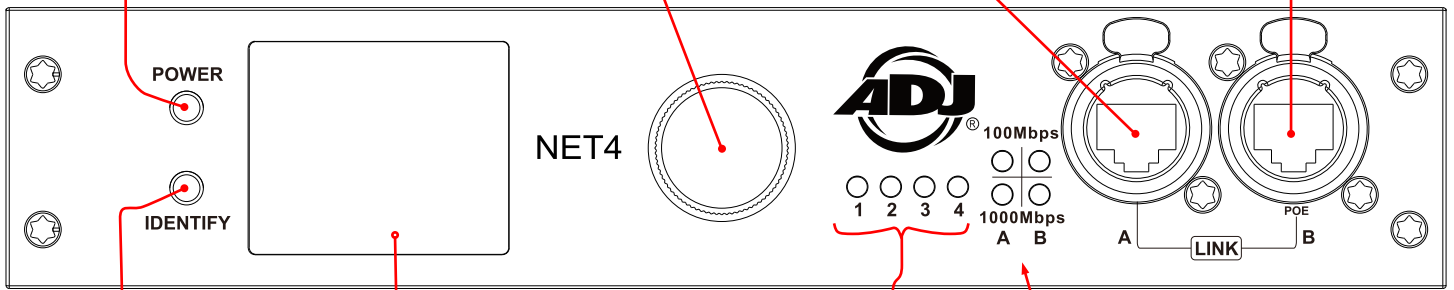


Power On Indicator

Encoder Knob:
Turn to scroll,
push-to-select

A: RJ45 Network connection w/POE

B: RJ45 Network connection



Device identifier:
flashes to verify
identity

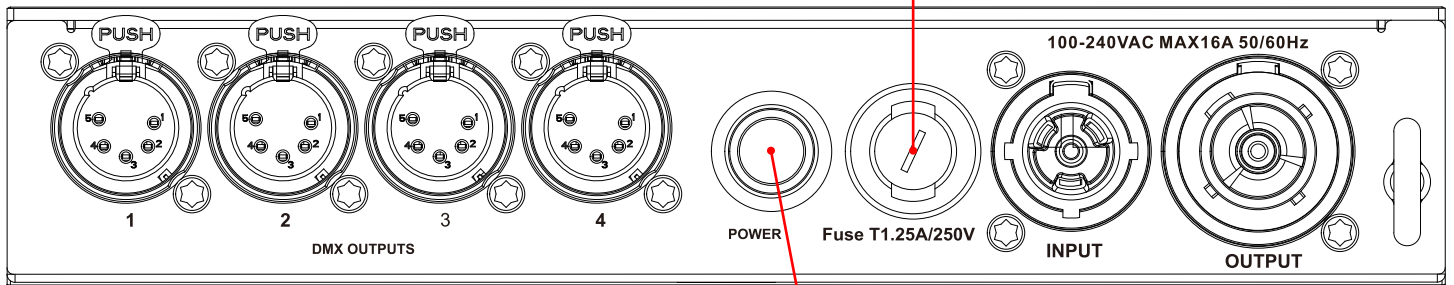
OLED
Display

DMX Output
Indicators

Network Status Indicators
for A & B Links: Red=ON,
Green=transmitting data

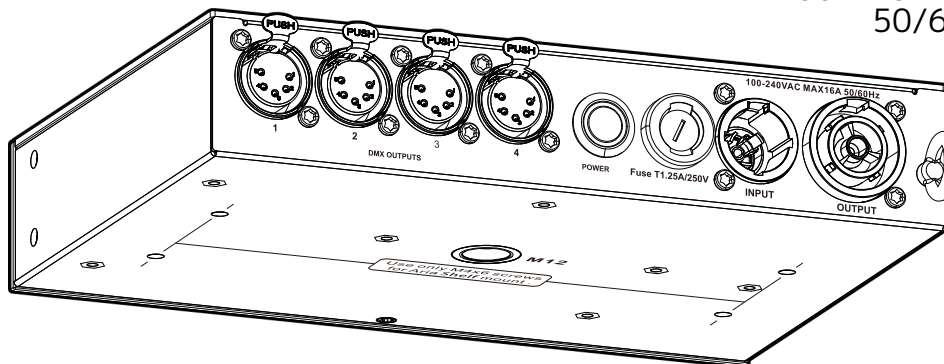
DMX Outputs: 1-4 Isolated DMX Outputs

Fuse: T1.25A/250V



Power

Power Input/Output
100-240VAC Max16A
50/60Hz

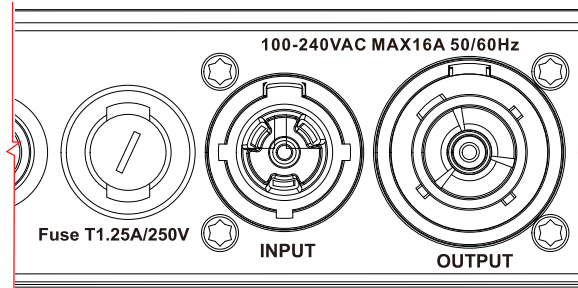


Safety Cable
Anchor Point

REAR CONNECTIONS

AC CONNECTIONS:

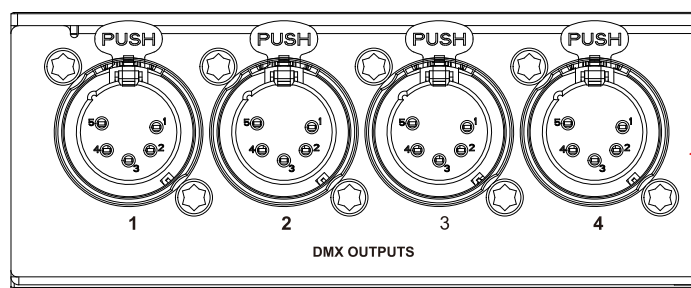
The Net 4 is rated for 100-240V 50/60Hz, and accepts AC mains power within that range. Do not connect it to power outside this range. Note that the device uses a T1.25A/250V fuse. Damage resulting from incorrect connection is not covered under warranty. A cable with a NEMA 15-5P plug is provided for use with the NET 4 in the USA and Canada. This approved cable must be used in North America.



DMX CONNECTIONS:

All DMX Output connections are 5pin female XLR; however, the pin-out on all sockets is pin 1 to shield, pin 2 to cold (-), and pin 3 to hot (+). Pins 4 and 5 are not used. Carefully connect DMX cables to the respective ports. To prevent damaging the DMX ports, provide strain relief and support. Avoid connecting FOH Snakes to the ports directly.

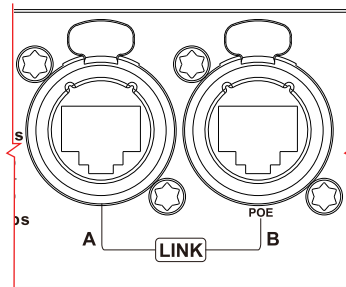
Pin	Connection
1	Com
2	Data -
3	Data +
4	Not connected
5	Not connected



ETHERNET DATA CONNECTION

The Ethernet cable is connected on the back of the router into the port labeled A or B. Devices can be daisy chained, but it is recommended not to exceed 10 NET 4 devices in one chain. Although this is an Locking RJ45 Ethernet connector, and the use of Locking RJ45 Ethernet cables is recommended, any RJ45 connector is suitable.

The Ethernet connection is also used to connect a computer to the NET 4 for remote configuration via a web browser. To access the web interface, simply enter the IP address shown in the display in any web browser connected to the device. Information about the web access can be found in the manual.



DMX SETUP

DMX-512:

Digital Multiplex, or DMX, serves as a universal protocol utilized by most lighting and controller manufacturers for communication between intelligent fixtures and controllers. A DMX controller sends DMX data instructions from the controller to the fixture. DMX data is transmitted as serial data, traveling from fixture to fixture through the DATA 'IN' and DATA 'OUT' XLR terminals found on all DMX fixtures. Most controllers only have a DATA 'OUT' terminal.

DMX LINKING:

As a language, DMX enables all makes and models from different manufacturers to be connected and operated from a single controller, provided that all fixtures and the controller are DMX compliant. To ensure proper DMX data transmission when using multiple DMX fixtures, use the shortest cable path possible. The order in which fixtures are connected in a DMX line does not affect the DMX addressing. For example, a fixture assigned a DMX address of 1 can be placed anywhere in a DMX line—at the beginning, at the end, or anywhere in the middle. Therefore, the first fixture controlled by the controller could be the last fixture in the chain. When a fixture is assigned a DMX address of 1, the DMX controller knows to send data assigned to address 1 to that unit, regardless of its position in the DMX chain.

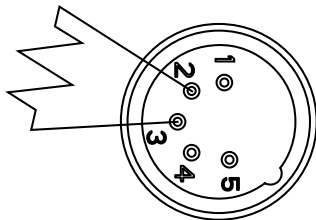
DATA CABLE (DMX CABLE) REQUIREMENTS:

The Net 4 can be controlled via the DMX-512 protocol. The DMX address is electronically set using the controls on the front panel of the unit. Both the unit and the DMX controller require an approved DMX-512 110 Ohm Data cable for data input and output. Accu-Cable DMX cables are recommended. If you are making your own cables, ensure that you use standard 110-120 Ohm shielded cable (which can be purchased at most professional sound and lighting stores). Cables should be made with a male and female XLR connector on either end of the cable. Additionally, keep in mind that DMX cable must be daisy-chained and cannot be split.



LINE TERMINATION:

When using longer runs of cable, one may need to use a terminator on the last unit to avoid erratic behavior. A terminator is a 110-120 ohm 1/4-watt resistor, which connects between pins 2 and 3 of a male XLR connector (DATA + and DATA -). Insert this unit into the female XLR connector of the last unit in your daisy chain to terminate the line. Using a cable terminator (ADJ part number Z-DMX/T) will decrease the possibilities of erratic behavior.



A DMX512 terminator reduces signal errors, avoiding most signal reflection interference. Connect PIN 2 (DMX-) and PIN 3 (DMX+) of the last fixture in series with a 120 Ohm, 1/4 W Resistor to terminate the DMX512.

INSTALLATION GUIDELINES



DISCONNECT POWER BEFORE PERFORMING ANY MAINTENANCE!



ELECTRICAL CONNECTIONS

A qualified electrician should be used for all electrical connections and/or installations.



USE CAUTION WHEN POWER LINKING OTHER MODEL DEVICES AS THE POWER CONSUMPTION OF OTHER MODEL DEVICES MAY EXCEED THE MAXIMUM POWER OUTPUT OF THIS DEVICE. CHECK SILK SCREEN FOR MAXIMUM AMPS.



THE NET 4 IS DESIGNED TO BE TRUSS MOUNTED OR RACK-MOUNTED; HOWEVER, IT CAN BE USED STAND-ALONE, WHERE THE DEVICE MUST SIT ON A FIRM FLAT SURFACE.

Device **MUST** be installed following all local, national, and country commercial electrical and construction codes and regulations.

POWER LINKING

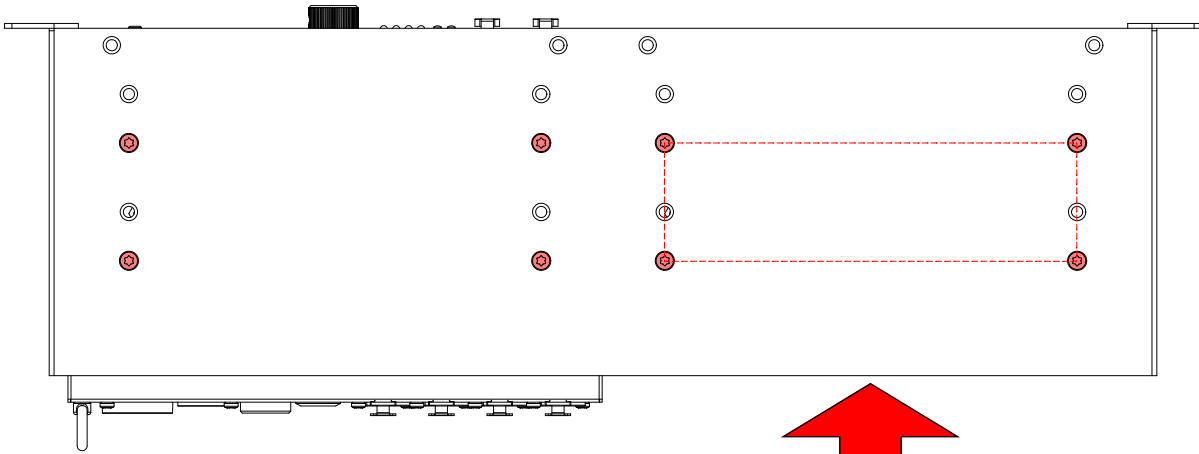
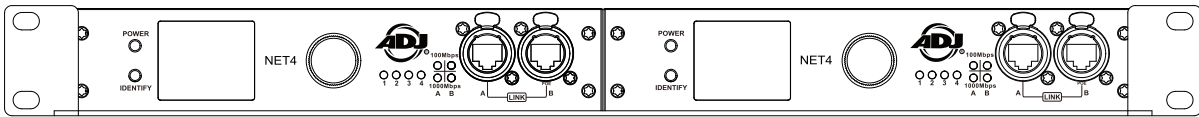
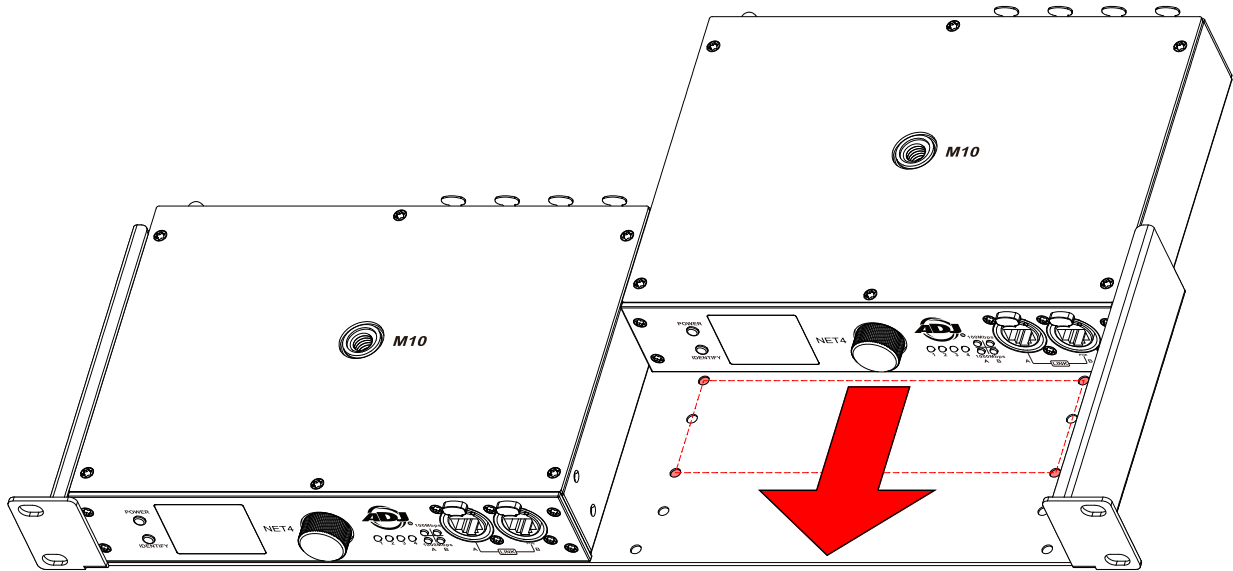


USE CAUTION WHEN POWER LINKING AS THE POWER CONSUMPTION MAY EXCEED THE MAXIMUM POWER OUTPUT ON THIS DEVICE. CHECK SILK SCREEN FOR MAXIMUM AMPS.

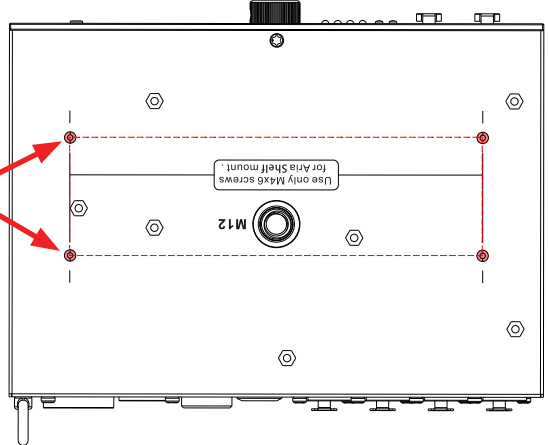
INSTALLATION GUIDELINES

RACK MOUNT INSTALLATION

1. Slide the Net 4 units into the rear of the Rack Shelf.
2. Align the mounting holes on the bottom of each Net 4 with the corresponding holes on the Rack Shelf, and secure each unit to the Rack Shelf with (4x) M4x6 screws.



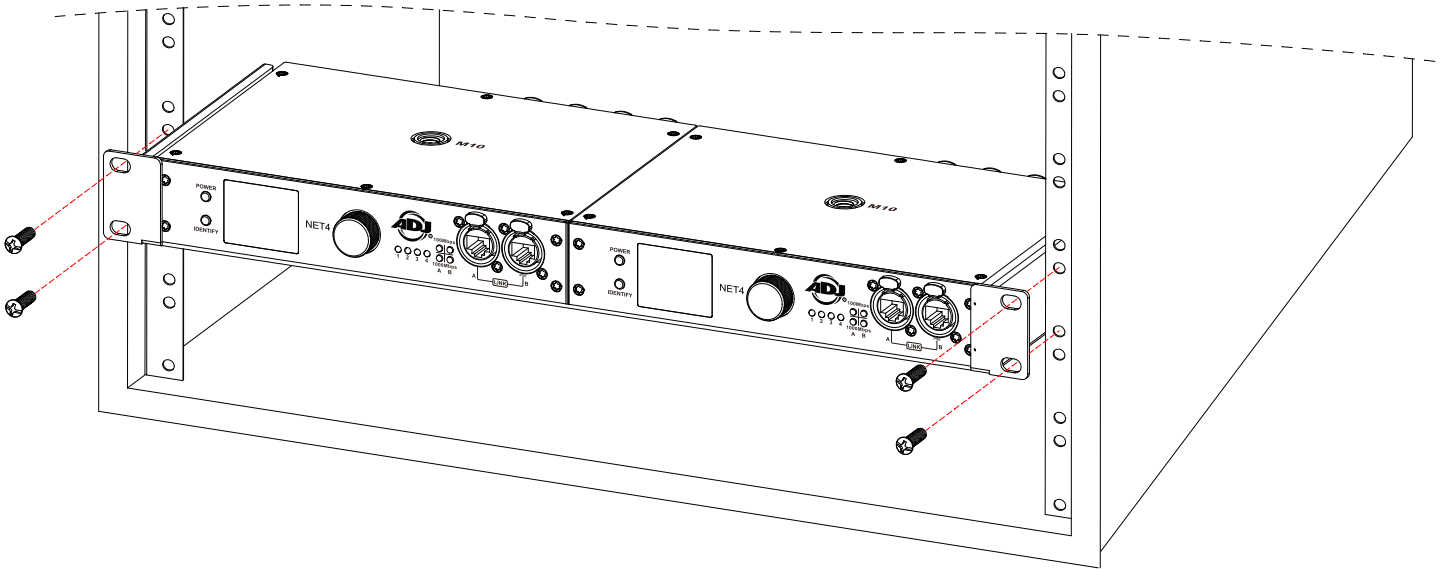
Use only M4x6 screws for Aria Shelf Mount.



INSTALLATION GUIDELINES

ARIA RACK SHELF (SOLD SEPARATELY):

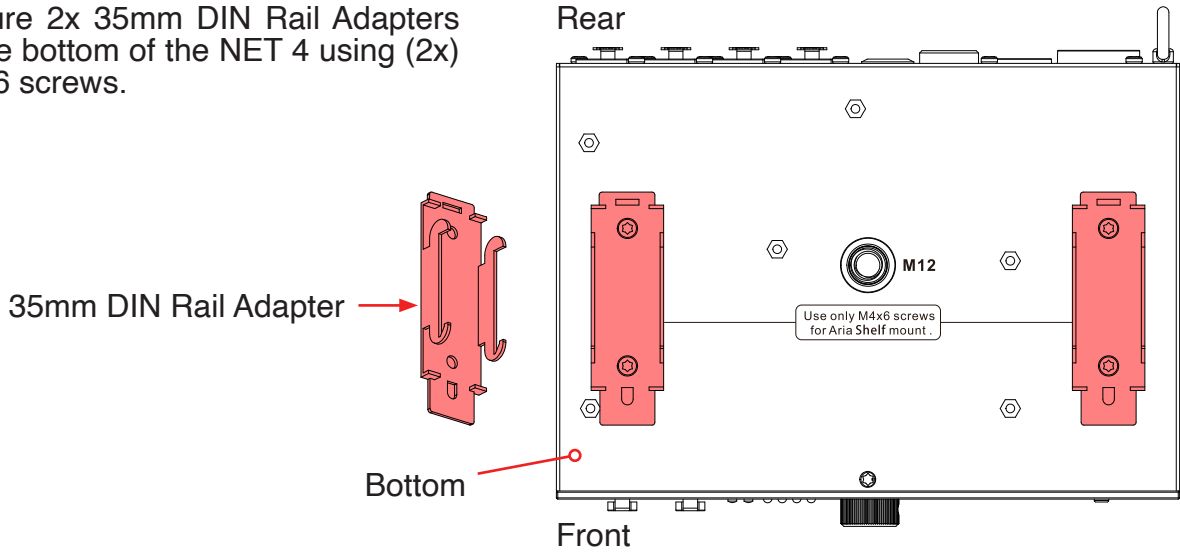
3. Align the vertical mounting holes of the Aria Rack Shelf with the corresponding vertical holes on the rack, making sure to position the device at the desired height.
4. Insert (4x) screws through the mounting holes of the 19" Rack Shelf, and securely tighten them.
5. Ensure that the devices are firmly mounted to the 19" Rack Shelf, and that it is securely attached to the rack before connecting any cables.



INSTALLATION GUIDELINES

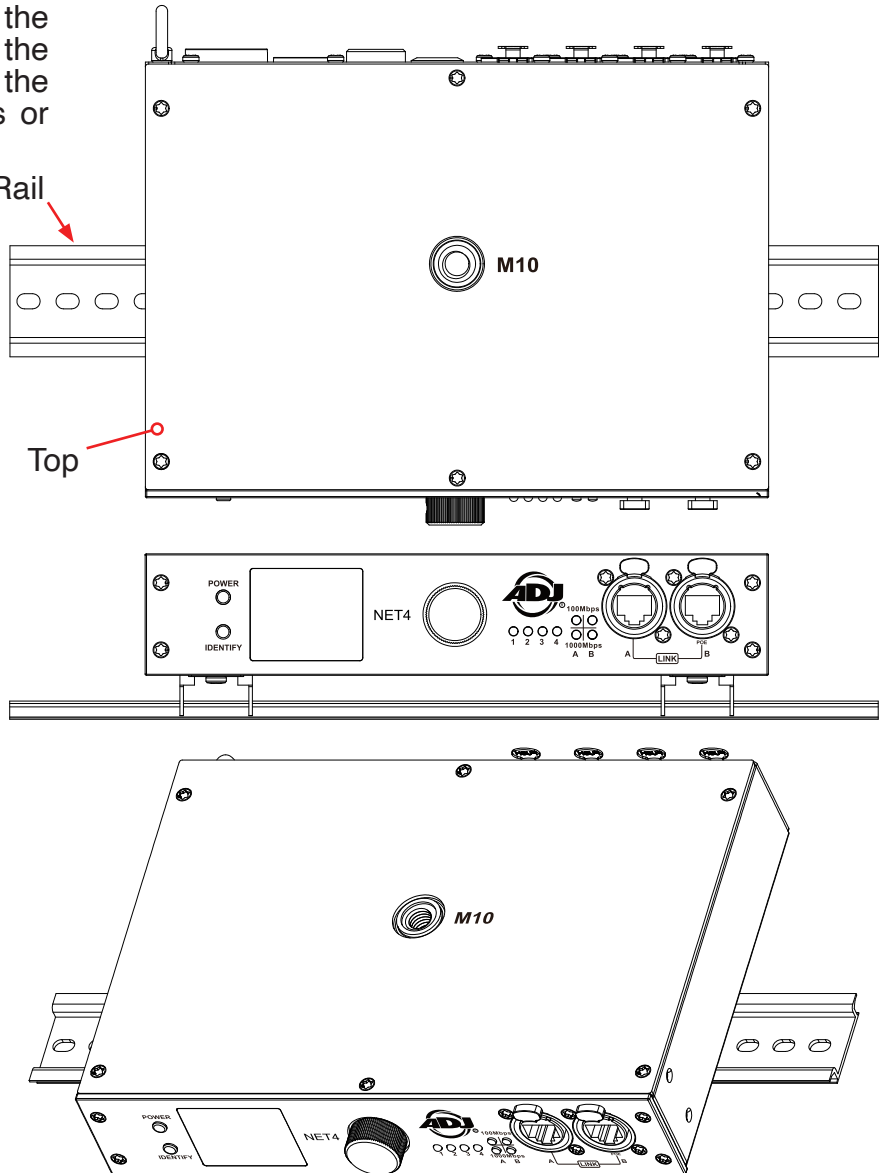
35MM DIN RAIL ADAPTERS (SOLD SEPARATELY):

1. Secure 2x 35mm DIN Rail Adapters to the bottom of the NET 4 using (2x) M4x6 screws.



2. Mount the NET 4 by aligning the 35mm DIN Rail Adapters with the slots on the 35mm DIN rail. Slide the NET 4 onto the rail until it clicks or locks into place securely.

35mm DIN Rail

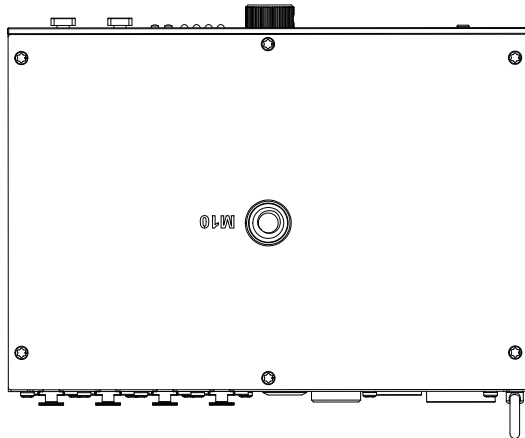


INSTALLATION GUIDELINES

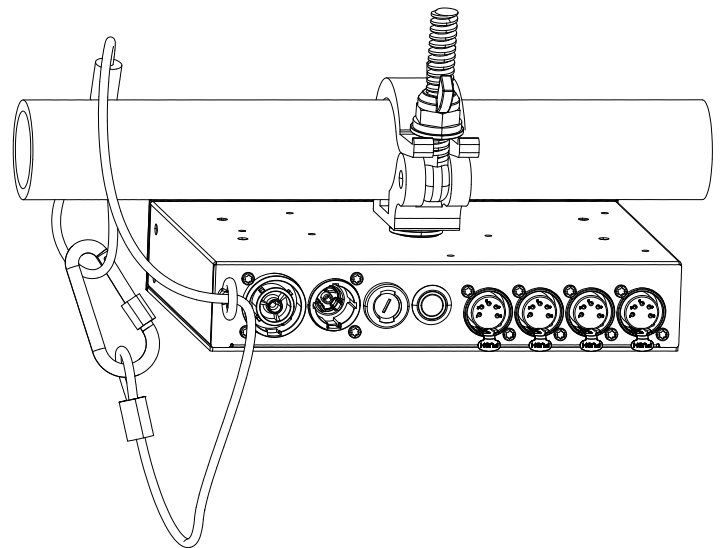
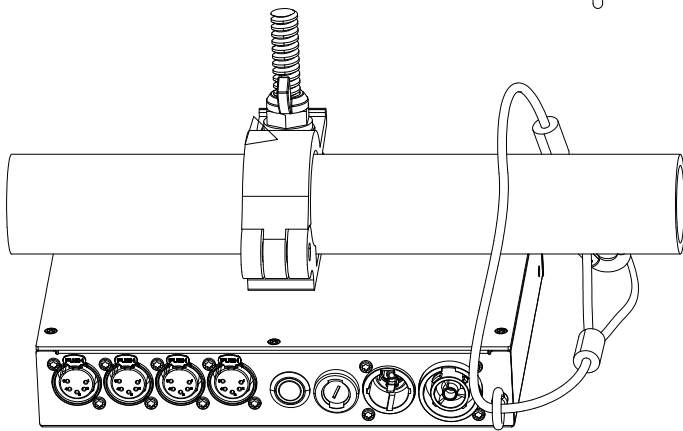
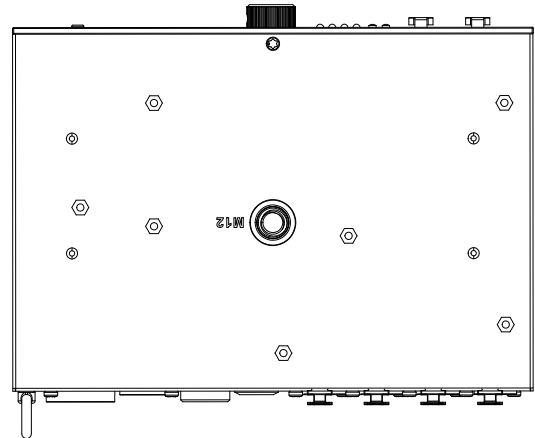
TRUSS MOUNT INSTALLATION

Insert 18.8 steel M10x20mm or M12x25mm bolt (not included) through the respective mounting hole of the clamp (not included), and then thread it into the matching 10M hole (shown below left), or 12M hole (shown below right). The bolt must be threaded at least 18mm (0.7ins) into the fixture base.

M10



M12



SAFETY CABLE

ALWAYS ATTACH AN APPROPRIATELY RATED SAFETY CABLE WHENEVER INSTALLING THIS FIXTURE IN A SUSPENDED ENVIRONMENT TO ENSURE THE FIXTURE WILL NOT FALL IF THE CLAMP FAILS.



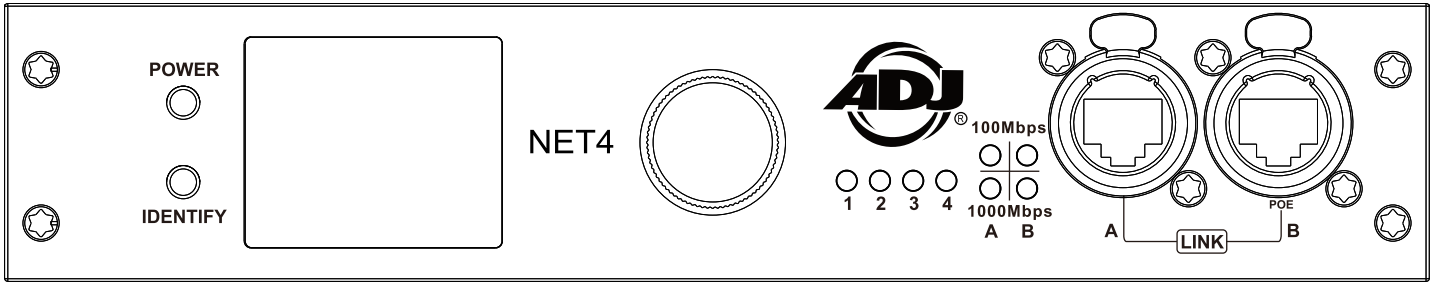
FALLING FIXTURES CAN CAUSE SEVERE INJURY OR SERIOUS EQUIPMENT DAMAGE! FOR THIS REASON, FIXTURES SHOULD BE INSTALLED AND INSPECTED ONLY BY QUALIFIED PERSONNEL. DO NOT INSTALL THE UNIT IF YOU LACK THE QUALIFICATIONS TO DO SO, OR IF YOU HAVE DOUBTS ABOUT THE SAFETY AND SECURITY OF THE INSTALLATION SETUP OR LOCATION!



ALWAYS ATTACH A SAFETY CABLE WHENEVER INSTALLING THIS FIXTURE IN A SUSPENDED ENVIRONMENT TO ENSURE THE FIXTURE WILL NOT FALL IF THE CLAMP FAILS.

SYSTEM MENU

The Net 4 features an OLED display screen with an Encoder Knob, which can be used to easily adjust any device settings, turn to scroll, push-to-select.



MAIN MENU	OPTIONS / VALUES (Default Settings in BOLD)			
Network	IP Mode	DHCP, Static		
	IP Address	2.xx.xx.xx	2.xx.xx.xx	
	Subnet Mask	255.0.0.0	255.0.0.0	
Personality	Splitter	Mode	Off , Port 1 In x3 Out	
	Signal Loss	Hold Last , Playback Scene(s), All channels zero		
	Display	Timeout	Always, 30Sec, 1Min , 5Min	
		Brightness	1-10 (8)	
	LEDs	0-10 (5)		
	Device Label	NET 4		
	Clock	Set Date	xx-xx-xxxx - Monday - Sunday	
		Format	12 or 24 Hour	
		Set Time	(HH:MM AM/PM) or (HH:MM)	
		Daylight Savings	Enable / Disable	
Factory Reset	Passcode: xxx (011)	Yes / No		
Memories	Store Scene	Scene 1-100	Scene 1	
		Save Scene	Yes / No	
	Edit Scene	Scene 1-100		
		Save Scene	Yes / No	
	Playback Scene	Scene 1-100	Disabled , Scene 1-100	
	Store Show	Show 1-24	Step 1, Scene 1-100	Hold Time (00:05) Fade Time (00:00)
			Step 2, Scene 1-100	Hold Time (XX:XX) Fade Time (XX:XX)
			...	
		Step 50, Scene 1-100	Hold Time (XX:XX) Fade Time (XX:XX)	
		Save Show	Yes / No	
	Playback Show	Play Once	Disabled , Show 1-24	
		Loop	Disabled , Show 1-24	
	Edit Show	Show 1-24	Step 1-50, Scene 1-100	Hold Time (XX:XX) Fade Time (XX:XX0)
		Save Show	Yes / No	
	Create Event	Event Number	Event 1-10	
		Set Event Type	Scene 1-100 or Show 1-24	
		Set Event Day(s)	Monday - Sunday	
		Set Event ON Time	Enter the ON time for the event (HH:MM AM/PM) or (HH:MM)	
Set Event OFF Time		Enter the OFF time for the event (HH:MM AM/PM) or (HH:MM)		
Trigger Event	Enable/ Disable	Event 1-10		
	Artnet /sACN/DMX	Set Starting DMX Address 1-510		

SYSTEM MENU

MAIN MENU	OPTIONS / VALUES (Default Settings in BOLD)		
Ports	Port 1	Mode	Input, Output , Off
		Protocol	ArtNet , sACN
		Universe	1 - 32767
		Range	From: 1 - 512 To: 1 - 512
		Frame Rate	20Hz, 25Hz, 30Hz , 35Hz, 40Hz
		RDM	Enable , Disable
	Port 2	Mode	Input, Output , Off
		Protocol	ArtNet , sACN
		Universe	1 - 32767
		Range	From: 1 - 512 To: 1 - 512
		Frame Rate	20Hz, 25Hz, 30Hz , 35Hz, 40Hz
		RDM	Enable , Disable
	Port 3	Mode	Input, Output , Off
		Protocol	ArtNet , sACN
		Universe	1 - 32767
		Range	From: 1 - 512 To: 1 - 512
		Frame Rate	20Hz, 25Hz, 30Hz , 35Hz, 40Hz
		RDM	Enable , Disable
	Port 4	Mode	Input, Output , Off
		Protocol	ArtNet , sACN
Universe		1 - 32767	
Range		From: 1 - 512 To: 1 - 512	
Frame Rate		20Hz, 25Hz, 30Hz , 35Hz, 40Hz	
RDM		Enable , Disable	
Info	Device On Time	Time: XXXXX(H)	
	MAC Address	x:x:x:x:x	
	RDM UID	xxxxxxx	
	IP Address	xxx.xxx.xxx.xxx	
	Software Version	x.xx	

DMX TRIGGER CHART

DMX Channel	DMX Values
Starting DMX Channel (1-510)	Event Selection
	0-9 = OFF
	10-19 = Event 1
	20-29 = Event 2
	30-39 = Evnet 3
	40-49 = Evnet 4
	50-59 = Evnet 5
	60-69 = Evnet 6
	70-79 = Evnet 7
	80-89 = Evnet 8
	90-99 = Evnet 9
100-109 = Evnet 10	
Starting Channel +1	Play, Pause & Stop Event
	0-79 = Pause
	80-159 = Play
Starting Channel +2	Blackout Event
	0-127 = Normal Output
	128-255 = Blackout

DMX Trigger uses three DMX channels to select the event, play, pause, stop the event and blackout the event.

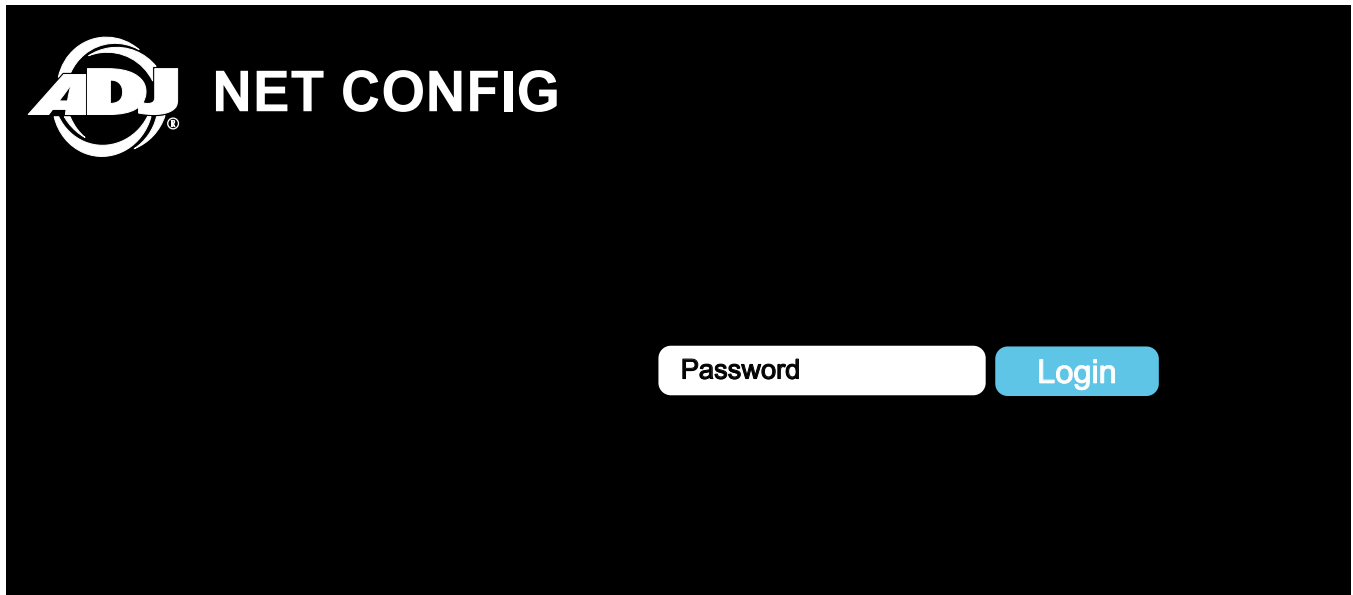
WEB CONFIGURATION

DHCP mode

When setting up the DHCP Mode, the controller will display its WEB IP address. Note that the following is an example WEB IP address only, and will be different.

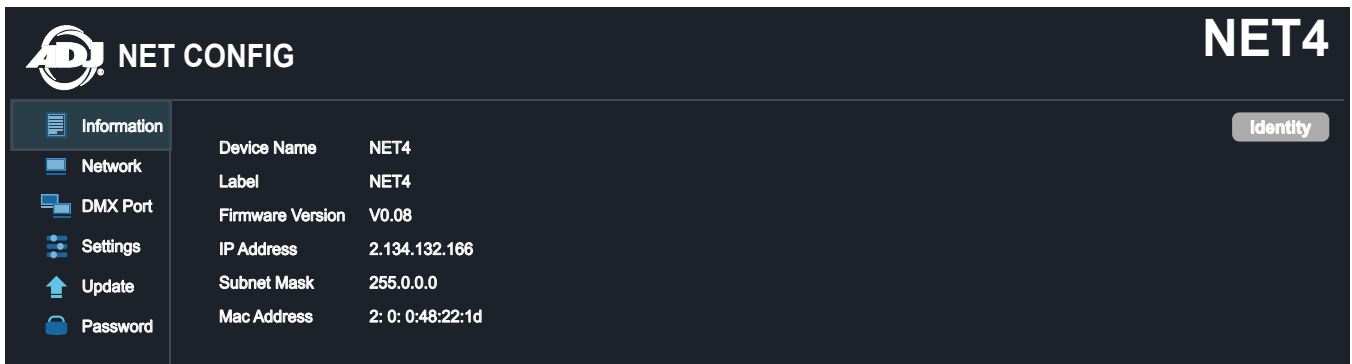
```
--- DHCP ---  
192.168.0.14  
255.255.255.0  
2: 0: 0:31: b:88
```

Enter the IP address in your browser.



Enter password: ADJAdmin

The controller parameters can now be configured.



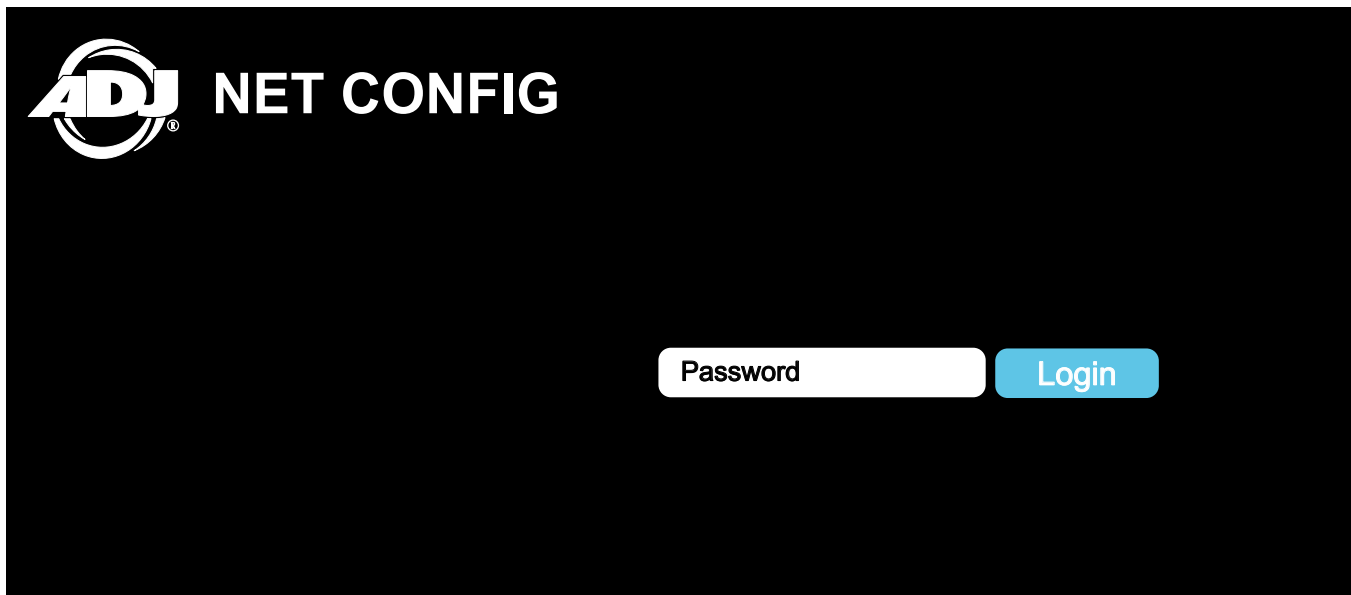
WEB CONFIGURATION

Static mode

When setting up the Static Mode, the controller will display its WEB IP address. Note that the following is an example WEB IP address only, and will be different.

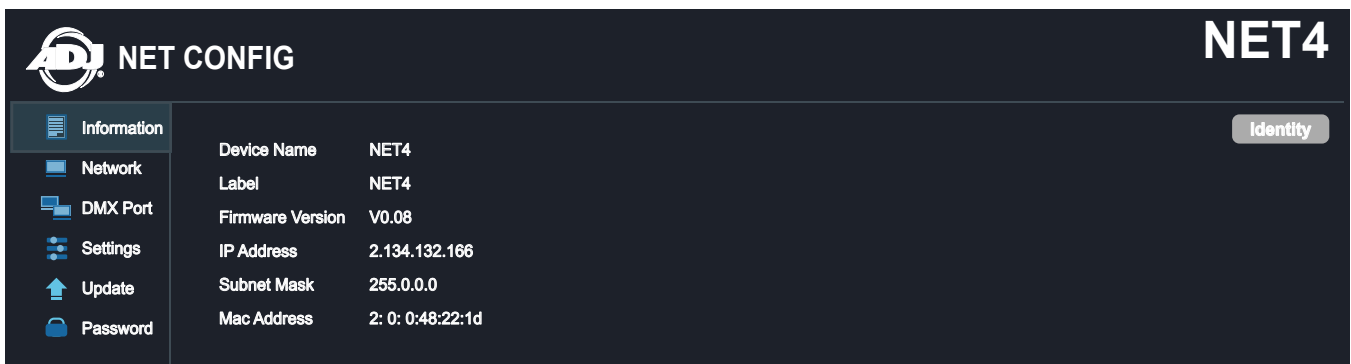
```
--- Static ---  
2.98.143.232  
255.0.0.0  
2: 0: 0:31: b:88
```

Ensure that your computer and device share the same IP address range and are connected. Enter the IP address into your browser.



Enter password: ADJAdmin

The controller parameters can now be configured.



MAINTENANCE GUIDELINES

DISCONNECT POWER BEFORE PERFORMING ANY MAINTENANCE!

FUSE REPLACEMENT

Locate and remove the unit's power cord. Once the cord has been removed, locate the fuse holder next to the power socket. Insert a flat-head screw driver into the slot, and gently turn the cover of the fuse holder. Remove the bad fuse, and replace with a new one. Double check silkscreen for fuse value (T1.25A/250V).

CLEANING

Frequent cleaning is recommended to ensure proper function, optimized light output, and an extended life. The frequency of cleaning depends on the environment in which the fixture operates: damp, smoky, or particularly dirty environments can cause greater accumulation of dirt on the fixture's optics. Clean the external lens surface periodically with a soft cloth to avoid dirt/debris accumulation.

NEVER use alcohol, solvents, or ammonia-based cleaners.

MAINTENANCE

Regular inspections are recommended to ensure proper function and extended life.

There are no user serviceable parts inside this fixture, please refer all other service issues to an authorized ADJ service technician. Should you need any spare parts, please order genuine parts from your local ADJ dealer.

Please refer to the following points during routine inspections:

- A detailed electrical check by an approved electrical engineer every three months, to make sure the circuit contacts are in good condition in order to prevent overheating.
- Be sure all screws and fasteners are securely tightened at all times. Loose screws may fall out during normal operation, resulting in damage or injury as larger parts could fall.
- Check for any deformations on the housing, rigging hardware, and rigging points (ceiling, suspension, trussing).
- Electric power supply cables must not show any damage, material fatigue, or sediments.
- **NEVER** remove the ground prong from the power cable.

SPECIFICATIONS

Features:

ArtNet / sACN /DMX, 4 Port Node
Line Voltage or Power over Ethernet (PoE) powered
DHCP or Static IP Address
1.7"LCD Display
Configurable from unit menu or web browser

Protocols:

DMX512, RDM, Artnet, sACN

Physical:

M10 & M12 Threads for rigging
Safety eyelet
2x Indoor RJ45 Input & Output
4x 5pin XLR Input / Output

Dimensions & Weight:

Length: 5.93" (150.5mm)
Width: 8.48" (215.3mm)
Height: 1.66" (42mm)
Weight: 3.16lbs. (1.43kg)

Power:

AC Input 95-240V, 50/60Hz
PoE 802.3af
AC Power: 15W
PoE Power: 15W
Power Consumption: 3.7W @ 120V and 4W @ 230V
Power Input Protection: Fuse, T1.25A/250 (5.2x20mm)

Thermal:

Ambient Operational Temperature: -4°F to 113°F (-20°C to 45°C)
Humidity: <75%
Storage Temperature: 77°F (25°C)

Certifications & IP Rating:

CE, cETLus (Pending), FCC, IP20

Included Accessories:

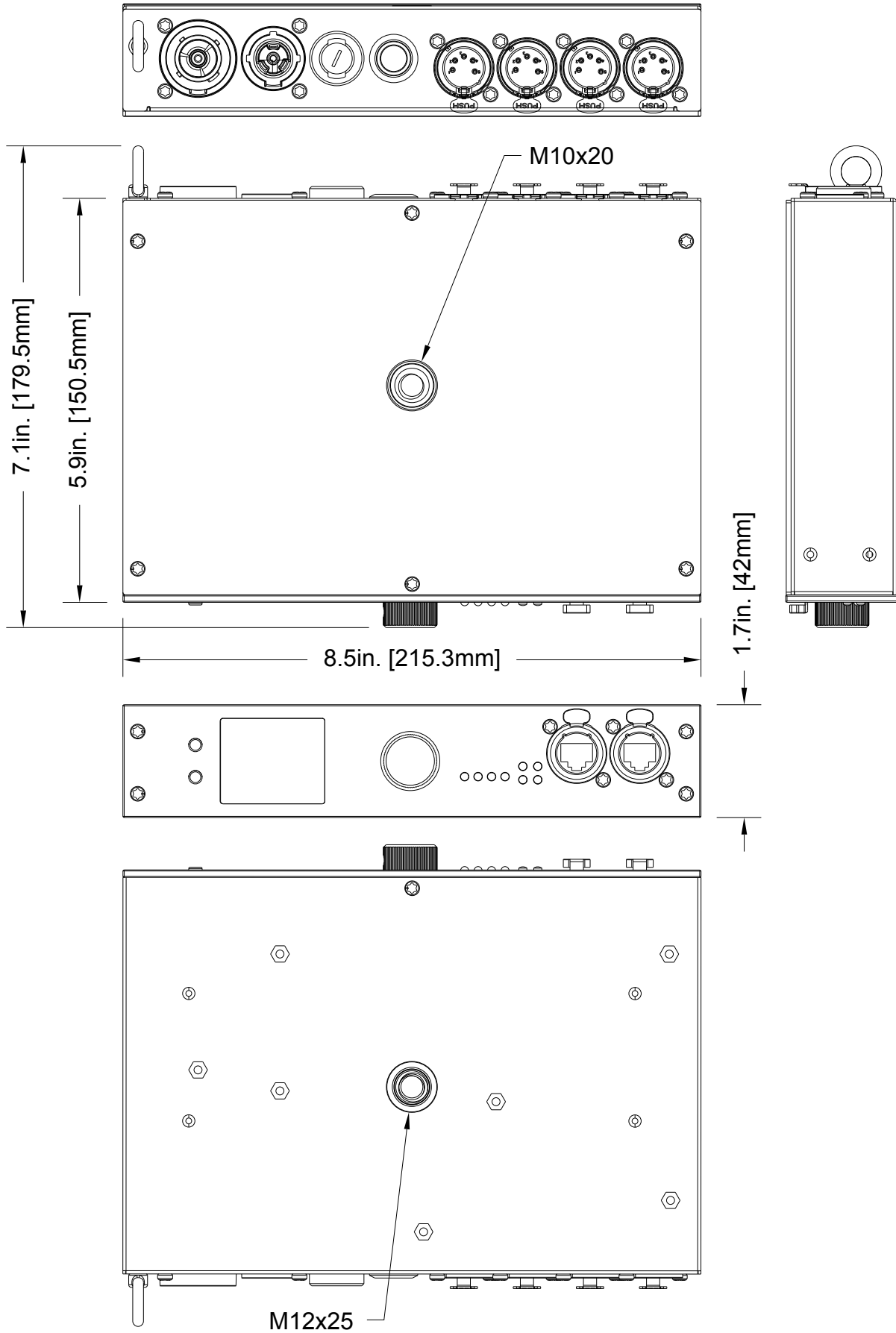
Outdoor locking power cord

Optional Accessories:

Aria X2 Shelf
35mm Din Rail adapter (2pcs. Required)

DIMENSION DRAWINGS

Drawings not to scale



OPTIONAL ACCESSORIES

ORDER CODE		ITEM
US	EU	
NET400	1321000085	NET 4
AC5PDMX5PRO	N/A	5 ft. (1.5m) 5pin PRO DMX Cable
		Additional Cable Lengths Available



FCC STATEMENT

This device complies with Part 15 of the FCC Rules. Operation is subject to the following two conditions: (1) this device may not cause harmful interference, and (2) this device must accept any interference received, including interference that may cause undesired operation.

FCC RADIO FREQUENCY INTERFERENCE WARNINGS & INSTRUCTIONS

This product has been tested and found to comply with the limits as per Part 15 of the FCC Rules. These limits are designed to provide reasonable protection against harmful interference in a residential installation. This device uses and can radiate radio frequency energy and, if not installed and used in accordance with the included instructions, may cause harmful interference to radio communications. However, there is no guarantee that interference will not occur in a particular installation. If this device does cause harmful interference to radio or television reception, which can be determined by turning the device off and on, the user is encouraged to try to correct the interference by one or more of the following methods:

- Reorient or relocate the device.
- Increase the separation between the device and the receiver.
- Connect the device to an electrical outlet on a circuit different from which the radio receiver is connected.
- Consult the dealer or an experienced radio/TV technician for help.

Energy Saving Matters (EuP 2009/125/EC)

Saving electric energy is a key to help protecting the environment. Please turn off all electrical products when they are not in use. To avoid power consumption in idle mode, disconnect all electrical equipment from power when not in use. Thank you!

