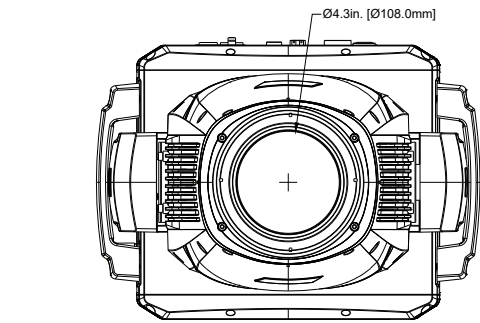
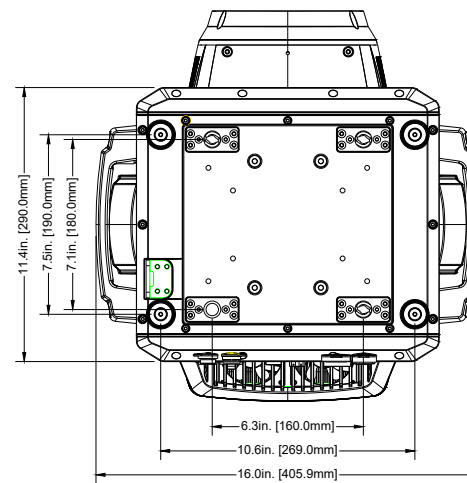
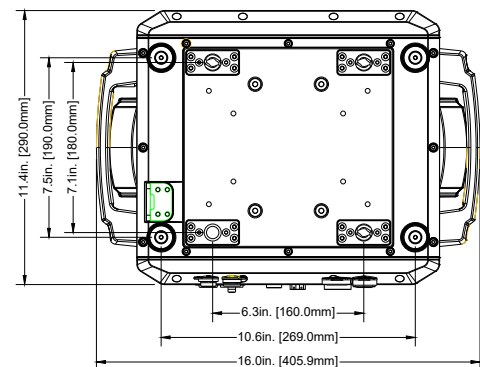
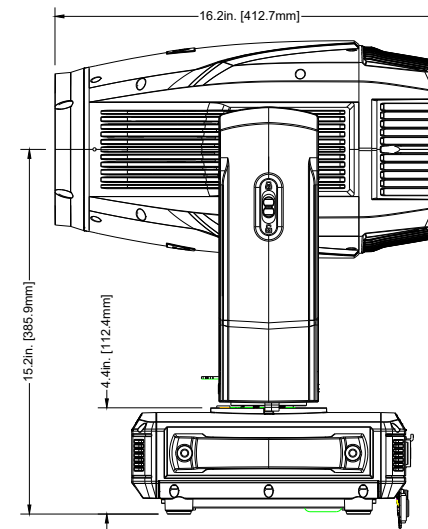
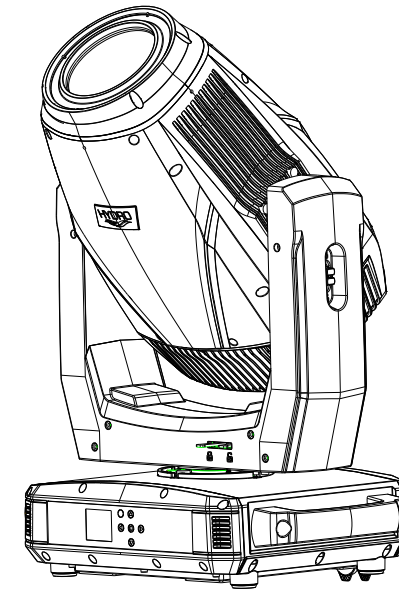
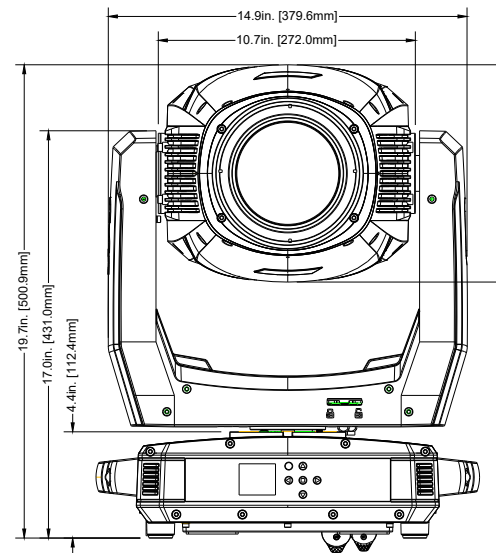
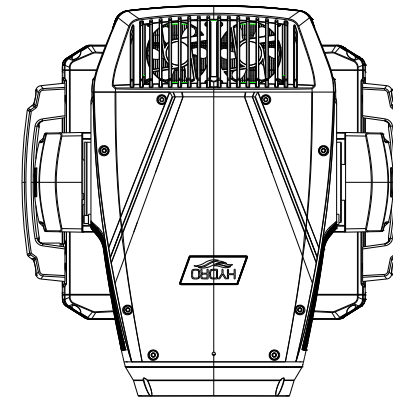
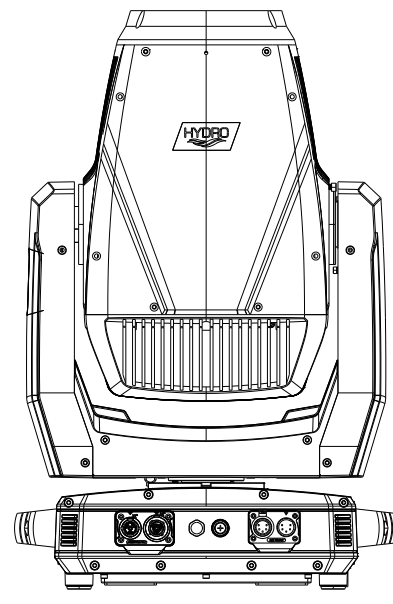
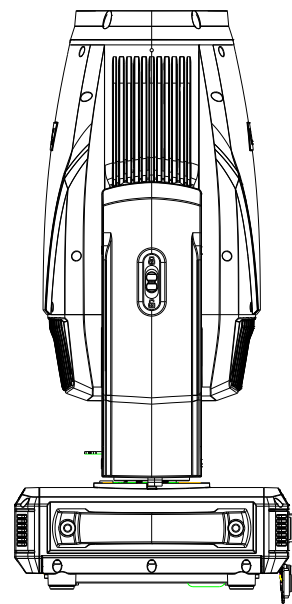
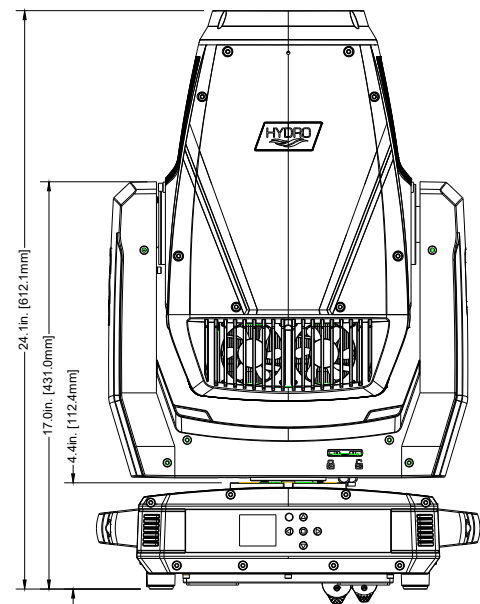


©ADJ PRODUCTS, LLC all rights reserved. Information contained within this drawing is proprietary and confidential. Any reproduction and/or distribution of any part of this drawing without the written consent of Elaton Professional is strictly prohibited. Diagrams and/or measurements herein subject to change without notice.



Ø4.3in. [Ø108.0mm]



TITLE: ADJ HYDRO SPOT 2			DATE: 220614
SCALE: NONE	TOL: ±	.XX(X) -	.XXX(.XX) -
			ANGLE: -