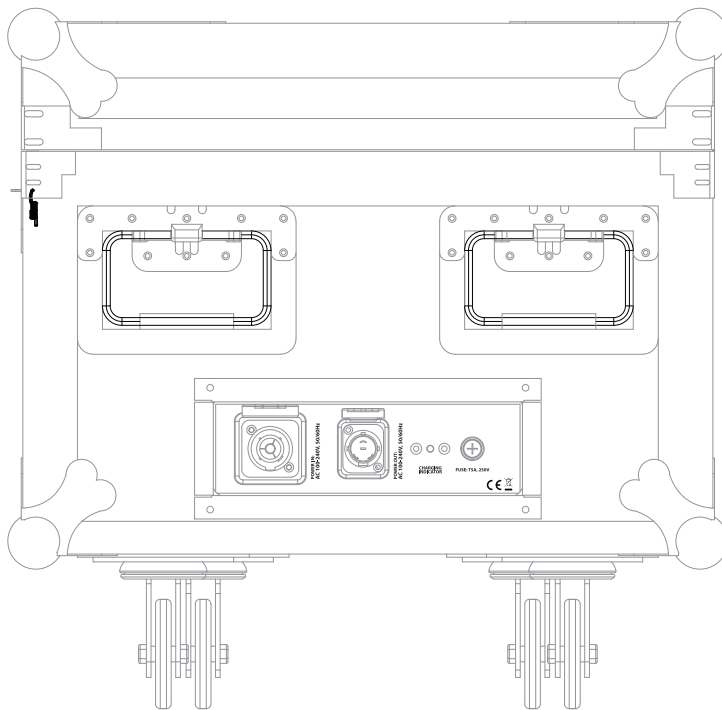




ELEMENT H6 FC



User Manual

©2022 ADJ Products, LLC all rights reserved. Information, specifications, diagrams, images, and instructions herein are subject to change without notice. ADJ Products, LLC logo and identifying product names and numbers herein are trademarks of ADJ Products, LLC. Copyright protection claimed includes all forms and matters of copyrightable materials and information now allowed by statutory or judicial law or hereinafter granted. Product names used in this document may be trademarks or registered trademarks of their respective companies and are hereby acknowledged. All non-ADJ Products, LLC brands and product names are trademarks or registered trademarks of their respective companies.

ADJ Products, LLC and all affiliated companies hereby disclaim any and all liabilities for property, equipment, building, and electrical damages, injuries to any persons, and direct or indirect economic loss associated with the use or reliance of any information contained within this document, and/or as a result of the improper, unsafe, insufficient and negligent assembly, installation, rigging, and operation of this product.

DOCUMENT VERSION

Due to additional product features and/or enhancements, an updated version of this document may be available online.

Please check www.adj.com for the latest revision/update of this manual before beginning installation and/or programming.

Date	Document Version	Software Version	DMX Channels	Notes
10/05/2022	1.0	N/A	N/A	Initial Release

Europe Energy Saving Notice

Energy Saving Matters (EuP 2009/125/EC)

Saving electric energy is a key to help protecting the environment. Please turn off all electrical products when they are not in use. To avoid power consumption in idle mode, disconnect all electrical equipment from power when not in use. Thank you!

TABLE OF CONTENTS

General Information	4
Key Features / Warranty Returns	5
Limited Warranty	6
Safety Guidelines	7
Overview	9
In-Case Charging	10
Cleaning & Maintenance	11
Fuse Replacement	12
Dimensional Drawings	13
Specifications	14

GENERAL INFORMATION

Introduction: Congratulations on your purchase of the ADJ **ELEMENT H6 FC**! The ELEMENT H6 FC is a charging flight case for (6) Element H IP units, and comes with an IR remote and charging cable. This unit has been designed to perform reliably for years when the guidelines in this booklet are followed. Please read and understand the instructions in this manual carefully and thoroughly before attempting to operate the included devices. These instructions contain important information regarding safety during use and maintenance.

Please keep this manual with the device for future reference.

Customer Support: Contact ADJ Service for any product related service and support needs. Also visit forums.adj.com with questions, comments or suggestions.

Parts: To purchase parts online visit:

<http://parts.adj.com> (US)

<http://www.adjparts.eu> (EU)

ADJ SERVICE USA - Monday - Friday 8:00am to 4:30pm PST

Voice: 800-322-6337 | Fax: 323-582-2941 | support@adj.com

ADJ SERVICE EUROPE - Monday - Friday 08:30 to 17:00 CET

Voice: +31 45 546 85 60 | Fax: +31 45 546 85 96 | support@adj.eu

ADJ PRODUCTS LLC USA

6122 S. Eastern Ave. Los Angeles, CA. 90040

323-582-2650 | Fax 323-532-2941 | www.adj.com | info@adj.com

ADJ SUPPLY Europe B.V

Junostraat 2 6468 EW Kerkrade, The Netherlands

+31 (0)45 546 85 00 | Fax +31 45 546 85 99

www.adj.eu | info@adj.eu

ADJ PRODUCTS GROUP Mexico

AV Santa Ana 30 Parque Industrial Lerma, Lerma, Mexico 52000

+52 (728) 282-7070

WARNING! To prevent or reduce the risk of electrical shock or fire, do not expose the charging flight case to rain or moisture.

CAUTION! There are no user serviceable parts inside these units. Do not attempt any repairs yourself, as doing so will void your manufacturer's warranty. In the unlikely event your unit may require service, please contact ADJ Products, LLC.

Do not discard the shipping carton in the trash. Please recycle when ever possible.

KEY FEATURES

CASE FEATURES

- Houses / Transports and Charges (6) Element H6 fixtures (not included)
- Power Input/Output: AC 100-240V, 50/60Hz
- Charging Status Indicator
- Storage Compartment

WARRANTY RETURNS

All returned service items, whether under warranty or not, must be freight pre-paid and accompanied by a return authorization (R.A.) number. The R.A. number must be clearly written on the outside of the return package. A brief description of the problem as well as the R.A. number must also be written down on a piece of paper included in the shipping carton. If the unit is under warranty, you must provide a copy of your proof of purchase invoice. You may obtain an R.A. number by contacting our customer support team. All packages returned to the service department not displaying an R.A. number on the outside of the package will be returned to the shipper.

LIMITED WARRANTY (USA ONLY)

- A. ADJ Products, LLC hereby warrants, to the original purchaser, ADJ Products, LLC products to be free of manufacturing defects in material and workmanship for a prescribed period from the date of purchase (see specific warranty period on reverse). This warranty shall be valid only if the product is purchased within the United States of America, including possessions and territories. It is the owner's responsibility to establish the date and place of purchase by acceptable evidence, at the time service is sought.
- B. For warranty service, you must obtain a Return Authorization number (RA#) before sending the product back—please contact ADJ Products, LLC Service Department at 800-322-6337. Send the product only to the ADJ Products, LLC factory. All shipping charges must be prepaid. If the requested repairs or service (including parts replacement) are within the terms of this warranty, ADJ Products, LLC will pay return shipping charges only to a designated point within the United States. If the entire instrument is sent, it must be shipped in its original package and packaging material. No accessories should be shipped with the product. If any accessories are shipped with the product, ADJ Products, LLC shall incur no liability whatsoever for loss of or damage to any such accessories, nor for the safe return thereof.
- C. This warranty is void if the product serial number and/or labels are altered or removed; if the product is modified in any manner which ADJ Products, LLC concludes, after inspection, affects the reliability of the product; if the product has been repaired or serviced by anyone other than the ADJ Products, LLC factory unless prior written authorization was issued to purchaser by ADJ Products, LLC; if the product is damaged because it was not properly maintained as set forth in the product instructions, guidelines and/or user manual.
- D. This is not a service contract, and this warranty does not include maintenance, cleaning, or periodic check-up. During the period specified above, ADJ Products, LLC will replace defective parts at its expense with new or refurbished parts, and will absorb all expenses for warranty service and repair labor by reason of defects in material or workmanship. The sole responsibility of ADJ Products, LLC under this warranty shall be limited to the repair of the product, or replacement thereof, including parts, at the sole discretion of ADJ Products, LLC. All products covered by this warranty were manufactured after August 15, 2012, and bear identifying marks to that effect.
- E. ADJ Products, LLC reserves the right to make changes in design and/or improvements upon its products without any obligation to include these changes in any products theretofore manufactured.
- F. No warranty, whether expressed or implied, is given or made with respect to any accessory supplied with products described above. Except to the extent prohibited by applicable law, all implied warranties made by ADJ Products, LLC in connection with this product, including warranties of merchantability or fitness, are limited in duration to the warranty period set forth above. And all warranties, whether expressed or implied, including warranties of merchantability or fitness, are limited in duration to the warranty period set forth above. The consumer's and/or dealer's sole remedy shall be such repair or replacement as is expressly provided above; and under no circumstances shall ADJ Product, LLC be liable for any loss and/or damage, direct and/or consequential arising out of the use of, and/or inability to use this product.
- G. This warranty is the only written warranty applicable to ADJ Products, LLC products, and supersedes all prior warranties and written descriptions of warranty terms and conditions heretofore published.

MANUFACTURER'S LIMITED WARRANTY PERIODS:

- Non-LED Lighting Products = 1-Year (365 Days) (Including Special Effect Lighting, Intelligent Lighting, UV lighting, Strobes, Fog Machines, Bubble Machines, Mirror Balls, Par Cans, Trussing, Lighting Stands, Power/Data Distribution, etc. excluding LED and lamps)
- Laser Products = 1-Year (365 Days) (excluding laser diodes which have a 6-Month Limited Warranty)
- LED Products = 2-Year (730 Days) (excluding batteries which have a 180 Day Limited Warranty)
- NOTE: 2-Year (730 Days) Limited Warranty ONLY applies to product purchased within the United States. StarTec Series = 1-Year (365 Days) (excluding batteries which have a 180 Day Limited Warranty)
- ADJ DMX Controllers = 2 Year (730 Days)
- American Audio Products = 1 Year (365 Days)

SAFETY GUIDELINES

For Your Own Personal Safety, Please Read and Understand This Manual Completely Before You Attempt To Install Or Operate This Unit!

- Be sure to save the packing carton in the unlikely event the device may have to be returned for service.
- Do not spill water or other liquids into or on to the flight case.
- Be sure that the local power outlet matches the required voltage for the device.
- Do not open up the device for any reason. There are no user serviceable parts inside.
- Disconnect the device's main power when left unused for long periods of time.
- Never connect this device to a dimmer pack.
- Do not attempt to operate this device if it has been damaged in any way.
- To reduce the risk of electrical shock or fire, do not expose the charging flight case to rain or moisture.
- Do not attempt to operate this device if the power cord has been frayed or broken.
- Do not attempt to remove or break off the ground prong from the electrical cord. This prong is used to reduce the risk of electrical shock and fire in case of an internal short.
- Never block the ventilation holes. Always be sure to mount this device in an area that will allow proper ventilation. Allow about 6" (15cm) between this device and a wall.
- Please route your power cord out of the way of foot traffic. Power cords should be routed so they are not likely to be walked on, or pinched by items placed upon or against them

Operating temperature range for this fixture is -4 to 113 degrees F (-20 to 45 degrees C). Do not operate this device when ambient temperature falls outside this range!

Keep flammable materials away from this fixture!

FLIGHT CASE AND CHARGING DEVICES ARE DESIGNED FOR INDOOR USE ONLY! DO NOT EXPOSE TO RAIN OR MOISTURE!

The device should be serviced by qualified service personnel when:

- A. The power-supply cord or the plug has been damaged.
- B. Objects have fallen on, or liquid has been spilled into, the device.
- C. The flight case or charging devices have been exposed to rain or water.
- D. The unit does not appear to operate normally or exhibits a marked change in performance.

SAFETY GUIDELINES

FLIGHT CASE LID

When opening the flight case, the lid must be locked in place manually. The lid support prop is located on the right-hand side of the flight case, near the power cable storage compartment. The lower end of the prop is fixed to the flight case, and the disconnected upper end contains a cut-out groove.

Once the lid has been opened, lift the upper end of the support bar and attach it to the recessed catch on the underside of the lid, along the right-hand side. Make sure that the catch is fully seated in the support bar's groove before reaching into the flight case.

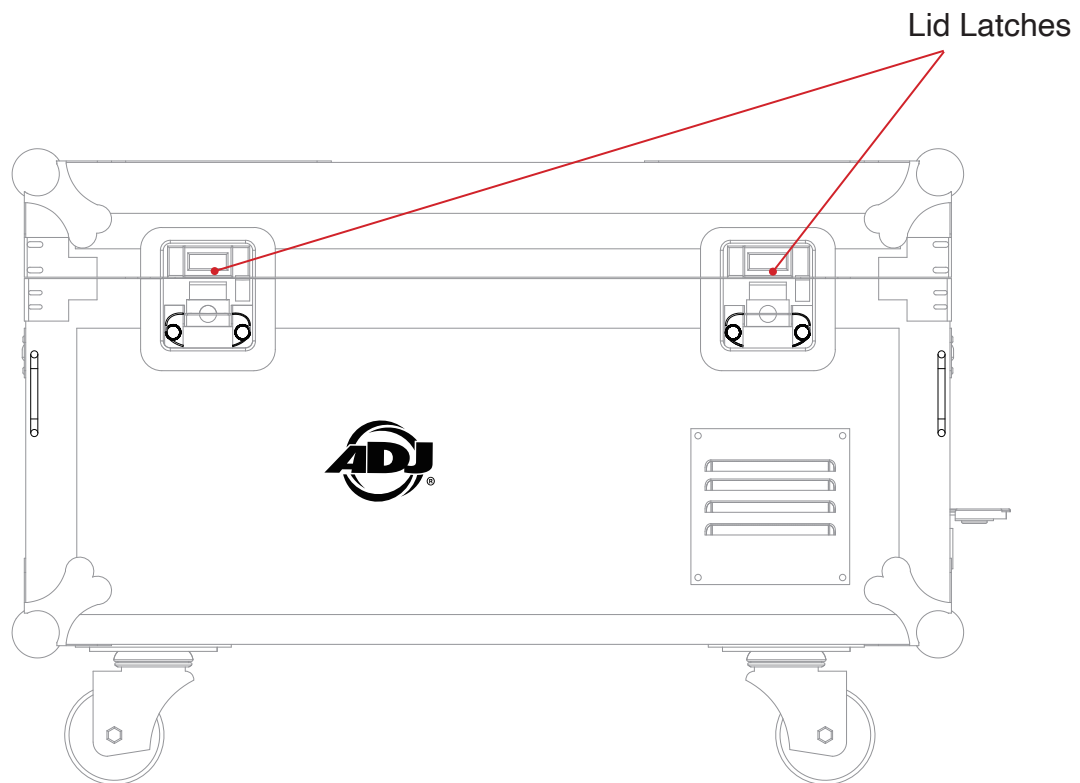
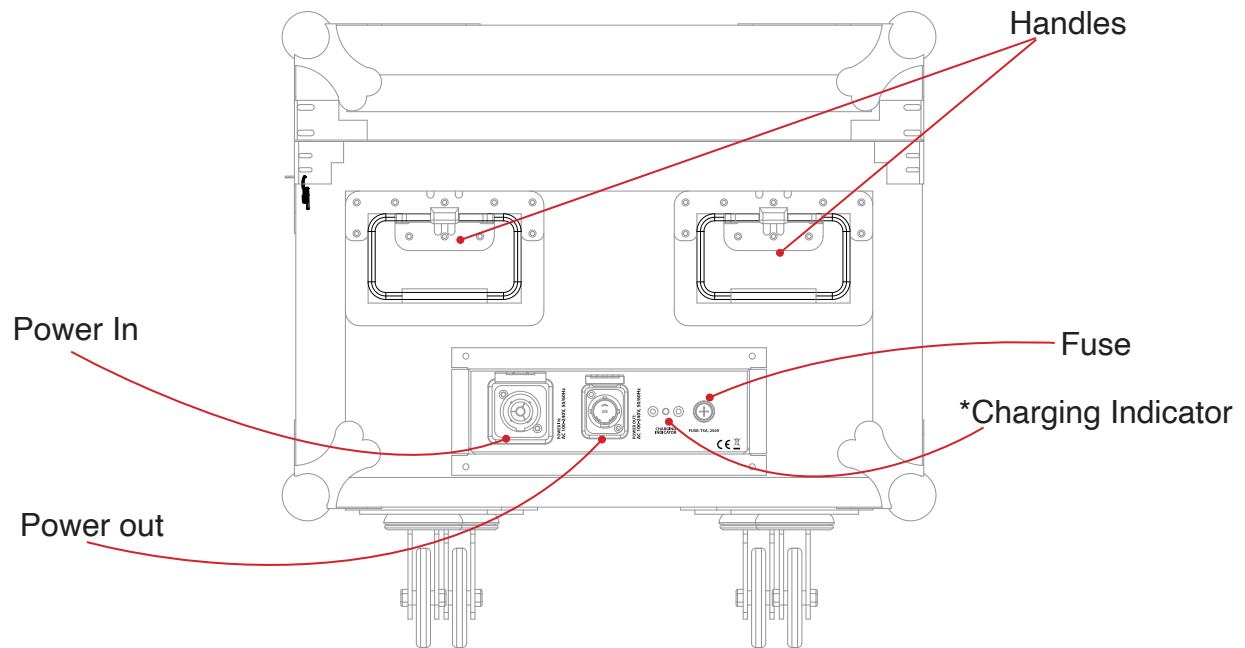
FAILURE TO PROPERLY FOLLOW THIS PROCEDURE CAN RESULT IN PERSONAL INJURY OR DAMAGE TO THE DEVICE, AS THE LID MAY SWING SHUT WITHOUT WARNING!

See the illustration below for reference.



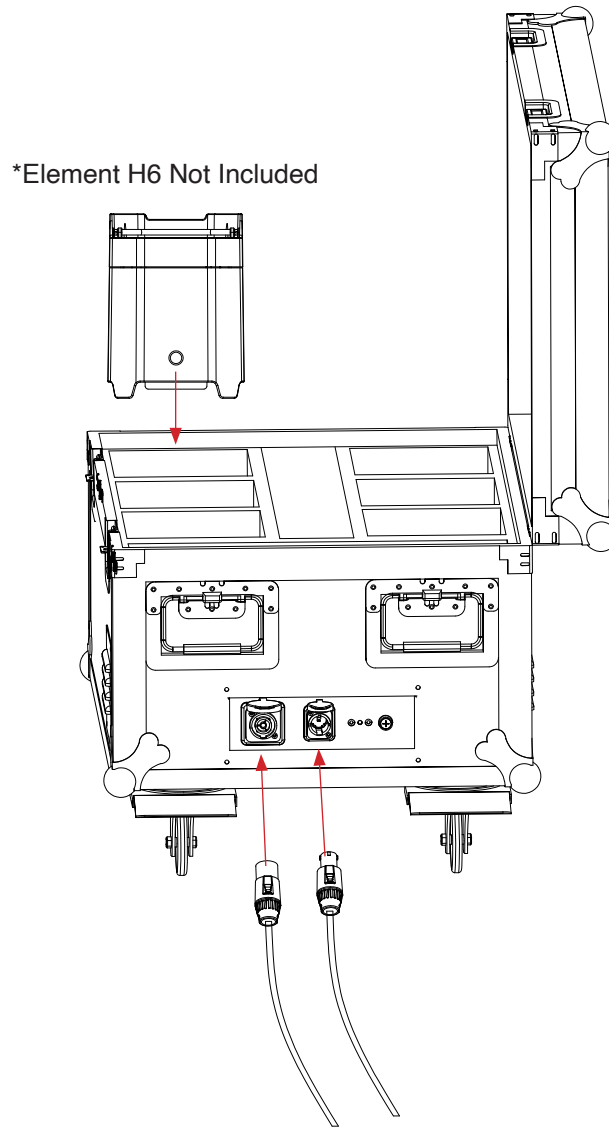
OVERVIEW

FLIGHT CASE



***Note: Charge indicator is red when charging, and green when complete. Charge indicator on the case displays charge status of the entire six-unit set. For individual charge status, please refer to the charge indicator on each individual unit.**

IN-CASE CHARGING



1. Lock the wheel casters by pressing down on the levers located near each caster.
2. Disengage the two latches and raise the case lid.
3. Once the lid has been opened, lift the upper end of the support bar and attach it to the recessed catch on the underside of the lid, along the right-hand side. Make sure that the catch is fully seated in the support bar's groove before reaching into the flight case. Please refer to safety section for detailed details (page 8).
4. Connect the included power cable into the Power-In port. If power linking cases together, please refer to the Daisy Chain Power Linkage section of this manual for details (page 11).
5. Place an ADJ **Element H6** in any one of the charging compartments in the flight case. Up to (6) units can be charged at one time. The charging indicator located beside the power ports will illuminate to indicate that your device is charging. ***It is strongly recommended to leave the case lid open during the charging process.***

CLEANING & MAINTENANCE

WARNING! DISCONNECT UNIT FROM POWER BEFORE PERFORMING ANY CLEANING OR MAINTENANCE PROCEDURES!

ALWAYS ALLOW THE FIXTURE TO COOL FOR AT LEAST 15 MINUTES BEFORE PERFORMING ANY CLEANING OR MAINTENANCE!

CLEANING

Frequent cleaning is recommended to ensure proper function. The frequency of cleaning depends on the environment in which the unit is kept. Clean periodically with a soft cloth to avoid dirt/debris accumulation.

NEVER use alcohol, solvents, or ammonia-based cleaners.

MAINTENANCE

Regular inspections are recommended to ensure proper function and extended life. There are no user serviceable parts inside this fixture. Please refer all other service issues to an authorized ADJ service technician.

Please refer to the following points during routine inspections:

- A detailed electrical check by an approved electrical engineer every three months, to make sure the circuit contacts are in good condition and prevent overheating.
- Be sure all screws and fasteners are securely tightened at all times. Loose screws may fall out during normal operation, resulting in damage or injury as larger parts could fall.
- Electric power supply cables must not show any damage, material fatigue or sediments.

DAISY CHAIN POWER LINKAGE

This feature allows multiple flight cases to be linked together by way of the power input and output sockets. The maximum number of devices that can be connected in this manner is as follows:

- 4 flight cases using a 15-Amp plug.
- 5 flight cases using a 20-Amp plug.

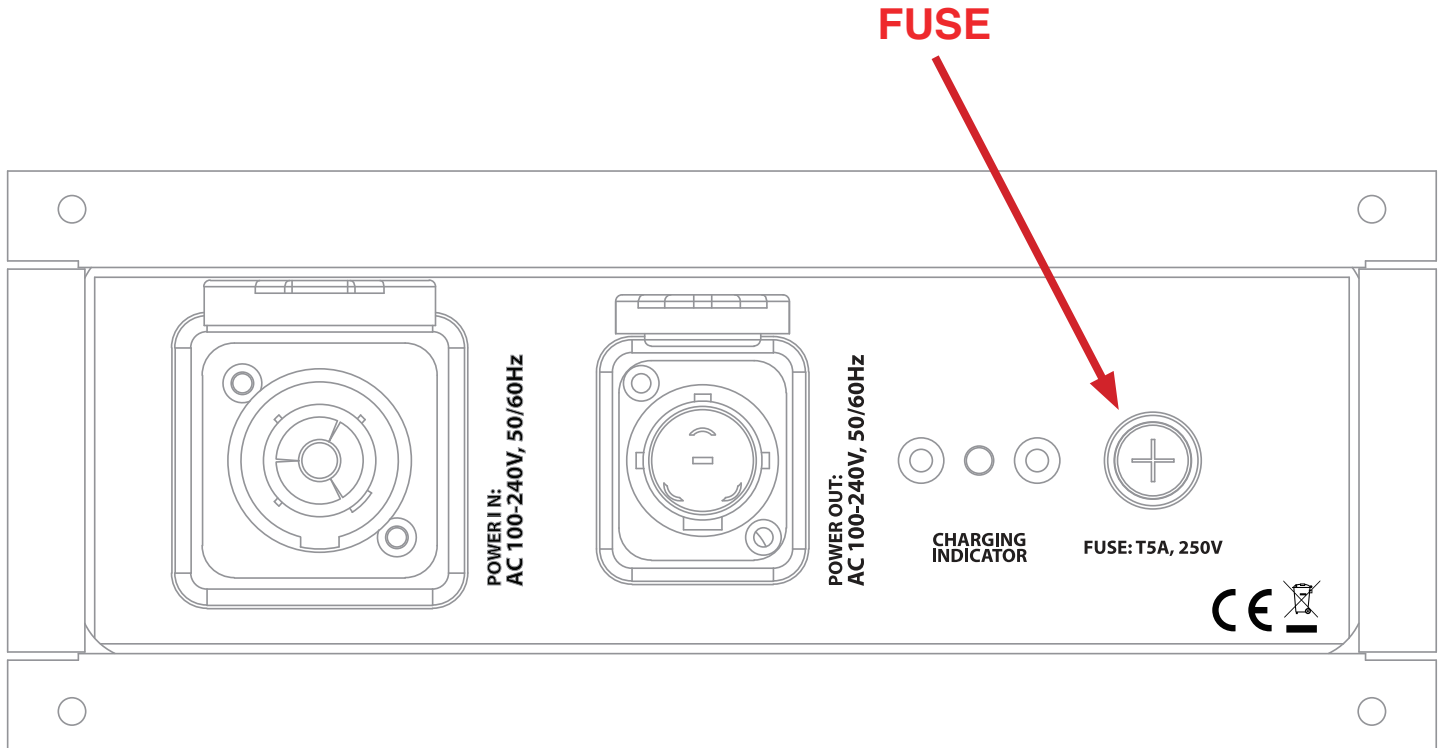
After this quantity has been reached, a new power outlet must be used to accommodate additional charging cases.

It is recommended to leave the case lids open when charging in order to avoid the accumulation of excess heat inside the cases.

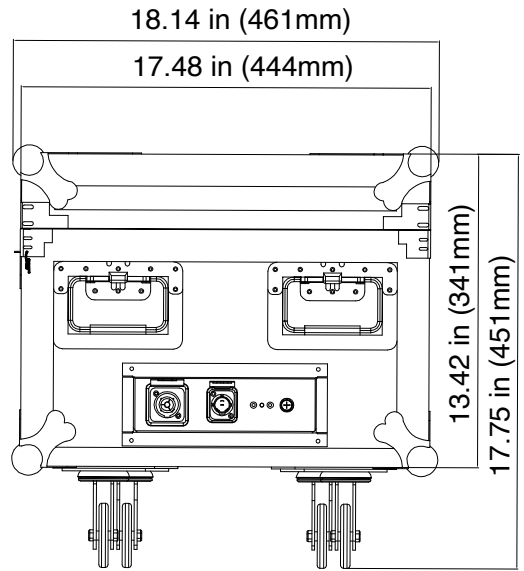
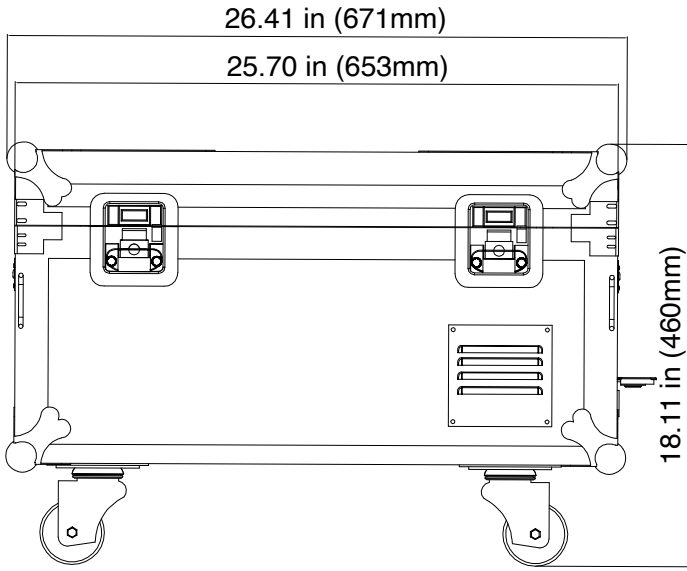
Linked devices must be of the same make and model type. **DO NOT** mix devices!

FUSE REPLACEMENT

The flight case features a replaceable fuse. To replace, disconnect the flight case from the power source, then use a screw driver to unscrew the fuse holder located beside the power ports. Remove the bad fuse and replace with a new one, then screw the fuse holder back in. Replace only with a new fuse of the same type and rating.



DIMENSIONAL DRAWINGS



Dimensions not to scale

SPECIFICATIONS

Included in Element H6 FC

Flight case for 6x Element H IP or Element H IP Chr, 1x UC-IR, 1x AC Cable, 6 x Charging bases

(page intentionally left blank)

