

# FOCUS SPOT 7Z

## User Guide

©2023 ADJ Products, LLC all rights reserved. Information, specifications, diagrams, images, and instructions herein are subject to change without notice. ADJ Products, LLC logo and identifying product names and numbers herein are trademarks of ADJ Products, LLC. Copyright protection claimed includes all forms and matters of copyrightable materials and information now allowed by statutory or judicial law or hereinafter granted. Product names used in this document may be trademarks or registered trademarks of their respective companies and are hereby acknowledged. All non-ADJ Products, LLC brands and product names are trademarks or registered trademarks of their respective companies.

**ADJ Products, LLC** and all affiliated companies hereby disclaim any and all liabilities for property, equipment, building, and electrical damages, injuries to any persons, and direct or indirect economic loss associated with the use or reliance of any information contained within this document, and/or as a result of the improper, unsafe, insufficient and negligent assembly, installation, rigging, and operation of this product.

**ADJ USA** | 6122 S. Eastern Ave. | Los Angeles, CA. 90040  
 323-582-2650 | 323-532-2941 fax | [www.adj.com](http://www.adj.com) | [support@americandj.com](mailto:support@americandj.com)

**ADJ Supply Europe B.V.** | Junostraat 2 | 6468 EW Kerkrade, The Netherlands  
 +31 (0)45 546 85 00 | +31 45 546 85 99 fax | [www.adj.eu](http://www.adj.eu) | [support@adjgroup.eu](mailto:support@adjgroup.eu)

**ADJ Mexico** | AV Santa Ana 30 | Parque Industrial Lerma, Lerma, Mexico 52000  
 +52 (728) 282-7070

## DOCUMENT VERSION



Due to additional product features and/or enhancements, an updated version of this document may be available online.



Please check [www.adj.com](http://www.adj.com) for the latest revision/update of this manual

| Date     | Document Version | Software Version | DMX Channels | Notes           |
|----------|------------------|------------------|--------------|-----------------|
| 01/17/23 | 1                | 1.04             | 30/34/45     | Initial Release |
| 11/15/24 | 2                | N/A              | N/A          | Corrected Typos |
|          |                  |                  |              |                 |
|          |                  |                  |              |                 |
|          |                  |                  |              |                 |
|          |                  |                  |              |                 |

# CONTENTS

|  |           |
|--|-----------|
| <b>General Information</b>                             | <b>4</b>  |
| <b>Limited Warranty (USA Only)</b>                     | <b>5</b>  |
| <b>Safety Guidelines</b>                               | <b>6</b>  |
| <b>Transportation &amp; Handling</b>                   | <b>7</b>  |
| <b>Overview</b>  | <b>8</b>  |
| <b>Gobos &amp; Gobo Replacement</b>                    | <b>9</b>  |
| <b>Gobo Wheels</b>                                     | <b>10</b> |
| <b>Color Flags, Color Wheel, &amp; Animation Wheel</b> | <b>11</b> |
| <b>Installation Guidelines</b>                         | <b>12</b> |
| <b>DMX Setup</b>                                       | <b>16</b> |
| <b>DMX Addressing</b>                                  | <b>17</b> |
| <b>System Menu</b>                                     | <b>18</b> |
| <b>Fan Control &amp; Noise Operation</b>               | <b>23</b> |
| <b>Dimming Curve</b>                                   | <b>24</b> |
| <b>DMX Traits: Channels, Functions, &amp; Values</b>   | <b>25</b> |
| <b>DMX Traits: Color Temperature</b>                   | <b>32</b> |
| <b>Remote Device Management (RDM)</b>                  | <b>33</b> |
| <b>Error Codes</b>                                     | <b>34</b> |
| <b>Maintenance Guidelines</b>                          | <b>35</b> |
| <b>Specifications</b>                                  | <b>36</b> |
| <b>Dimension Drawings</b>                              | <b>37</b> |

# GENERAL

## INTRODUCTION

This fixture has been designed to perform reliably for years when the information in this manual are followed. Please read and understand all the instructions and guidelines carefully and thoroughly before operating this unit. This manual contains important information regarding safety, installation, use, and maintenance.

## UNPACKING

Each fixture has been thoroughly tested and shipped in perfect operating condition. Carefully check the outer shipping carton for signs of any damage that may have occurred during shipping. If the outer carton appears to be damaged, carefully inspect the fixture for damage and be sure all included accessories have arrived intact. In the event damage has been found and/or parts are missing, please contact our customer support team for further instructions. Please do NOT return this fixture to your dealer without first contacting customer support at the number listed below. Please do NOT discard the outer shipping carton in the trash. Please recycle whenever possible.

## SOFTWARE UPDATES

For latest software, and updating procedure, please contact ADJ Customer Support.

**CUSTOMER SUPPORT:** Contact ADJ Service for any product related service and support needs. Also visit [forums.adj.com](https://forums.adj.com) with questions, comments or suggestions.

**ADJ SERVICE USA - Monday - Friday 8:00am to 4:30pm PST**  
Voice: 800-322-6337 | Fax: 323-582-2941 | [support@adj.com](mailto:support@adj.com)

**ADJ SERVICE EUROPE - Monday - Friday 08:30 to 17:00 CET**  
Voice: +31 45 546 85 60 | Fax: +31 45 546 85 96 | [support@adj.eu](mailto:support@adj.eu)

**REPLACEMENT PARTS** please visit [parts.adj.com](https://parts.adj.com)

## WARRANTY RETURNS

All returned service items, whether under warranty or not, must be freight pre-paid and accompanied by a return authorization (R.A.) number. The R.A. number must be clearly written on the outside of the return package. A brief description of the problem as well as the R.A. number must also be written down on a piece of paper and included in the shipping container. If the unit is under warranty, you must provide a copy of your proof of purchase invoice. Items returned without an R.A. number clearly marked on the outside of the package will be refused and returned at customer's expense. You may obtain an R.A. number by contacting customer support.

## LIMITED WARRANTY (USA ONLY)

- A. ADJ Products, LLC hereby warrants, to the original purchaser, ADJ Products, LLC products to be free of manufacturing defects in material and workmanship for a prescribed period from the date of purchase (see specific warranty periods below). This warranty shall be valid only if the product is purchased within the United States of America, including possessions and territories. It is the owner's responsibility to establish the date and place of purchase by acceptable evidence, at the time service is sought.
- B. For warranty service you must obtain a Return Authorization number (RA#) before sending back the product—please contact ADJ Products, LLC Service Department at 800-322-6337. Send the product only to the ADJ Products, LLC factory. All shipping charges must be pre-paid. If the requested repairs or service (including parts replacement) are within the terms of this warranty, ADJ Products, LLC will pay return shipping charges only to a designated point within the United States. If the entire instrument is sent, it must be shipped in its original package. No accessories should be shipped with the product. If any accessories are shipped with the product, ADJ Products, LLC shall have no liability whatsoever for loss of or damage to any such accessories, or for the safe return thereof.
- C. This warranty is void if the serial number has been altered or removed; if the product is modified in any manner which ADJ Products, LLC concludes, after inspection, affects the reliability of the product; if the product has been repaired or serviced by anyone other than the ADJ Products, LLC factory unless prior written authorization was issued to purchaser by ADJ Products, LLC; if the product is damaged because not properly maintained as set forth in the instruction manual.
- D. This is not a service contract, and this warranty does not include maintenance, cleaning or periodic checkup. During the period specified above, ADJ Products, LLC will replace defective parts at its expense with new or refurbished parts and will absorb all expenses for warranty service and repair labor by reason of defects in material or workmanship. The sole responsibility of ADJ Products, LLC under this warranty shall be limited to the repair of the product, or replacement thereof, including parts, at the sole discretion of ADJ Products, LLC. All products covered by this warranty were manufactured after August 15, 2012, and bear identifying marks to that effect.
- E. ADJ Products, LLC reserves the right to make changes in design and/or improvements upon its products without any obligation to include these changes in any products theretofore manufactured. No warranty, whether expressed or implied, is given or made with respect to any accessory supplied with products described above. Except to the extent prohibited by applicable law, all implied warranties made by ADJ Products, LLC in connection with this product, including warranties of merchantability or fitness, are limited in duration to the warranty period set forth above. And no warranties, whether expressed or implied, including warranties of merchantability or fitness, shall apply to this product after said period has expired. The consumer's and/or Dealer's sole remedy shall be such repair or replacement as is expressly provided above; and under no circumstances shall ADJ Products, LLC be liable for any loss or damage, direct or consequential, arising out of the use of, or inability to use, this product. This warranty is the only written warranty applicable to ADJ Products, LLC Products and supersedes all prior warranties and written descriptions of warranty terms and conditions heretofore published.

### LIMITED WARRANTY PERIODS

- **Non-LED Lighting Products = 1-Year (365 Days)** (Including Special Effect Lighting, Intelligent Lighting, UV lighting, Strobes, Fog Machines, Bubble Machines, Mirror Balls, Par Cans, Trussing, Lighting Stands, Power/Data Distribution, etc. excluding LED and lamps)
- **Laser Products = 1-Year (365 Days)** (excluding laser diodes which have a 6-Month Limited Warranty)
- **LED Products = 2-Year (730 Days)** (excluding batteries which have a 180 Day Limited Warranty)  
**PLEASE NOTE: 2-Year (730 Days) Limited Warranty ONLY applies to product purchased within the USA.**
- **StarTec Series = 1-Year (365 Days)** (excluding batteries which have a 180 Day Limited Warranty)
- **ADJ DMX Controllers = 2 Year (730 Days)**
- **American Audio Products = 1 Year (365 Days)**

# SAFETY GUIDELINES

This fixture is a sophisticated piece of electronic equipment. To guarantee smooth operation, it is important to follow all instructions and guidelines in this manual. ADJ is not responsible for injury and/or damages resulting from the misuse of this fixture due to the disregard of the information printed in this manual. Only qualified and/or certified personnel should perform installation of this fixture and only the original rigging parts (omega brackets) included with this fixture should be used for installation. Any modifications to the fixture and/or the included mounting hardware will void the original manufacturer's warranty and increase the risk of damage and/or personal injury.



**PROTECTION CLASS 1 - FIXTURE MUST BE PROPERLY GROUNDED.**



**THERE ARE NO USER SERVICEABLE PARTS INSIDE THIS UNIT. DO NOT ATTEMPT ANY REPAIRS YOURSELF, AS DOING SO WILL VOID YOUR MANUFACTURER'S WARRANTY. DAMAGES RESULTING FROM MODIFICATIONS TO THIS FIXTURE AND/OR THE DISREGARD OF SAFETY INSTRUCTIONS AND GUIDELINES IN THIS MANUAL VOID THE MANUFACTURER'S WARRANTY AND ARE NOT SUBJECT TO ANY WARRANTY CLAIMS AND/OR REPAIRS.**



**DO NOT PLUG FIXTURE INTO A DIMMER PACK!  
NEVER OPEN THIS FIXTURE WHILE IN USE!  
DISCONNECT FIXTURE FROM POWER BEFORE SERVICING!  
NEVER TOUCH THE FIXTURE DURING OPERATION, AS IT MAY BE HOT!  
KEEP FLAMMABLE MATERIALS AWAY FROM THE FIXTURE!**



**NEVER LOOK DIRECTLY INTO THE LIGHT SOURCE!  
RETINA INJURY RISK - MAY INDUCE BLINDNESS!  
SENSITIVE PERSONS MAY SUFFER AN EPILEPTIC SHOCK!**



**MAXIMUM EXTERNAL SURFACE TEMPERATURE: 185° F (85° C)  
MAXIMUM AMBIENT TEMPERATURE: 104° F (40° C)**

- **DO NOT TOUCH** the fixture housing during operation.
- Turn OFF the power and allow approximately 15 minutes for the fixture to cool down before serving.
- **DO NOT** shake fixture, avoid brute force when installing and/or operating fixture.
- **DO NOT** operate fixture if the power cord is frayed, crimped, damaged and/or if any of the power cord connectors are damaged and do not insert into the fixture securely with ease.
- **NEVER** force a power cord connector into the fixture. If the power cord or any of its connectors are damaged, replace it immediately with a new one of similar power rating.
- **DO NOT** block any air ventilation slots. All fan and air inlets must remain clean and never blocked. Allow approx. 6" (15cm) between fixture and a wall for proper cooling.
- When installing fixture in a suspended environment, always use mounting hardware that is at least M10 x 25 mm, and always install fixture with an appropriately rated safety cable.
- Always disconnect fixture from main power source before performing any type of service and/or cleaning procedure.
- Only handle the power cord by the plug end, and never pull out the plug by tugging the wire portion of the cord.
- During the initial operation of this fixture, a light smoke or smell may emit from the interior of the fixture. This is a normal process and is caused by excess paint in the interior of the casing burning off from the heat associated with the lamp and will decrease gradually over time.
- Consistent operational breaks will ensure fixture will function properly for many years.
- In the event that the fixture needs to be returned for servicing, use only the original packaging and materials to transport the fixture.

# TRANSPORTATION & HANDLING

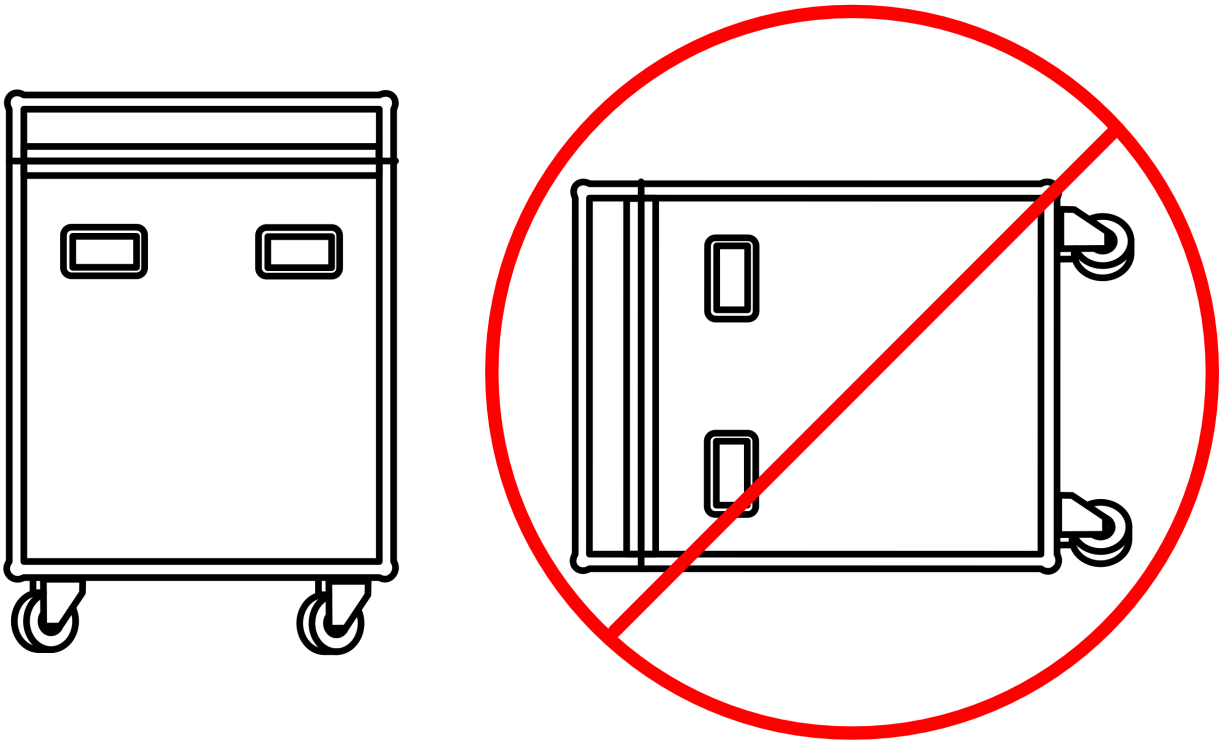
## POTENTIAL INTERNAL DAMAGE FROM 'TIPPING' FIXTURE DURING TRANSPORT AND HANDLING

Note that not all features listed are available on all fixtures; the following instructions may not apply.

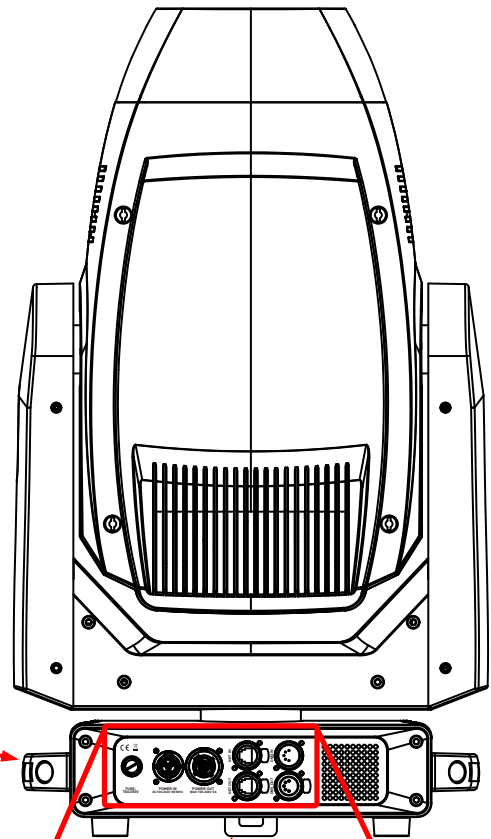
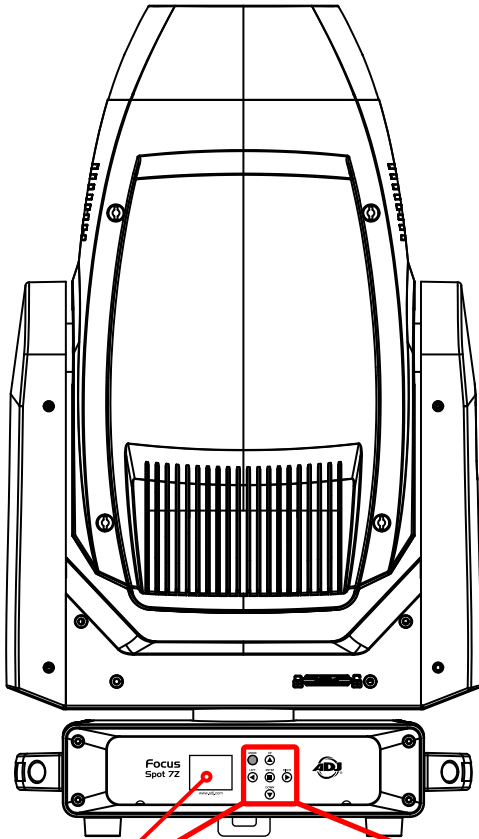
Depending on the model, large format fixtures may contain delicate optics and glass filters. While this product was carefully designed to be roadworthy, it must be handled carefully during transportation. If the fixture contains color flags, before transport, ensure that color flags inside the unit are placed in an OPEN position.

For superior impact protection, some fixtures are shipped in a custom fitted high-density Foam Inlay (FIL). This FIL must be used inside the road-cases for transportation.

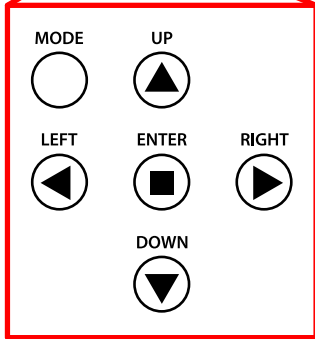
**DO NOT TIP THE CASE OVER, AND AVOID ALL SHOCKS AND ROUGH HANDLING, ESPECIALLY "TIPPING", THE PRACTICE OF TIPPING THE FIXTURE-CASE OVER TO ITS SIDE AND ONTO A HARD SURFACE. THE CASE MUST RIDE ON ITS WHEELS SO THAT THE FIXTURE-HEAD REMAINS HORIZONTAL DURING TRANSPORTATION.**



# OVERVIEW



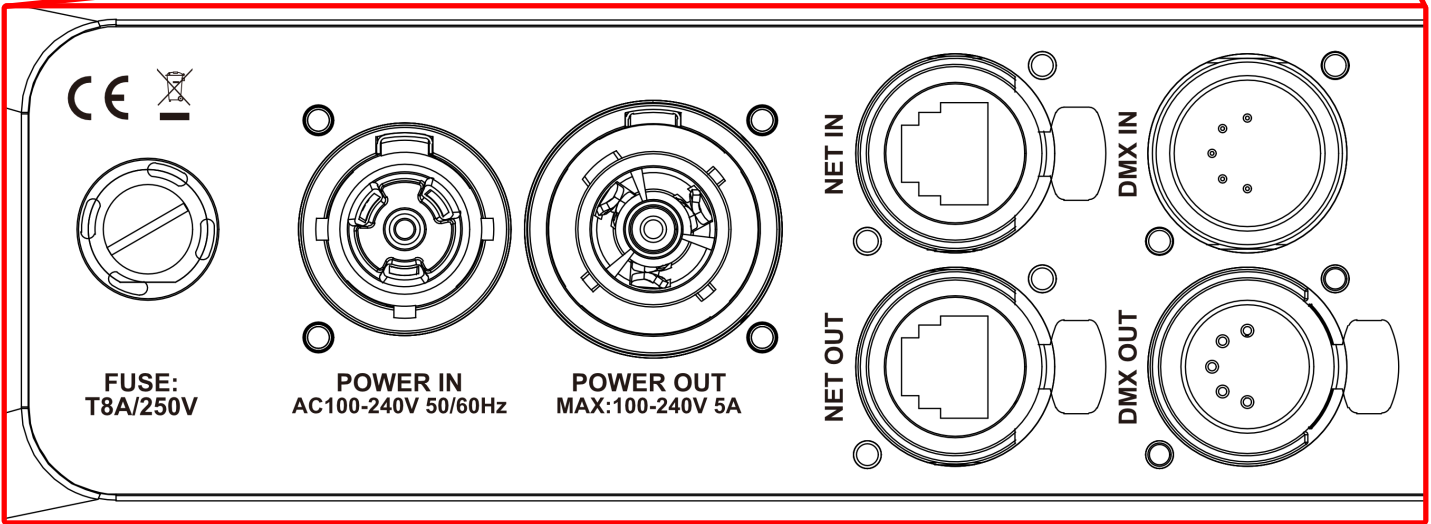
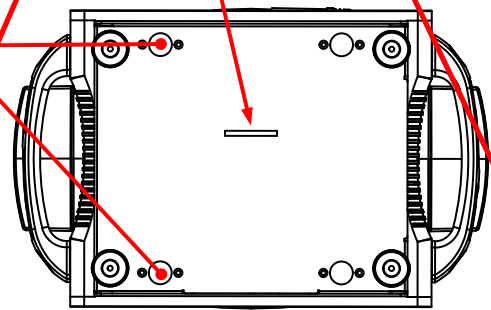
LCD Display



Omega Bracket Mounting Points

Carrying Handle

Safety Cable Anchor Point



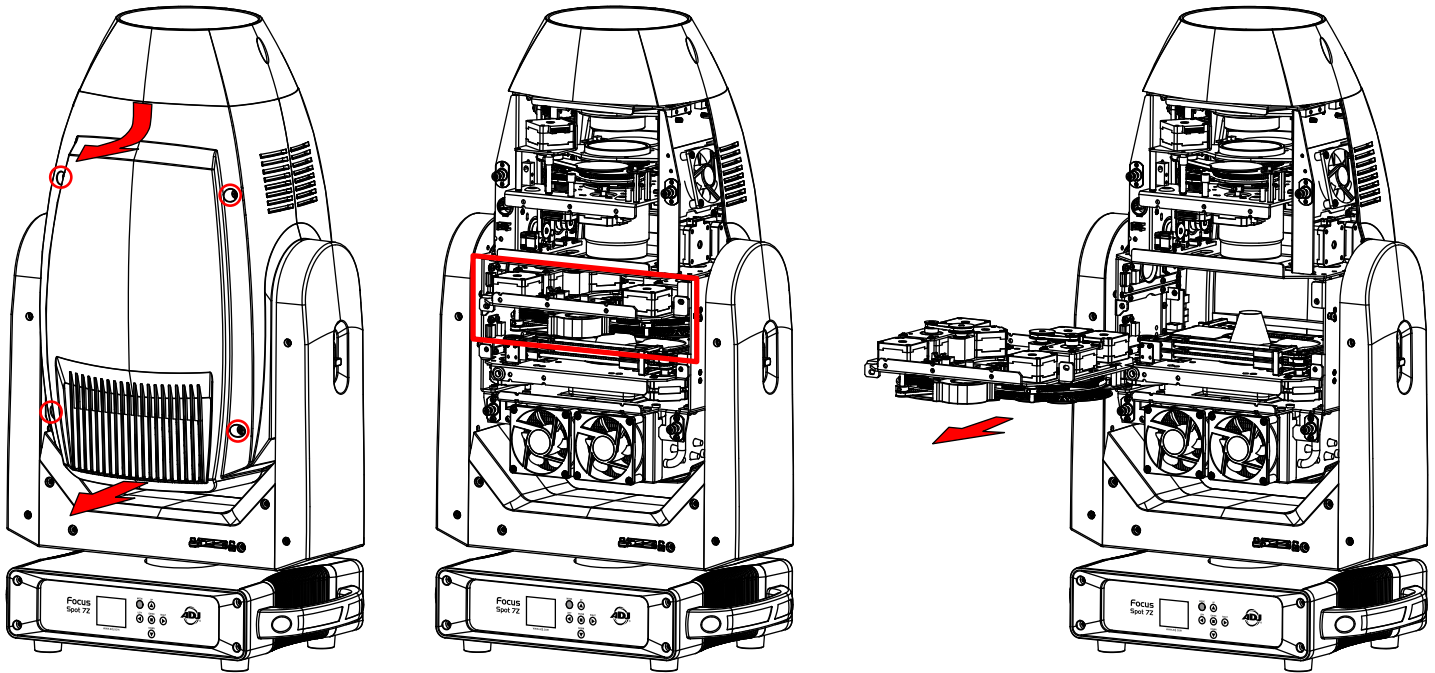


# GOBOS & GOBO REPLACEMENT

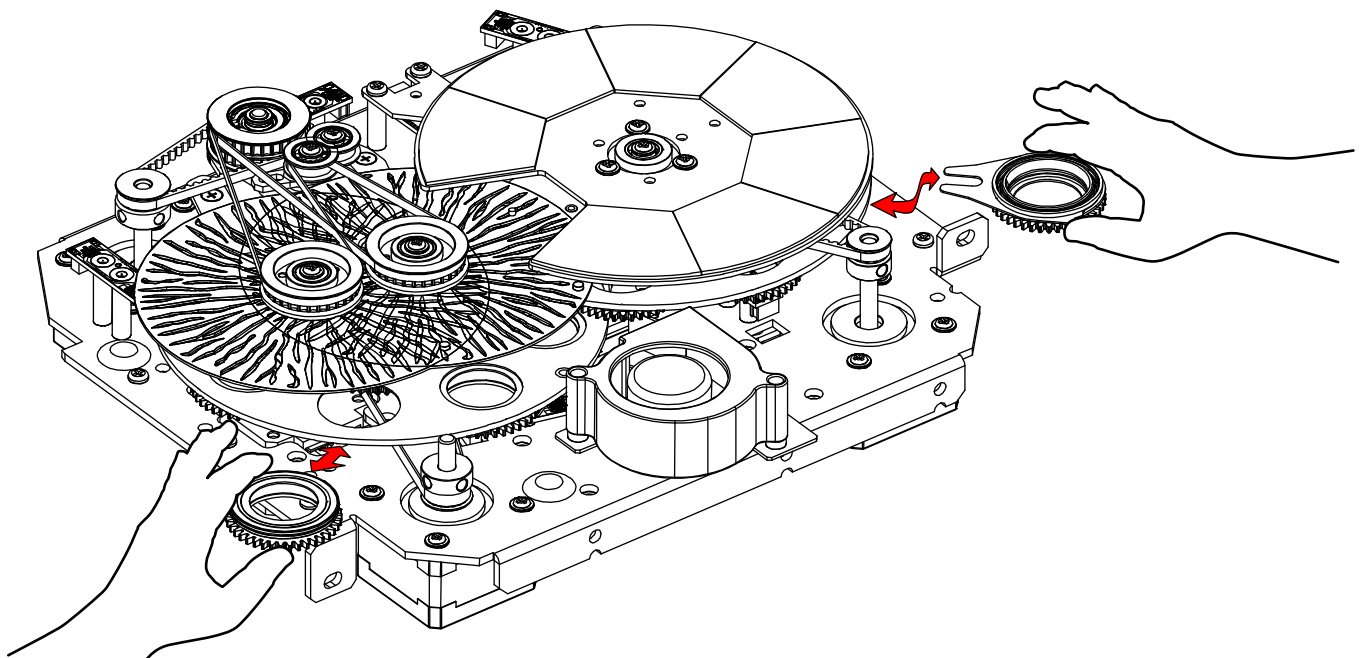
The gobos featured in this unit are interchangeable. Please take care when removing/replacing them, as the metal ones are thin and easy to bend, and the glass gobos are delicate and prone to breakage.

**Caution!** Never open the unit when in use. Always disconnect the main power before attempting to change the gobos.

Place the fixture on a firm flat surface. Locate the screws on the side of the moving head and remove them. With the panel set aside, locate the Pattern Bracket Assembly and remove the (4x) screws that secure it to the internal housing frame.



Locate the specific Rotating Gobo to replace. Carefully grip the Gobo using your thumb and index finger, gently lift it slightly, and then pull it out and away until it fully clears the Gobo Wheel.



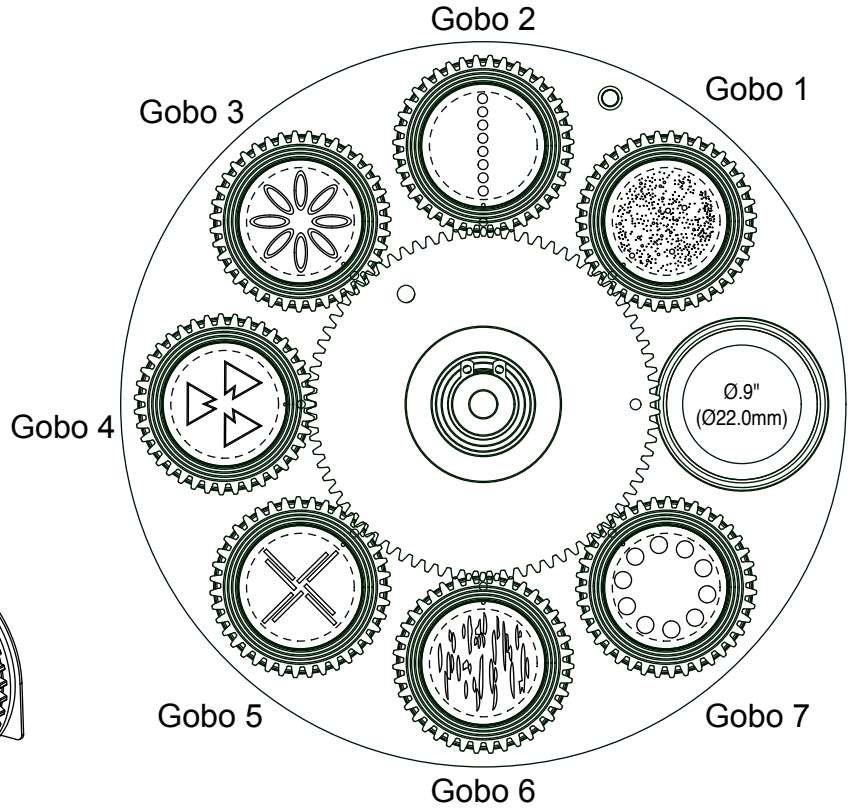
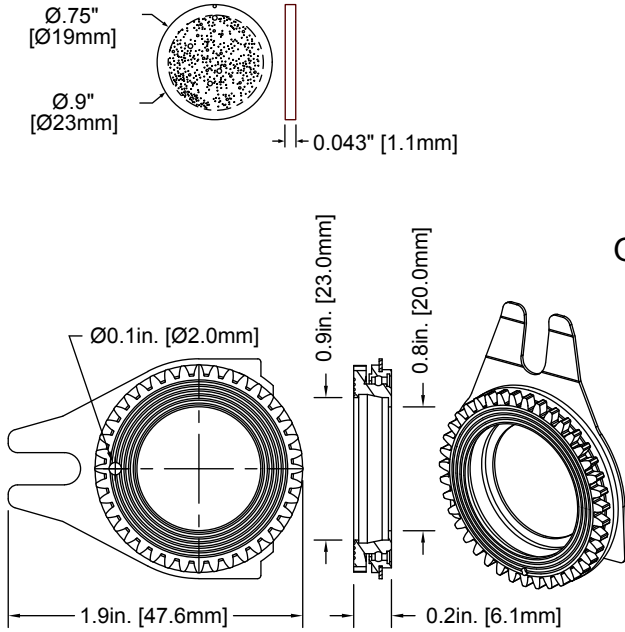
On the Gobo Holders, remove the retaining spring and carefully separate the GOBO from the GOBO Holder. Lastly, remove the flat washer attached to the removed GOBO and attach it to the desired replacement GOBO. Install the replacement Rotating GOBO.

**CAUTION: TAKE CARE NOT TO SCRATCH GOBO OR GOBO HOLDER**

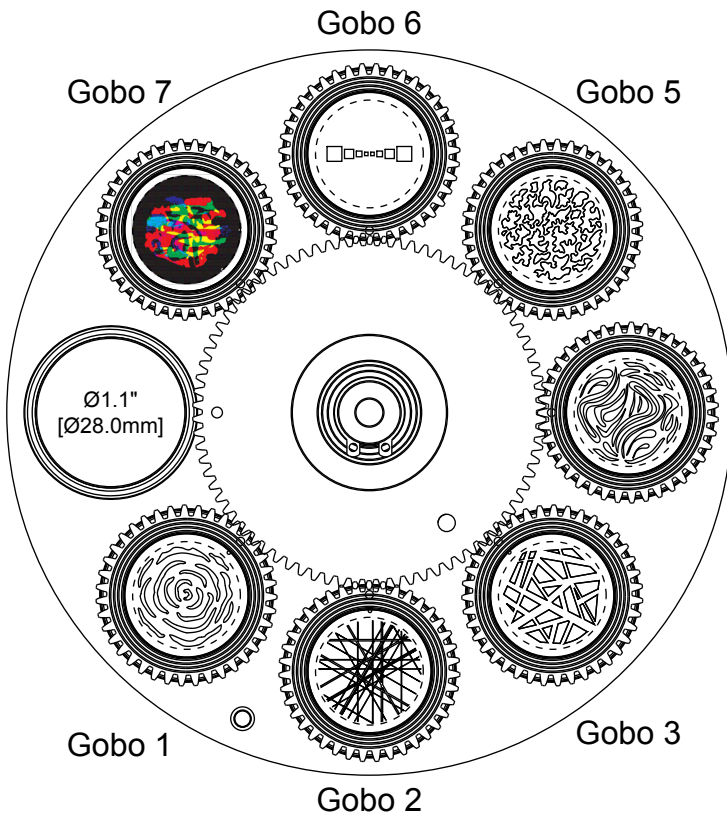
# GOBO WHEELS

## Gobo Wheel 1 - Factory Default Position Assignments

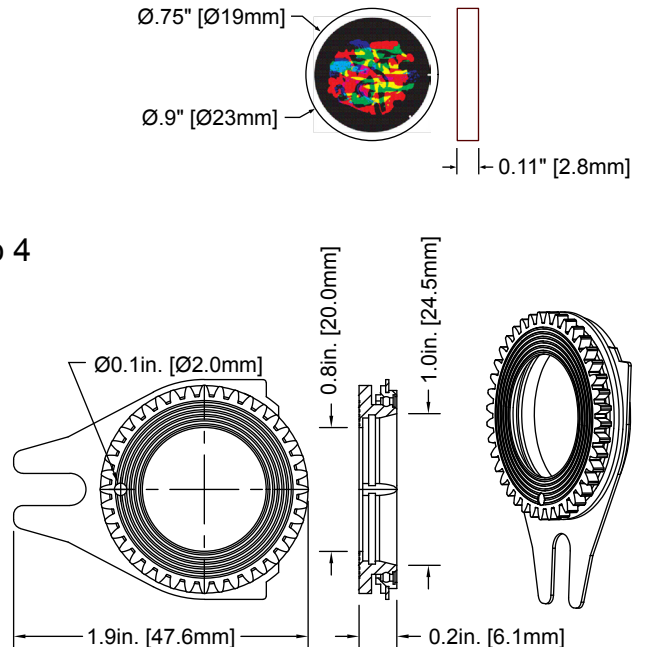
All Gobos on Gobo Wheel 1, and Gobos 1-6 on Gobo Wheel 2 are 1.1mm thick, with  $\varnothing 19\text{mm}$  I.D., and  $\varnothing 23\text{mm}$  O.D., and fits in the Gobo Holder shown below.



## Gobo Wheel 2 - Factory Default Position Assignments

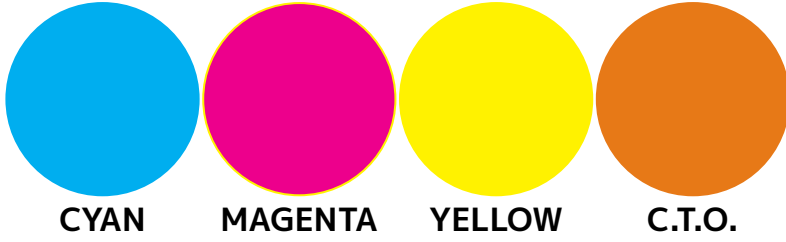


Gobo 7 is 2.8mm thick, with  $\varnothing 19\text{mm}$  I.D., and  $\varnothing 23\text{mm}$  O.D., and fits in the Gobo Holder shown below.

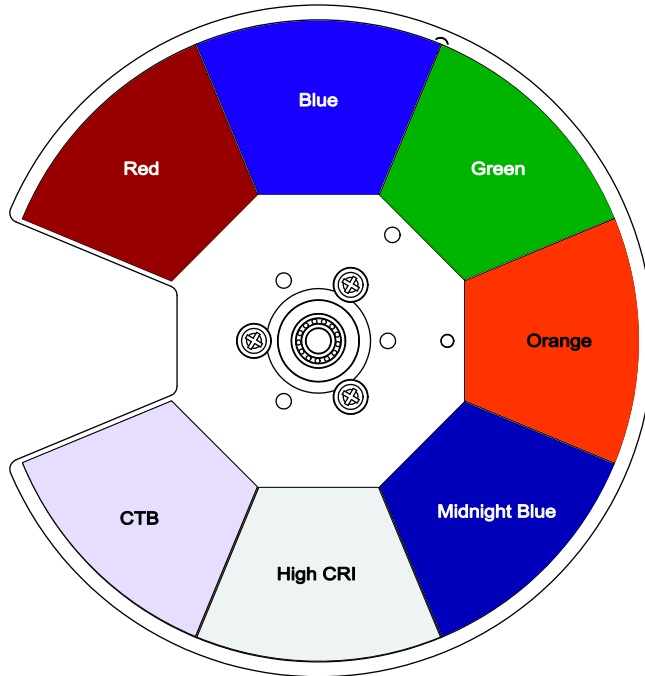


# COLOR FLAGS, COLOR WHEEL, & ANIMATION WHEEL

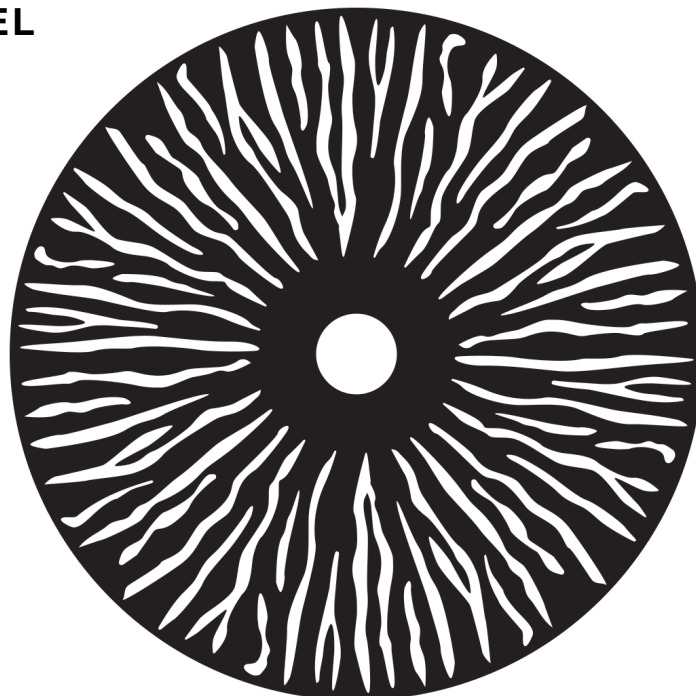
## COLOR FLAGS



## COLOR WHEEL



## ANIMATION WHEEL



# INSTALLATION GUIDELINES



**DO NOT INSTALL THE FIXTURE IF YOU ARE NOT QUALIFIED TO DO SO!**

Fixture **MUST** be installed following all local, national, and country commercial electrical and construction codes and regulations.

Before rigging/mounting a single fixture to any metal truss/structure or placing the fixture(s) on any surface, a professional equipment installer **MUST** be consulted to determine if the metal truss/structure or surface is properly certified to safely hold the combined weight of the fixture(s), clamps, cables, and accessories.

Ambient operating temperature range is **-14°F (-10°C) to 113°F (45°C)**.

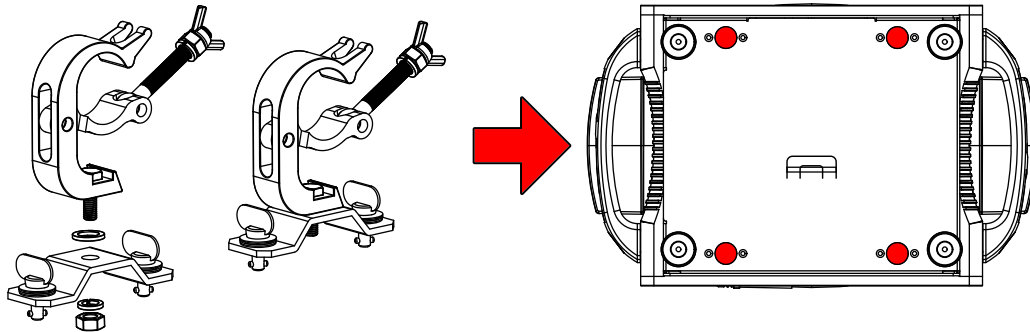
Fixture(s) should be installed in areas outside walking paths, seating areas, or away from areas where unauthorized personnel might reach the fixture by hand.

**NEVER** stand directly below the fixture(s) when rigging, removing or servicing.

Overhead fixture installation must always be secured with a secondary safety attachment, such as an appropriately rated safety cable that can hold 10 times the weight of the fixture. Allow approximately 15 minutes for the fixture to cool down before serving.

# INSTALLATION GUIDELINES

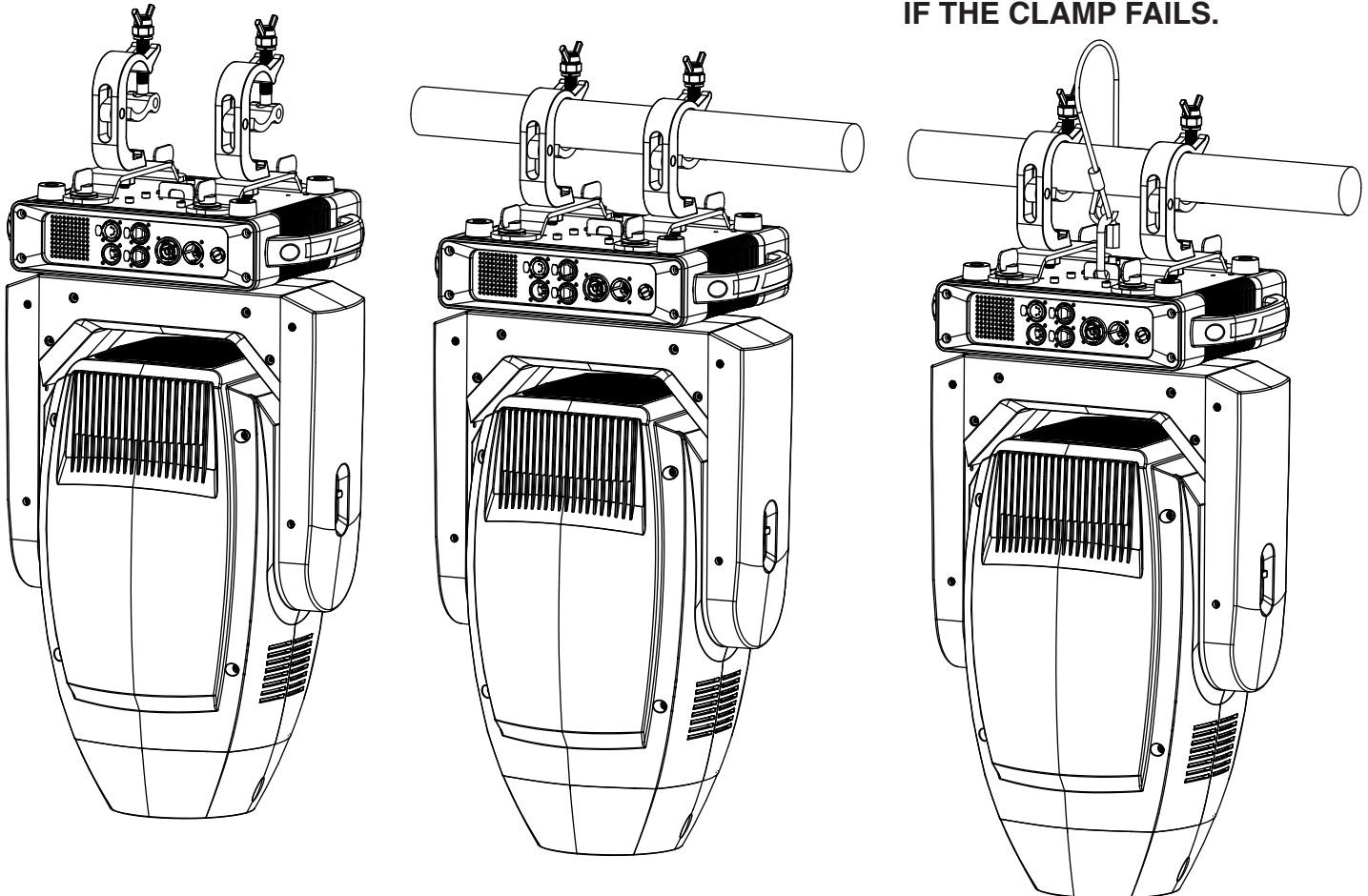
Secure one clamp via a M12 screw and nut into the Omega Bracket. Insert the quick-lock fasteners of the Omega Brackets into the respective holes of the fixture base. **NOTE: The clamp must be attached to the Omega Bracket before attaching the bracket to the fixture.**



Tighten the quick-lock fasteners fully clockwise. Pull the safety-cable through the opening located on the bottom of the unit and over the trussing system or a safe fixation spot. Insert the end in the carabiner, and tighten the safety screw.

## \*SAFETY CABLE

**ALWAYS ATTACH A SAFETY CABLE WHENEVER INSTALLING THIS FIXTURE IN A SUSPENDED ENVIRONMENT TO ENSURE THE FIXTURE WILL NOT DROP IF THE CLAMP FAILS.**

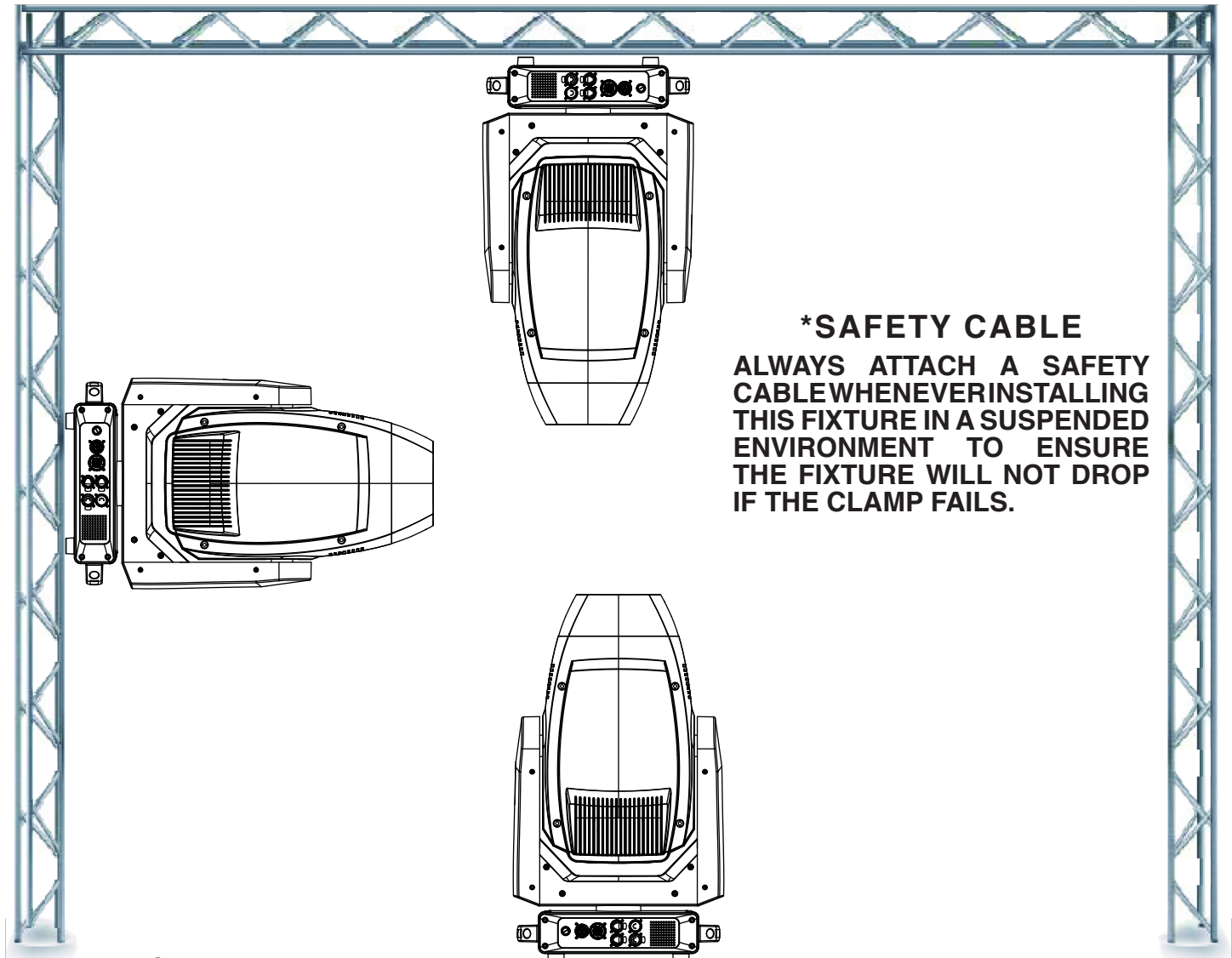


# INSTALLATION GUIDELINES

When installing the unit, the trussing or area of installation must be able to hold 10 times the weight without any deformation. When installing the unit must be secured with a secondary safety attachment, e.g. and appropriate safety cable. Never stand directly below the unit when mounting, removing, or servicing the unit.

Overhead mounting requires extensive experience, including calculating working load limits, installation material being used, and periodic safety inspection of all installation material and unit. If you lack these qualifications, do not attempt the installation yourself.

These installations should be checked by a skilled person once a year.



The Focus Spot 7Z is fully operational in three different mounting positions, hanging upside-down, mounted sideways on trussing, or set on a flat level surface. Always use and install a safety cable as a safety measure to prevent accidental damage and/or injury in the event the clamp fails. Never use the carrying handles for secondary attachment.

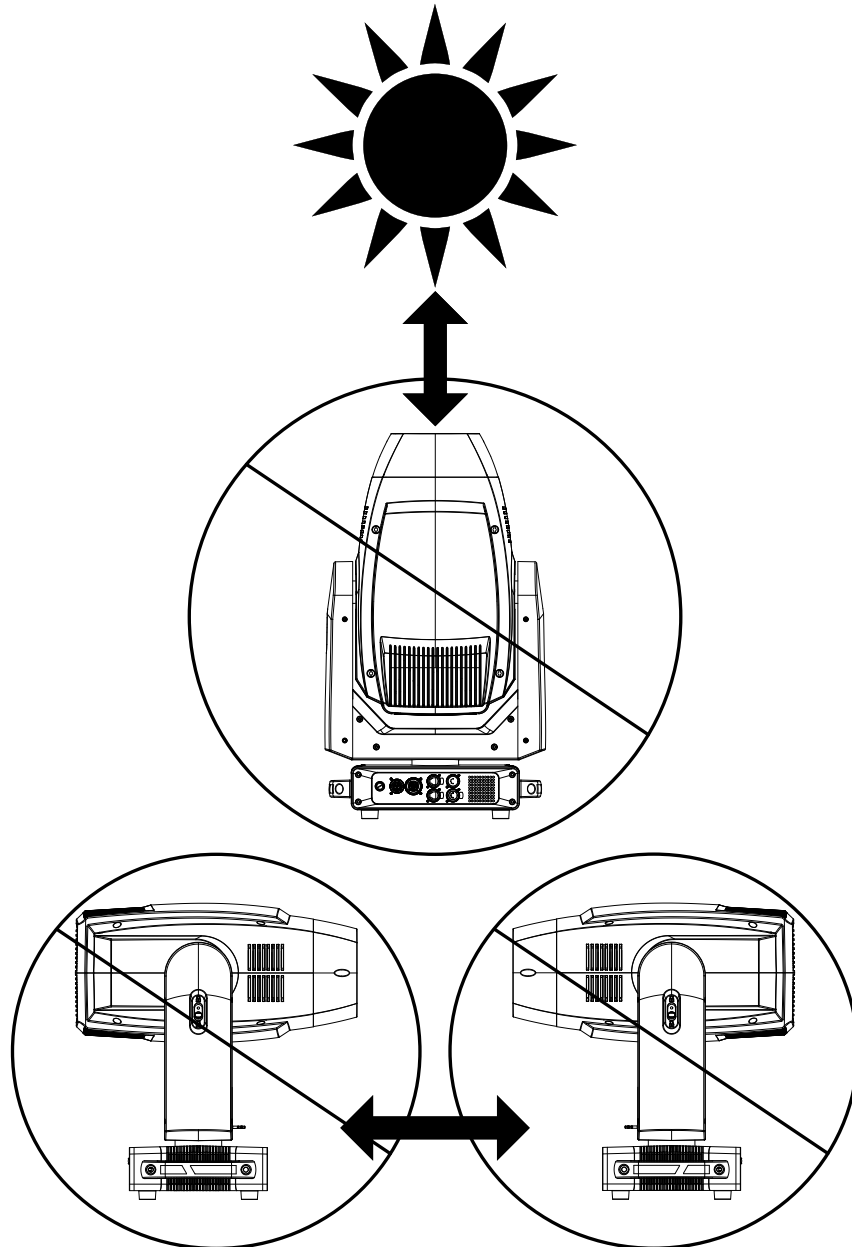
# INSTALLATION GUIDELINES

## POTENTIAL INTERNAL FIXTURE DAMAGE FROM EXTERNAL SOURCES OF LIGHT BEAMS

External sources of light beams from direct sunlight, lighting moving head fixtures, and lasers, which are focused directly towards the exterior housing and/or penetrate the front lens opening of ADJ lighting fixtures, can cause severe internal damage including burning to optics, dichroic color filters, glass and metal gobos, prisms, animation wheels, frost filters, iris, shutters, motors, belts, wiring, discharge lamps, and LEDs.

This issue is not specific only to ADJ lighting fixtures, it is a common issue with lighting fixtures from all manufacturers. Although there is no true way to fully prevent this issue from happening, the guidelines below can prevent any potential damage from occurring if followed. Contact ADJ Service for more details.

**DO NOT EXPOSE THE FIXTURE AND/OR FRONT LENS OPENING TO LIGHT BEAMS FROM DIRECT SUNLIGHT, OTHER LIGHTING MOVING HEAD FIXTURES, AND LASERS WHILE UNPACKING, INSTALLATION, USE, AND EXTENDED IDLE TIMES OUTDOORS.**  
**DO NOT FOCUS A LIGHT BEAM FROM ONE LIGHTING FIXTURE DIRECTLY TOWARDS ANOTHER.**



# DMX SETUP

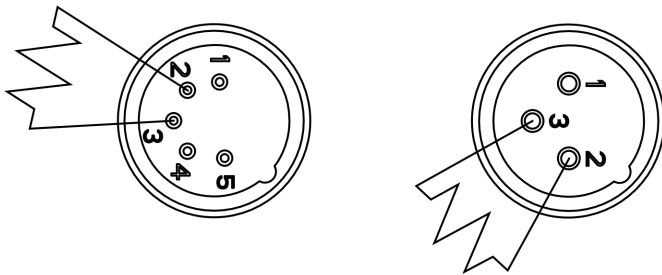
**DMX-512:** DMX is short for Digital Multiplex. This is a universal protocol used as a form of communication between intelligent fixtures and controllers. A DMX controller sends DMX data instructions from the controller to the fixture. DMX data is sent as serial data that travels from fixture to fixture via the DATA “IN” and DATA “OUT” XLR terminals located on all DMX fixtures (most controllers only have a DATA “OUT” terminal).

**DMX Linking:** DMX is a language allowing all makes and models of different manufactures to be linked together and operate from a single controller, as long as all fixtures and the controller are DMX compliant. To ensure proper DMX data transmission, when using several DMX fixtures try to use the shortest cable path possible. The order in which fixtures are connected in a DMX line does not influence the DMX addressing. For example; a fixture assigned a DMX address of 1 may be placed anywhere in a DMX line, at the beginning, at the end, or anywhere in the middle. When a fixture is assigned a DMX address of 1, the DMX controller knows to send DATA assigned to address 1 to that unit, no matter where it is located in the DMX chain.

**Data Cable (DMX Cable) Requirements (For DMX Operation):** The Focus Spot 7Z can be controlled via DMX-512 protocol. The DMX address is set on the front panel of the Focus Spot 7Z. Your unit and your DMX controller require a 5-pin XLR connector for data input and data output. We recommend Accu-Cable DMX cables. If you are making your own cables, be sure to use standard 110-120 Ohm shielded cable (This cable may be purchased at almost all pro lighting stores).Your cables should be made with a male and female XLR connector on either end of the cable. Also remember that DMX cable must be daisy chained and cannot be split.

## SPECIAL NOTE: LINE TERMINATION

When longer runs of cable are used, you may need to use a terminator on the last unit to avoid erratic behavior. A terminator is a 110-120 ohm 1/4 watt resistor, which is connected between pins 2 and 3 of a male XLR connector (DATA + and DATA -). This unit is inserted in the female XLR connector of the last unit in your daisy chain to terminate the line. Using a cable terminator (ADJ part number Z-DMX/T) will decrease the possibilities of erratic behavior.



A DMX512 terminator reduces signal errors, avoiding most signal reflection interference. Connect PIN 2 (DMX-) and PIN 3 (DMX+) of the last fixture in series with a 120 Ohm, 1/4 W Resistor to terminate the DMX512.



## DMX SETUP

**5-Pin XLR DMX Connectors.** The Focus Spot 7Z uses 5-pin DMX-512 data cables for DATA transmission in place of a 3-pin. 5-pin DMX fixtures may be implemented in a 3-pin DMX line. When inserting standard 5-pin data cables in to a 3-pin line a cable adapter must be used, these adapters are readily available at most electric stores. The chart below details a proper cable conversion.

| 3-Pin XLR to 5-Pin XLR Conversion |                        |                     |
|-----------------------------------|------------------------|---------------------|
| Conductor                         | 3-Pin XLR Female (Out) | 5-Pin XLR Male (In) |
| Ground/Shield                     | Pin 1                  | Pin 1               |
| Data Compliment (- signal)        | Pin 2                  | Pin 2               |
| Data True (+ signal)              | Pin 3                  | Pin 3               |
| Not Used                          |                        | Do Not Use          |
| Not Used                          |                        | Do Not Use          |

## DMX ADDRESSING

All fixtures should be given a DMX starting address when using a DMX controller, so the correct fixture responds to the correct control signal. This digital starting address is the channel number from which the fixture starts to “listen” to the digital control signal sent out from the DMX controller. The assignment of this starting DMX address is achieved by setting the correct DMX address on the digital control display on the fixture.

You can set the same starting address for all fixtures or a group of fixtures, or set different addresses for each individual fixture. Setting all fixtures to the same DMX address will cause all fixtures to react in the same way, in other words, changing the settings of one channel will affect all the fixtures simultaneously.

If you set each fixture to a different DMX address, each unit will start to “listen” to the channel number you have set, based on the quantity of DMX channels of each fixture. That means changing the settings of one channel will only affect the selected fixture.

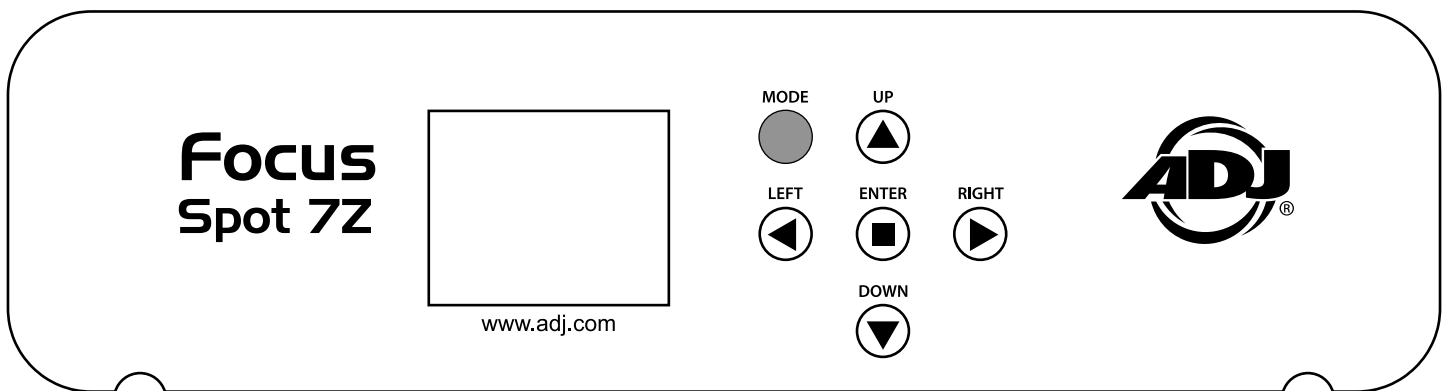
In the case of the Focus Spot 7Z, when in 30 channel mode you should set the starting DMX address of the first unit to 1, the second unit to 31 (30 + 1), the third unit to 61 (31 + 30), and so on. (See the chart below for more details.)

| Channel Mode       | Unit 1 Address | Unit 2 Address | Unit 3 Address | Unit 4 Address |
|--------------------|----------------|----------------|----------------|----------------|
| <b>30 Channels</b> | 1              | 31             | 61             | 91             |
| <b>34 Channels</b> | 1              | 35             | 69             | 103            |
| <b>45 Channels</b> | 1              | 46             | 91             | 136            |

## SYSTEM MENU

The fixture includes an easy to navigate system menu control panel display where all necessary settings and adjustments are made. During normal operation, pressing the **MODE** button once will access the fixture's main menu. Once in the main menu, you can navigate through the different functions with the **UP** and **DOWN** buttons. When you reach a field that requires adjusting, press the **ENTER** button to access that field and use the **LEFT** and **RIGHT** buttons to adjust the field. Pressing the **ENTER** button once more will confirm your setting. You may exit the main menu at any time without making any adjustments by pressing the **MODE** button.

**To access the LCD Menu Control Display via the internal battery, press and hold the BATTERY ICON button for 3 seconds. The LCD Menu Control Display will shut OFF automatically about 1 minute from the last button press.**



### LCD CONTROL PANEL LOCKOUT

When the Key Lock function is activated, the control panel will automatically lock after the time set under the Display submenu "Screen Saver Delay".

When the Key Lock function is set to ON, the control panel will lock. Press and hold the MODE button for 3 seconds to unlock.

When the Key Lock function is set to ON1, the control panel will lock, and will not unlock without a code. To unlock the display follow these steps:

1. Press the UP button, and the display will change to: 

|   |  |  |  |
|---|--|--|--|
| * |  |  |  |
|---|--|--|--|

 (one \* appears).
2. Press the DOWN button, and the display will change to: 

|   |   |  |  |
|---|---|--|--|
| * | * |  |  |
|---|---|--|--|

 (two \* appear).
3. Press the UP button, and the display will change to: 

|   |   |   |  |
|---|---|---|--|
| * | * | * |  |
|---|---|---|--|

 (three \* appear).
4. Press the DOWN button, and the display will change to: 

|   |   |   |   |
|---|---|---|---|
| * | * | * | * |
|---|---|---|---|

 (four \* appear).
5. Press the ENTER button, and the display will be unlocked.

If the button sequence was entered correctly, the display and control panel will unlock. If the button sequence was entered incorrectly, the display will return to the DMX address display.

# SYSTEM MENU

| MAIN MENU                | SUB MENU          | OPTIONS / VALUES (Default Settings in <b>BOLD</b> )                            |                             | DESCRIPTION         |                                |
|--------------------------|-------------------|--|-----------------------------|---------------------|--------------------------------|
| <b>DMX SETTING</b>       | DMX Address       | <b>001</b> -XXX  |                             |                     |                                |
|                          | DMX Channel Mode  | Basic 30 / <b>Standard 34</b> / Extended 45                                    |                             |                     |                                |
|                          | No DMX Status     | <b>Hold Last</b> / Blackout / Manual / Internal Programs                       |                             |                     |                                |
| <b>Ethernet Settings</b> | Protocol          | <b>Artnet</b> , sACN, Disable  |                             |                     |                                |
|                          | IP Address        | <b>2.1.1.1</b>   |                             |                     |                                |
|                          | Net Mask          | <b>255.0.0.0</b>   |                             |                     |                                |
|                          | Net Switch        | <b>ON/OFF</b>  |                             |                     |                                |
|                          | Artnet Universe   | <b>0</b> -32, 767  |                             |                     |                                |
|                          | sACN Settings     | sACN Universe  | <b>00001</b> -32000         |                     |                                |
|                          | sACN Priority     | 0-255  |                             |                     |                                |
| <b>Personality</b>       | Prim/Sec Mode     | Primary / <b>Secondary</b>   |                             |                     |                                |
|                          | Select Signal     | DMX or Aria<br>Aria and DMX Out  |                             |                     |                                |
|                          | Aria Settings     | Aria Enable  | <b>ON/OFF</b>               |                     |                                |
|                          |                   | Set Aria Channel   | 00~14<br><b>2.4GHz</b>      |                     |                                |
|                          |                   | Mesh   | <b>ON/OFF</b>               |                     |                                |
|                          |                   | RDM  | <b>ON/OFF</b>               |                     |                                |
|                          |                   | Bluetooth  | <b>ON/OFF</b>               |                     |                                |
|                          | Status Settings   | Pan Degree   | 540/ <b>630</b>             |                     |                                |
|                          |                   | Pan Invert   | <b>ON/OFF</b>               |                     |                                |
|                          |                   | Tilt Invert  | <b>ON/OFF</b>               |                     |                                |
|                          |                   | P./T. Feedback   | <b>ON/OFF</b>               |                     |                                |
|                          |                   | P./T. Speed  | <b>Speed 1</b>              |                     |                                |
|                          |                   |  | Speed 2                     |                     |                                |
|                          | Speed 3           |  |                             |                     |                                |
|                          | Hibernation       | OFF, 01M~99M, <b>15M</b>   |                             |                     |                                |
|                          | Zoom Speed        | <b>Standard</b> , Fast   |                             |                     |                                |
|                          | Dim Modes         | <b>Standard</b> , Stage, TV, Architectural, Theatre, Stage 2                   |                             |                     |                                |
|                          |                   | Dim Speed  | 0.1S~10S                    |                     |                                |
|                          | LED Refresh Rates | 900~1500 ( <b>1200Hz</b> ), 2500, 4000, 5000, 6000, 10KHz, 15KHz, 20KHz, 25KHz |                             |                     |                                |
|                          | Dim Curve         | <b>Square</b> , Linear, Inv.Squa, S.Curve                                      |                             |                     |                                |
|                          | Reset Motors      | Reset All Motors   | YES/ <b>NO</b>              |                     |                                |
|                          |                   | Pan/Tilt Reset   | YES/ <b>NO</b>              |                     |                                |
|                          |                   | ...  | ...                         |                     |                                |
|                          |                   | Effect Reset   | YES/ <b>NO</b>              |                     |                                |
|                          | Display           | Intensity  | <b>1-10</b>                 |                     | Intensity - Display Brightness |
|                          |                   | Display Invert   | YES/ <b>NO</b>              |                     | Invert - Flip Display          |
|                          |                   | Screen Saver Delay   | <b>OFF/ON/ON1</b>           |                     |                                |
| Service                  | Passcode          | Effect Adjust (Calibration) <b>050</b>   | Pan 000-255                 | Pan Calibration     |                                |
|                          |                   |  | Tilt 000-255                | Tilt Calibration    |                                |
|                          |                   |  | Cyan 000-255                | Cyan Calibration    |                                |
|                          |                   |  | Magenta 000-255             | Magenta Calibration |                                |
|                          |                   |  | Yellow 000-255              | Yellow Calibration  |                                |
|                          |                   |  | CTO 000-255                 | CTO Calibration     |                                |
|                          |                   |  | ...                         | ...                 |                                |
|                          | Factory Restore   | NO/YES Passcode <b>011</b>   | Restore to factory settings |                     |                                |

# SYSTEM MENU

| MAIN MENU                | SUB MENU          | OPTIONS / VALUES (Default Settings in <b>BOLD</b> ) |                        | DESCRIPTION                |  |
|--------------------------|-------------------|---|------------------------|----------------------------|--|
| <b>MANUAL CONTROL</b>    | Pan               | 000~255   |                        | Manual Control Settings    |  |
|                          | Pan Fine          | 000~255   |                        |                            |  |
|                          | Tilt              | 000~255   |                        |                            |  |
|                          | Tilt Fine         | 000~255   |                        |                            |  |
|                          | ...               | 000~255   |                        |                            |  |
| <b>INTERNAL PROGRAMS</b> | Program 1         | Speed: 000~255 Fade: 000~255                        |                        | Program 1 with Adjustments |  |
|                          | Program 2         | Speed: 000~255 Fade: 000~255                        |                        | Program 2 with Adjustments |  |
|                          | Program 3         | Speed: 000~255 Fade: 000~255                        |                        | Program 3 with Adjustments |  |
|                          | Program 4         | Speed: 000~255 Fade: 000~255                        |                        | Program 4 with Adjustments |  |
|                          | Program 5         | Speed: 000~255 Fade: 000~255                        |                        | Program 5 with Adjustments |  |
|                          | Program 6         | Speed: 000~255 Fade: 000~255                        |                        | Program 6 with Adjustments |  |
|                          | Program 7         | Speed: 000~255 Fade: 000~255                        |                        | Program 7 with Adjustments |  |
| <b>Information</b>       | Fixture Life Time | Power On Time                                       | xxxxxx Hours           |                            |  |
|                          |                   | P-On Time-R   | xxxxxx Hours           |                            |  |
|                          |                   | P-On Time-Reset                                     |                        |                            |  |
|                          | Total LED Time    | LED On Time   | xxxxxx Hours           |                            |  |
|                          |                   | LED On Time-R                                       | xxxxxx Hours           |                            |  |
|                          |                   | LED Hourse Reset                                    |                        |                            |  |
|                          | Fixture Temps     | LEDs  | Current                | T:<br>xxx F / xxx C        |  |
|                          |                   |   | Max Resettable         | T:<br>xxx F / xxx C        |  |
|                          |                   | Base Temp   | Current                | T:<br>xxx F / xxx C        |  |
|                          |                   |   | Max Resettable         | T:<br>xxx F / xxx C        |  |
|                          |                   | Reset LED Temp                                      | YES/NO<br>50           | Passcode<br><b>050</b>     |  |
|                          |                   | Reset Base Temp                                     | YES/NO<br>50           | Passcode<br><b>050</b>     |  |
|                          | Fan Info.(RPM)    | LED Fan   | xxxxRPM LED            |                            |  |
|                          |                   | BaseFan   | xxxxRPM                |                            |  |
|                          | DMX Values        | Pan   |                        |                            |  |
|                          |                   | Pan Fine  |                        |                            |  |
|                          |                   | ...   |                        |                            |  |
|                          | Error Logs        | Xxxxx<br>xxxxx                                      | List Errors one by one |                            |  |
|                          |                   | Reset Error Log                                     | YES/NO<br>50           | Passcode<br><b>050</b>     |  |
|                          | Software Version  | 1U:XXX<br>2U:XXX<br>3U:XXX                          |                        |                            |  |

# SYSTEM MENU

**DMX SETTINGS** - The submenus listed under **DMX SETTINGS** are as follows: **DMX Address, DMX Channel Mode, and No DMX Status.**

- **DMX ADDRESS** - In this submenu you can find and set your desired DMX address.
- **DMX CHANNEL MODE** - In this submenu you can find and set your desired DMX channel mode.
- **NO DMX STATUS** - This submenu setting is used as a precaution mode in case the DMX signal or power is lost or interrupted. The operating mode chosen in this submenu is the running mode the fixture will go into when the DMX signal is lost. Listed below are the 3 modes.
  - **Hold Last** - This setting will have the fixture stay in the last DMX setup.
  - **Blackout** - This setting will have the fixture automatically go into stand by/blackout mode.
  - **Manual** - This setting will go into the current manual control setup. See **MANUAL CONTROL.**
  - **Internal Programs** - This setting will go into the current Internal Program setup.

**PERSONALITY** - The submenus listed under **PERSONALITY** are as follows: **Prim/Sec Mode, Select Signal, Aria Settings, Status Settings, Fan Settings, Zoom Speed, Dim Modes, LED Refresh Rate, Dim Curve, Reset Motors, Display, and Service.**

**PRIM/SEC MODE** - In this submenu you are able to designate the units as either “Primary” or “Secondary” unit in a primary-secondary set up.

- **STATUS SETTINGS** - In this submenu you are able to access and adjust/change: Pan Degree, Pan Invert, Tilt Invert, P./T. Feedback, P./T. Speed, and Hibernation.
- **FAN SETTINGS** - In this submenu you are able to select your desired fan speed setting.
- **ZOOM SPEED** - In this submenu you can select between Standard or Fast.
- **DIM MODES** - In this submenu you are able to select your desired dimmer mode and adjust the dimming speed time. See the dimmer mode chart on page 26 for more information.
- **LED REFRESH RATE** - In this submenu you are able to select your desired LED refresh rate.
- **DIM CURVE** - In this submenu you are able to select your desired dimmer curve. See the dimmer curve chart on page 26 for more information.
- **RESET MOTORS** - In this submenu you are able to reset selected motors.
- **DISPLAY** - In this submenu you you are able to adjust the display intensity, invert the display, set the display lock time, and activate/deactivate the display lock.
- **SERVICE** - In this submenu you are able to access and adjust/change: calibration (effect adjust), activate/deactivate the USB port power, update the software, and restore the factory settings.

**MANUAL CONTROL** - This menu is for manual testing and manual control.

**INTERNAL PROGRAMS** - In this menu you are able to select 1 of 7 internal programs to run. Program running speed and fade speed are adjustable.

# SYSTEM MENU

**INFORMATION** - The submenus listed under **INFORMATION** are as follows: **Fixture Life Time**, **Total LED Time**, **Fixture Temps**, **Fan Info. (RPM)**, **DMX Values**, **Error Logs**, and **Software Version**.

## FIXTURE LIFE TIME

- **Power On Time** -The **TOTAL** power ON running time of the unit is displayed. This time **CANNOT** be reset.
- **P-On Time-R** - The **CURRENT** power ON running time of the unit is displayed. This running time may not be the same as the **TOTAL** power ON running time displayed under “**Power On Time**”. This time **CAN** be reset. **NOTE: The displayed time represents the current power ON time since the last reset.**
- **P-On Time-Reset** - With this function you can reset the **CURRENT** power ON running time that is displayed under “**P-On Time-R**”.

## TOTAL LED TIME

- **LED On Time** - The **TOTAL** LED ON time is displayed. This total LED ON time **CANNOT** be reset.
- **LED On Time-R** - The **CURRENT** LED ON running time is displayed. This running time may not be the same as the **TOTAL** LED ON time displayed under “**LED On Time**”. This current LED ON time **CAN** be reset. **NOTE: The displayed time represents the current LED ON time since the last reset.**
- **LED Hours Reset** - With this function you can reset the **CURRENT** LED ON time that is displayed under “**LED On Time-R**”.

## FIXTURE TEMPS

- **LED's:**
  - **Current** - The current LED temperature will be displayed.
  - **Max Resettable** - The current highest temperature the LED has reached will be displayed. This LED temperature may not be the same as the temperature displayed under“**CURRENT**” or “**MAX NOT RESETTABLE**”. This LED temperature **CAN** be reset. **NOTE: The displayed temperature represents the highest temperature the LED has reached since the last reset.**
- **RESET LED TEMP** - With this function you can reset the “**MAX RESETTABLE**” LED temperature. **NOTE: When the temperature is reset, the temperature will revert to the CURRENT LED temperature.**
- **RESET BASE TEMP** - With this function you can reset the **MAX RESETTABLE**” Base Temperature.
- **FAN INFO. (RPM)** - In this submenu the current fan speed's will be displayed.
- **DMX VALUES** - Displays the DMX values of any DMX channel that is currently in use. **NOTE: DMX value options depend on the current DMX channel mode setting.**
- **ERROR LOGS** - In this submenu you are able to check any unit errors as well a clear the error log.
- **SOFTWARE VERSION** - Current software version is displayed.

# FAN CONTROL & NOISE OPERATION

The ADJ Focus Spot 7Z is a high-performance fixture suited for multiple applications. For noise critical environments such as Theater, Opera, or Orchestral Halls, it offers various fan operation modes which remove unwanted noise distractions for the audience and performers. Fan Modes can be changed remotely via the DMX control channel, allowing the fixture to offer high output or whisper-silent operation at a moment's notice. All Fan Modes smoothly transition over a brief period, preventing unwanted attraction to the fixture.

| Mode                         | dbA at 1m LED off | dbA at 1m Dimmer 100% |
|------------------------------|-------------------|-----------------------|
| Fan Control - Auto (Default) | 39                | 47                    |
| Fan Control - High           | 40                | 55                    |
| Fan Control - Low            | 37                | 42                    |

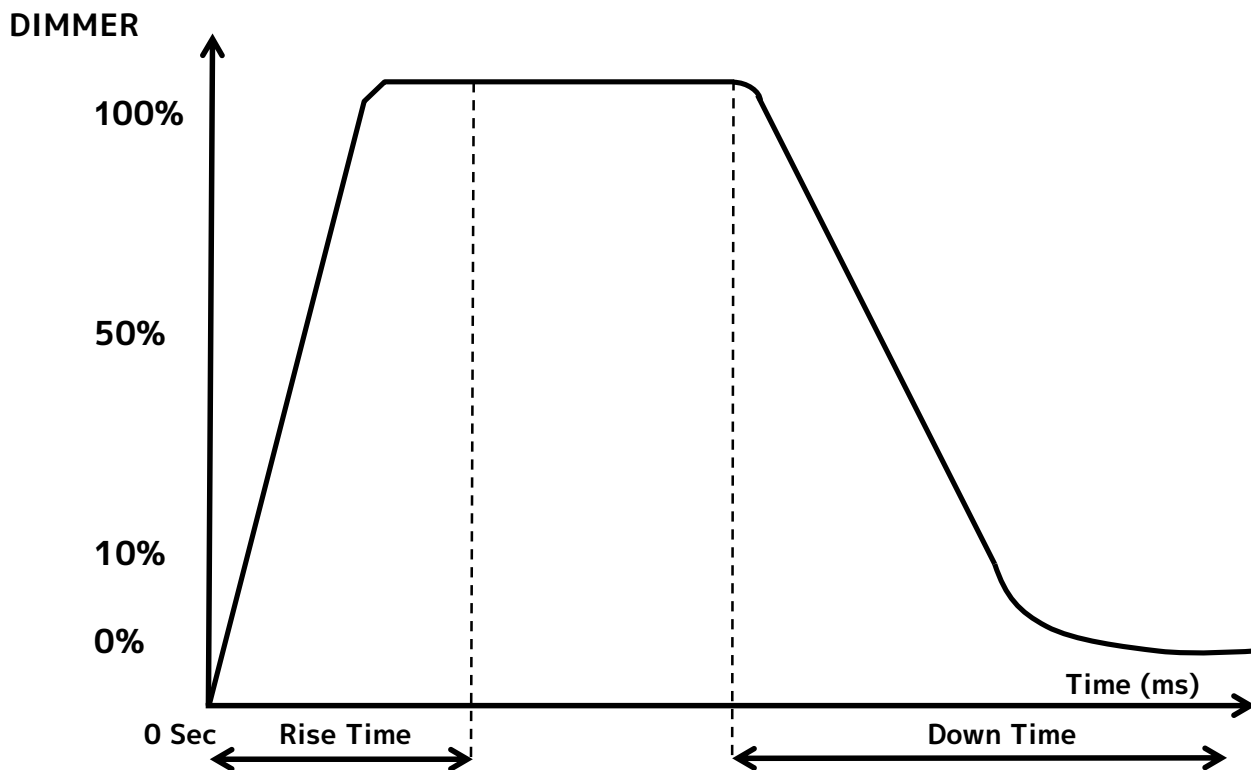
**Auto** – The default AUTO mode ensures optimal performance of the fixture. Fans only run at the speeds needed to keep the LED engine within a safe temperature range. They will turn off if possible, for example, when the fixture is dimmed to a low intensity. Fans sense the ambient and fixture temperature, and will, always, try to keep noise levels at a minimum. The fixture output will only reduce when the LED engine cannot be cooled down to its safe operating range due to high ambient temperature. **Note: Auto is the recommend mode for daily operation of the ADJ Focus Spot 7Z.**

**High** – This mode is only required in very high ambient temperatures when automatic fan speed adjustments are not desired. High Fan Speed will cool the fixture most efficiently. This mode will increase wear on the fans and should only be utilized in exceptional circumstances. Fans will always run, even if the fixture is dimmed. Fixture output is kept at 100% unless the LED engine temperature is too high, at which point the fixture will reduce power carefully to ensure safe operation.

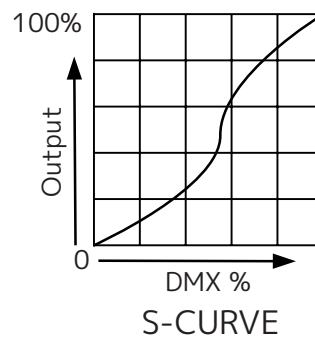
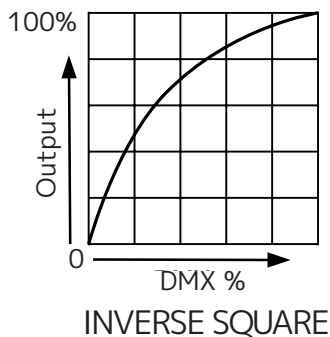
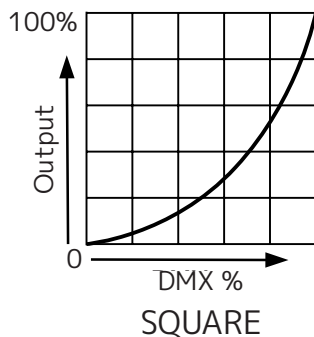
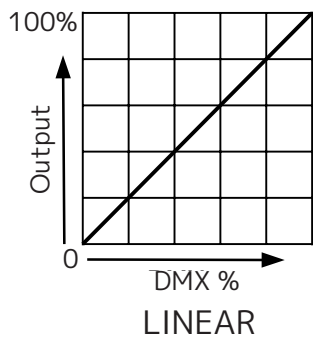
**Low** – In this mode the fixture reduces fan speeds throughout for a lower noise profile of the fixture. This mode should be sufficient for most uses where lower noise is required. The fixture output is reduced to about 80%.

# DIMMING CURVE

The fixture includes 6 different dimming curve modes which can be selected from either the system menu or via DMX. The graph below provides details on each dimming curve mode.



| Dimming Curve<br>Ramp Effect | 0 sec Fade Time |                | 1 sec Fade Time |                |
|------------------------------|-----------------|----------------|-----------------|----------------|
|                              | Rise Time (ms)  | Down Time (ms) | Rise Time (ms)  | Down Time (ms) |
| Standard (default)           | 0               | 0              | 0               | 0              |
| Stage                        | 780             | 1100           | 1540            | 1660           |
| TV                           | 1180            | 1520           | 1860            | 1940           |
| Architectural                | 1380            | 1730           | 2040            | 2120           |
| Theatre                      | 1580            | 1940           | 2230            | 2280           |
| Stage 2                      | 0               | 1100           | 0               | 1660           |





# DMX TRAITS: CHANNELS, FUNCTIONS, & VALUES

| Features subject to change without notice   |  |               |         |                                     |
|---|--|---------------|---------|-------------------------------------|
| *Rotation direction (Clockwise/Counter-Clockwise) and control of effects depends on head orientation and Pan/Tilt settings* |  |               |         |                                     |
| MODE / CHANNEL  |  |               | VALUE   | FUNCTION                            |
| Basic (30)  | Standard (34)  | Extended (45) |         |                                     |
| 1   | 1  | 1             | 000-255 | <b>Pan</b> - Pan Movement (540/630) |
|   | 2  | 2             | 000-255 | <b>Pan Fine</b>                     |
| 2   | 3  | 3             | 000-255 | <b>Tilt</b> - Tilt Movement (270)   |
|   | 4  | 4             | 000-255 | <b>Tilt Fine</b>                    |
| 3   | 5  | 5             | 000-255 | <b>Cyan</b> - 0% to 100%            |
|   |  | 6             | 000-255 | <b>Cyan Fine</b> - 0% to 100%       |
| 4   | 6  | 7             | 000-255 | <b>Magenta</b> - 0% to 100%         |
|   |  | 8             | 000-255 | <b>Magenta Fine</b> - 0% to 100%    |
| 5   | 7  | 9             | 000-255 | <b>Yellow</b> - 0% to 100%          |
|   |  | 10            | 000-255 | <b>Yellow Fine</b> - 0% to 100%     |
| 6   | 8  | 11            | 000-255 | <b>CTO</b> - 0% to 100%             |
|   |  | 12            | 000-255 | <b>CTO Fine</b> - 0% to 100%        |
| 7   | 9  | 13            |         | <b>White Color Temp Presets</b>     |
|   |  |               | 000-023 | Open                                |
|   |  |               | 024-063 | See WCT Preset Chat                 |
|   |  |               | 065-255 | 6700K                               |
| 8   | 10   | 14            |         | <b>Color Wheel</b>                  |
|   |  |               | 000-004 | Open                                |
|   |  |               | 005-017 | Open / Red                          |
|   |  |               | 018-030 | Red                                 |
|   |  |               | 031-043 | Red / Blue                          |
|   |  |               | 044-056 | Blue                                |
|   |  |               | 057-069 | Blue / Green                        |
|   |  |               | 070-082 | Green                               |
|   |  |               | 083-095 | Green / Orange                      |
|   |  |               | 096-108 | Orange                              |
|   |  |               | 109-121 | Orange / Midnight Blue              |
|   |  |               | 122-134 | Midnight Blue                       |
|   |  |               | 135-147 | Midnight Blue / High CRI Filter     |
|   |  |               | 148-160 | High CRI Filter                     |
|   |  |               | 161-173 | High CRI Filter                     |
|   |  |               | 174-186 | CTB                                 |
|   |  |               | 187-199 | CTB / Open                          |
| 200-226   | Clockwise Color Wheel Rotation, Fast -> Slow         |               |         |                                     |
| 227-228   | No Rotation  |               |         |                                     |
| 229-255   | Counter Clockwise Color Wheel Rotation, Slow -> Fast |               |         |                                     |

**Features subject to change without notice**

\*Rotation direction (Clockwise/Counter-Clockwise) and control of effects depends on head orientation and Pan/Tilt settings\*

| MODE / CHANNEL |   |               | VALUE   | FUNCTION                                      |
|----------------|---|---------------|---------|---|
| Basic (30)     | Standard (34)                                       | Extended (45) |         |   |
| 9              | 11  | 15            |         | <b>Color Macros - CMY and Color Wheel</b>     |
|                |   |               | 000-031 | OFF   |
|                |   |               | 032-039 | Macro1  |
|                |   |               | 040-047 | Macro2  |
|                |   |               | 048-055 | Macro3  |
|                |   |               | 056-063 | Macro4  |
|                |   |               | 064-071 | Macro5  |
|                |   |               | 072-079 | Macro6  |
|                |   |               | 080-087 | Macro7  |
|                |   |               | 088-095 | Macro8  |
|                |   |               | 096-103 | Macro9  |
|                |   |               | 104-111 | Macro10                                       |
|                |   |               | 112-119 | Macro11                                       |
|                |   |               | 120-127 | Macro12                                       |
|                |   |               | 128-135 | Macro13                                       |
|                |   |               | 136-143 | Macro14                                       |
|                |   |               | 144-151 | Macro15                                       |
|                |   |               | 152-159 | Macro16                                       |
|                |   |               | 160-167 | Macro17                                       |
|                |   |               | 168-175 | Macro18                                       |
|                |   |               | 176-183 | Macro19                                       |
|                |   |               | 184-191 | Macro20                                       |
|                |   |               | 192-199 | Macro21                                       |
|                |   |               | 200-207 | Macro22                                       |
|                |   |               | 208-215 | Macro23                                       |
|                |   |               | 216-223 | Macro24                                       |
|                |   |               | 224-231 | Macro25                                       |
| 232-239        | Macro26   |               |         |   |
| 240-247        | Macro27   |               |         |   |
| 248-255        | Random CMY  |               |         |   |
| 10             | 12  | 16            |         | <b>Gobo Wheel 1</b>                           |
|                |   |               | 000-009 | Open  |
|                |   |               | 010-019 | Gobo 1  |
|                |   |               | 020-029 | Gobo 2  |
|                |   |               | 030-039 | Gobo 3  |
|                |   |               | 040-049 | Gobo 4  |
|                |   |               | 050-059 | Gobo 5  |
|                |   |               | 060-069 | Gobo 6  |
|                |   |               | 070-079 | Gobo 7  |
|                |   |               | 080-094 | Gobo 1 shake (slow-fast)                      |
|                |   |               | 095-109 | Gobo 2 shake (slow-fast)                      |
|                |   |               | 110-124 | Gobo 3 shake (slow-fast)                      |
|                |   |               | 125-139 | Gobo 4 shake (slow-fast)                      |
|                |   |               | 140-154 | Gobo 5 shake (slow-fast)                      |
|                |   |               | 155-169 | Gobo 6 shake (slow-fast)                      |
|                |   |               | 170-189 | Gobo 7 shake (slow-fast)                      |
|                |   |               | 190-221 | Clockwise Gobo Wheel Rotation, Fast -> Slow   |
| 222-223        | No Rotation   |               |         |   |
| 224-255        | Counter Clockwise Gobo Wheel Rotation, Slow -> Fast |               |         |   |
| 11             | 13  | 17            |         | <b>Gobo 1 Rotation</b>                        |
|                |   |               | 000-005 | Gobo1 Rot. Off                                |
|                |   |               | 006-128 | Gobo Index 0° ... 540°                        |
|                |   |               | 129-191 | Clockwise Gobo Rotation, Fast -> Slow         |
|                |   |               | 192-192 | No Rotation                                   |
|                |   |               | 193-255 | Counter Clockwise Gobo Rotation, Slow -> Fast |
|                |   | 18            | 000-255 | <b>Gobo 1 Index Fine</b> - Gobo indexing fine |

**Features subject to change without notice**

\*Rotation direction (Clockwise/Counter-Clockwise) and control of effects depends on head orientation and Pan/Tilt settings\*

| MODE / CHANNEL |               |   | VALUE   | FUNCTION                                      |
|----------------|---------------|---|---------|---|
| Basic (30)     | Standard (34) | Extended (45)                                       |         |   |
| 12             | 14            | 19  |         | <b>Gobo Wheel 2</b>                           |
|                |               |   | 000-009 | Open  |
|                |               |   | 010-019 | Gobo 1  |
|                |               |   | 020-029 | Gobo 2  |
|                |               |   | 030-039 | Gobo 3  |
|                |               |   | 040-049 | Gobo 4  |
|                |               |   | 050-059 | Gobo 5  |
|                |               |   | 060-069 | Gobo 6  |
|                |               |   | 070-079 | Gobo 7  |
|                |               |   | 080-094 | Gobo 1 shake (slow-fast)                      |
|                |               |   | 095-109 | Gobo 2 shake (slow-fast)                      |
|                |               |   | 110-124 | Gobo 3 shake (slow-fast)                      |
|                |               |   | 125-139 | Gobo 4 shake (slow-fast)                      |
|                |               |   | 140-154 | Gobo 5 shake (slow-fast)                      |
|                |               |   | 155-169 | Gobo 6 shake (slow-fast)                      |
|                |               |   | 170-189 | Gobo 7 shake (slow-fast)                      |
|                |               |   |         | 190-221                                       |
|                | 222-223       | No Rotation   |         |   |
|                | 224-255       | Counter Clockwise Gobo Wheel Rotation, Slow -> Fast |         |   |
| 13             | 15            | 20  |         | <b>Gobo 2 Rotation</b>                        |
|                |               |   | 000-005 | Gobo2 Rot. Off                                |
|                |               |   | 006-128 | Gobo Index 0° ... 540°                        |
|                |               |   | 129-191 | Clockwise Gobo Rotation, Fast -> Slow         |
|                |               |   | 192-192 | No Rotation                                   |
|                | 193-255       | Counter Clockwise Gobo Rotation, Slow -> Fast       |         |   |
|                |               | 21  | 000-255 | <b>Gobo indexing fine</b>                     |
| 14             | 16            | 22  |         | <b>Shutter</b>                                |
|                |               |   | 000-031 | Shutter closed                                |
|                |               |   | 032-063 | Shutter open                                  |
|                |               |   | 064-095 | Strobe Slow to fast                           |
|                |               |   | 096-127 | Shutter open                                  |
|                |               |   | 128-159 | Pulse effect Slow to fast                     |
|                |               |   | 160-191 | Shutter open                                  |
|                |               |   | 192-223 | Random strobe Slow to fast                    |
|                | 224-255       | Shutter open  |         |   |
| 15             | 17            | 23  | 000-255 | <b>Dimmer</b> - Intensity 0 to 100%           |
|                | 18            | 24  | 000-255 | <b>Dimmer Fine</b> - Dimmer Intensity Fine    |
| 16             | 19            | 25  |         | <b>Prism 1</b>                                |
|                |               |   | 000-031 | No Effect                                     |
|                |               |   | 032-255 | Prism 1 (6 Facet Linear)                      |
| 17             | 20            | 26  |         | <b>Prism 1 Rotate &amp; Index</b>             |
|                |               |   | 000-127 | Prism 1 indexing                              |
|                |               |   | 128-189 | Clockwise rotation from fast to slow          |
|                |               |   | 190-193 | No rotation                                   |
|                |               |   | 194-255 | Counter-Clockwise rotation from slow to fast  |
|                |               | 27  | 000-255 | <b>Prism 1 Index Fine</b> - Fine 16-bit index |
| 18             | 21            | 28  |         | <b>Prism 2</b>                                |
|                |               |   | 000-031 | No Effect                                     |
|                |               |   | 032-255 | Prism 2 (4 Facet Square)                      |
| 19             | 22            | 29  |         | <b>Prism 2 Rotate &amp; Index</b>             |
|                |               |   | 000-127 | Prism 2 indexing                              |
|                |               |   | 128-189 | Clockwise rotation from fast to slow          |
|                |               |   | 190-193 | No rotation                                   |
|                |               |   | 194-255 | Counter-Clockwise rotation from slow to fast  |
|                |               | 30  | 000-255 | <b>Prism 2 Index Fine</b> - Fine 16-bit index |

**Features subject to change without notice**

\*Rotation direction (Clockwise/Counter-Clockwise) and control of effects depends on head orientation and Pan/Tilt settings\*

| MODE / CHANNEL |               |               | VALUE   | FUNCTION  |
|----------------|---------------|---------------|---------|---|
| Basic (30)     | Standard (34) | Extended (45) |         |   |
| 20             | 23            | 31            |         | <b>Prism/Gobo Macros</b>                          |
|                |               |               | 000-009 | No Prism - Open                                   |
|                |               |               | 010-019 | Macro1  |
|                |               |               | 020-029 | Macro2  |
|                |               |               | 030-039 | Macro3  |
|                |               |               | 040-049 | Macro4  |
|                |               |               | 050-059 | Macro5  |
|                |               |               | 060-069 | Macro6  |
|                |               |               | 070-079 | Macro7  |
|                |               |               | 080-089 | Macro8  |
|                |               |               | 090-099 | Macro9  |
|                |               |               | 100-109 | Macro10   |
|                |               |               | 110-119 | Macro11   |
|                |               |               | 120-129 | Macro12   |
|                |               |               | 130-139 | Macro13   |
|                |               |               | 140-149 | Macro14   |
|                |               |               | 150-159 | Macro15   |
|                |               |               | 160-169 | Macro16   |
|                |               |               | 170-179 | Macro17   |
|                |               |               | 180-189 | Macro18   |
|                |               |               | 190-199 | Macro19   |
|                |               |               | 200-209 | Macro20   |
|                |               |               | 210-219 | Macro21   |
|                |               |               | 220-229 | Macro22   |
| 230-239        | Macro23       |               |         |   |
| 240-255        | Macro24       |               |         |   |
| 21             | 24            | 32            | 000-255 | <b>Focus</b> - 0% to 100%                         |
|                |               | 33            | 000-255 | <b>Focus fine</b> - 0% to 100%                    |
| 22             | 25            | 34            | 000-255 | <b>Zoom</b> - Narrow to wide                      |
|                |               | 35            | 000-255 | <b>Zoom fine</b> - Narrow to wide 16-bit          |
| 23             | 26            | 36            |         | <b>Iris</b>                                       |
|                |               |               | 000-191 | Max. diameter to Min.diameter                     |
|                |               |               | 192-223 | Pulse opening fast to slow                        |
|                |               |               | 224-255 | Pulse closing slow to fast                        |
|                |               | 37            | 000-255 | <b>Iris Fine</b> - Iris Fine                      |
| 24             | 27            | 38            | 000-255 | <b>Frost 1</b> - 0% to 100% (Medium)              |
| 25             | 28            | 39            | 000-255 | <b>Frost 2</b> - 0% to 100% (Heavy)               |
| 26             | 29            | 40            |         | <b>Animation</b>                                  |
|                |               |               | 000-005 | Wheel Rot. Off                                    |
|                |               |               | 006-128 | Animation Index 0 ... 540°                        |
|                |               |               | 129-191 | Clockwise Animation Rotation, Fast -> Slow        |
|                |               |               | 192-192 | No Rotation                                       |
|                |               |               | 193-255 | Counter Clockwise Animation Rotation, Slow-> Fast |

**Features subject to change without notice**

\*Rotation direction (Clockwise/Counter-Clockwise) and control of effects depends on head orientation and Pan/Tilt settings\*

| MODE / CHANNEL |                         |               | VALUE   | FUNCTION                                     |
|----------------|-------------------------|---------------|---------|--|
| Basic (30)     | Standard (34)           | Extended (45) |         |  |
| 27             | 30                      | 41            |         | <b>Dimmer Mode</b>                           |
|                |                         |               | 000-020 | Default to Unit Setting                      |
|                |                         |               | 021-040 | Standard                                     |
|                |                         |               | 041-060 | Stage  |
|                |                         |               | 061-080 | TV   |
|                |                         |               | 081-100 | Architectural                                |
|                |                         |               | 101-120 | Theater                                      |
|                |                         |               | 121-140 | Stage 2                                      |
|                |                         |               | 141-160 | <b>Dim Speed From Fast to Slow (0.1-10s)</b> |
|                |                         |               | 141     | 0.1 Sec.                                     |
|                |                         |               | 142     | 0.2 Sec.                                     |
|                |                         |               | 143     | 0.3 Sec.                                     |
|                |                         |               | 144     | 0.4 Sec.                                     |
|                |                         |               | 145     | 0.5 Sec.                                     |
|                |                         |               | 146     | 0.6 Sec.                                     |
|                |                         |               | 147     | 0.7 Sec.                                     |
|                |                         |               | 148     | 0.8 Sec.                                     |
|                |                         |               | 149     | 0.9 Sec.                                     |
|                |                         |               | 150     | 1.0 Sec.                                     |
|                |                         |               | 151     | 1.5 Sec.                                     |
|                |                         |               | 152     | 2.0 Sec.                                     |
|                |                         |               | 153     | 3.0 Sec.                                     |
|                |                         |               | 154     | 4.0 Sec.                                     |
| 155            | 5.0 Sec.                |               |         |  |
| 156            | 6.0 Sec.                |               |         |  |
| 157            | 7.0 Sec.                |               |         |  |
| 158            | 8.0 Sec.                |               |         |  |
| 159            | 9.0 Sec.                |               |         |  |
| 160            | 10 Sec.                 |               |         |  |
| 161-255        | Default to Unit Setting |               |         |  |
|                | 31                      | 42            |         | <b>Dim Curves</b>                            |
|                |                         |               | 000-020 | Square                                       |
|                |                         |               | 021-040 | Linear                                       |
|                |                         |               | 041-060 | Inv. Squa                                    |
|                |                         |               | 061-080 | S. Curve                                     |
|                |                         |               | 081-255 | No function                                  |
| 28             | 32                      | 43            |         | <b>CMY / Color Macro Speed Max -&gt; Min</b> |
| 29             | 33                      | 44            |         | <b>Pan/Tilt Speed</b>                        |
|                |                         |               | 000-225 | Pan/Tilt Fast -> Slow                        |
|                |                         |               | 226-235 | Blackout by movement                         |
|                |                         |               | 236-245 | Blackout by all wheel changing               |
|                |                         |               | 246-255 | No function                                  |

**Features subject to change without notice**

\*Rotation direction (Clockwise/Counter-Clockwise) and control of effects depends on head orientation and Pan/Tilt settings\*

| MODE / CHANNEL |                                    |               | VALUE   | FUNCTION                               |
|----------------|------------------------------------|---------------|---------|--|
| Basic (30)     | Standard (34)                      | Extended (45) |         |  |
| 30             | 34                                 | 45            |         | <b>Special Function</b>                |
|                |                                    |               | 000-039 | No function                            |
|                |                                    |               | 040-049 | Fan Control - Low (Hold 3s)            |
|                |                                    |               | 050-059 | Fan Control - High (Hold 3s)           |
|                |                                    |               | 060-069 | Fan Control - Auto (Default) (Hold 3s) |
|                |                                    |               | 070-074 | All motor Reset (Hold 3s)              |
|                |                                    |               | 075-079 | Pan / Tilt Reset (Hold 3s)             |
|                |                                    |               | 080-084 | Color Reset (Hold 3s)                  |
|                |                                    |               | 085-089 | Gobo Reset (Hold 3s)                   |
|                |                                    |               | 090-094 | Focus and Zoom Reset (Hold 3s)         |
|                |                                    |               | 090-099 | Shutter Reset (Hold 3s)                |
|                |                                    |               | 100-104 | No function                            |
|                |                                    |               | 105-109 | Other motors Reset (Hold 3s)           |
|                |                                    |               | 110-142 | No function                            |
|                |                                    |               | 143-144 | Pan/Tilt Speed 1 (Default) (Hold 5s)   |
|                |                                    |               | 145-146 | Pan/Tilt Speed 2 (Hold 5s)             |
|                |                                    |               | 147-148 | Pan/Tilt Speed 3 (Hold 5s)             |
|                |                                    |               | 149-150 | Aria ON (Default) (Hold 3s)            |
|                |                                    |               | 151-152 | Aria OFF (Hold 5s)                     |
|                |                                    |               | 153-154 | Hibernation Enable (Hold 3s)           |
|                |                                    |               | 155-156 | Hibernation OFF (Hold 5s)              |
|                |                                    |               | 157-158 | Display Backlight ON (Hold 3s)         |
|                |                                    |               | 159-160 | Display Backlight OFF (Hold 5s)        |
|                |                                    |               | 161-164 | No function                            |
|                |                                    |               | 165-166 | Invert Pan ON (Hold 3s)                |
|                |                                    |               | 167-168 | Invert Pan OFF (Hold 5s)               |
|                |                                    |               | 169-170 | Invert Tilt ON (Hold 3s)               |
|                |                                    |               | 171-172 | Invert Tilt OFF (Hold 5s)              |
|                |                                    |               | 173-173 | 900 Hz LED Refresh Rate (Hold 1s)      |
|                |                                    |               | 174-174 | 910 Hz LED Refresh Rate (Hold 1s)      |
|                |                                    |               | 175-175 | 920 Hz LED Refresh Rate (Hold 1s)      |
|                |                                    |               | 176-176 | 930 Hz LED Refresh Rate (Hold 1s)      |
|                |                                    |               | 177-177 | 940 Hz LED Refresh Rate (Hold 1s)      |
|                |                                    |               | 178-178 | 950 Hz LED Refresh Rate (Hold 1s)      |
|                |                                    |               | 179-179 | 960 Hz LED Refresh Rate (Hold 1s)      |
|                |                                    |               | 180-180 | 970 Hz LED Refresh Rate (Hold 1s)      |
|                |                                    |               | 181-181 | 980 Hz LED Refresh Rate (Hold 1s)      |
|                |                                    |               | 182-182 | 990 Hz LED Refresh Rate (Hold 1s)      |
|                |                                    |               | 183-183 | 1000 Hz LED Refresh Rate (Hold 1s)     |
|                |                                    |               | 184-184 | 1010 Hz LED Refresh Rate (Hold 1s)     |
|                |                                    |               | 185-185 | 1020 Hz LED Refresh Rate (Hold 1s)     |
|                |                                    |               | 186-186 | 1030 Hz LED Refresh Rate (Hold 1s)     |
|                |                                    |               | 187-187 | 1040 Hz LED Refresh Rate (Hold 1s)     |
|                |                                    |               | 188-188 | 1050 Hz LED Refresh Rate (Hold 1s)     |
|                |                                    |               | 189-189 | 1060 Hz LED Refresh Rate (Hold 1s)     |
| 190-190        | 1070 Hz LED Refresh Rate (Hold 1s) |               |         |  |
| 191-191        | 1080 Hz LED Refresh Rate (Hold 1s) |               |         |  |
| 192-192        | 1090 Hz LED Refresh Rate (Hold 1s) |               |         |  |
| 193-193        | 1100 Hz LED Refresh Rate (Hold 1s) |               |         |  |
| 194-194        | 1110 Hz LED Refresh Rate (Hold 1s) |               |         |  |
| 195-195        | 1120 Hz LED Refresh Rate (Hold 1s) |               |         |  |

**Features subject to change without notice**

\*Rotation direction (Clockwise/Counter-Clockwise) and control of effects depends on head orientation and Pan/Tilt settings\*

| MODE / CHANNEL |               |               | VALUE   | FUNCTION                                    |
|----------------|---------------|---------------|---------|---|
| Basic (30)     | Standard (34) | Extended (45) |         |   |
|                |               |               |         | <b>Special Function</b>                     |
|                |               |               | 196-196 | 1130 Hz LED Refresh Rate (Hold 1s)          |
|                |               |               | 197-197 | 1140 Hz LED Refresh Rate (Hold 1s)          |
|                |               |               | 198-198 | 1150 Hz LED Refresh Rate (Hold 1s)          |
|                |               |               | 199-199 | 1160 Hz LED Refresh Rate (Hold 1s)          |
|                |               |               | 200-200 | 1170 Hz LED Refresh Rate (Hold 1s)          |
|                |               |               | 201-201 | 1180 Hz LED Refresh Rate (Hold 1s)          |
|                |               |               | 202-202 | 1190 Hz LED Refresh Rate (Hold 1s)          |
|                |               |               | 203-203 | 1210 Hz LED Refresh Rate (Hold 1s)          |
|                |               |               | 204-204 | 1220 Hz LED Refresh Rate (Hold 1s)          |
|                |               |               | 205-205 | 1230 Hz LED Refresh Rate (Hold 1s)          |
|                |               |               | 206-206 | 1240 Hz LED Refresh Rate (Hold 1s)          |
|                |               |               | 207-207 | 1250 Hz LED Refresh Rate (Hold 1s)          |
|                |               |               | 208-208 | 1260 Hz LED Refresh Rate (Hold 1s)          |
|                |               |               | 209-209 | 1270 Hz LED Refresh Rate (Hold 1s)          |
|                |               |               | 210-210 | 1280 Hz LED Refresh Rate (Hold 1s)          |
|                |               |               | 211-211 | 1290 Hz LED Refresh Rate (Hold 1s)          |
|                |               |               | 212-212 | 1300 Hz LED Refresh Rate (Hold 1s)          |
|                |               |               | 213-213 | 1310 Hz LED Refresh Rate (Hold 1s)          |
|                |               |               | 214-214 | 1320 Hz LED Refresh Rate (Hold 1s)          |
|                |               |               | 215-215 | 1330 Hz LED Refresh Rate (Hold 1s)          |
|                |               |               | 216-216 | 1340 Hz LED Refresh Rate (Hold 1s)          |
|                |               |               | 217-217 | 1350 Hz LED Refresh Rate (Hold 1s)          |
|                |               |               | 218-218 | 1360 Hz LED Refresh Rate (Hold 1s)          |
|                |               |               | 219-219 | 1370 Hz LED Refresh Rate (Hold 1s)          |
|                |               |               | 220-220 | 1380 Hz LED Refresh Rate (Hold 1s)          |
|                |               |               | 221-221 | 1390 Hz LED Refresh Rate (Hold 1s)          |
| 30             | 34            | 45            | 222-222 | 1400 Hz LED Refresh Rate (Hold 1s)          |
|                |               |               | 223-223 | 1410 Hz LED Refresh Rate (Hold 1s)          |
|                |               |               | 224-224 | 1420 Hz LED Refresh Rate (Hold 1s)          |
|                |               |               | 225-225 | 1430 Hz LED Refresh Rate (Hold 1s)          |
|                |               |               | 226-226 | 1440 Hz LED Refresh Rate (Hold 1s)          |
|                |               |               | 227-227 | 1450 Hz LED Refresh Rate (Hold 1s)          |
|                |               |               | 228-228 | 1460 Hz LED Refresh Rate (Hold 1s)          |
|                |               |               | 229-229 | 1470 Hz LED Refresh Rate (Hold 1s)          |
|                |               |               | 230-230 | 1480 Hz LED Refresh Rate (Hold 1s)          |
|                |               |               | 231-231 | 1490 Hz LED Refresh Rate (Hold 1s)          |
|                |               |               | 232-232 | 1500 Hz LED Refresh Rate (Hold 1s)          |
|                |               |               | 233-233 | 2500 Hz LED Refresh Rate (Hold 1s)          |
|                |               |               | 234-234 | 4000 Hz LED Refresh Rate (Hold 1s)          |
|                |               |               | 235-235 | 5000 Hz LED Refresh Rate (Hold 1s)          |
|                |               |               | 236-236 | 6000 Hz LED Refresh Rate (Hold 1s)          |
|                |               |               | 237-237 | 10,000 Hz LED Refresh Rate (Hold 1s)        |
|                |               |               | 238-238 | 15,000 Hz LED Refresh Rate (Hold 1s)        |
|                |               |               | 239-239 | 20,000 Hz LED Refresh Rate (Hold 1s)        |
|                |               |               | 240-240 | 25,000 Hz LED Refresh Rate (Hold 1s)        |
|                |               |               | 241-241 | Internal program 1 (scenes 1~8) (Hold 3s)   |
|                |               |               | 242-242 | Internal program 2 (scenes 9~16) (Hold 3s)  |
|                |               |               | 243-243 | Internal program 3 (scenes 17~24) (Hold 3s) |
|                |               |               | 244-244 | Internal program 4 (scenes 25~32) (Hold 3s) |
|                |               |               | 245-245 | Internal program 5 (scenes 33~40) (Hold 3s) |
|                |               |               | 246-246 | Internal program 6 (scenes 41~48) (Hold 3s) |
|                |               |               | 247-247 | Internal program 7 (scenes 49~56) (Hold 3s) |
|                |               |               | 248-250 | Enable CT Mode (Hold 3s)                    |
|                |               |               | 251-253 | Disable CT Mode (Hold 5s)                   |
|                |               |               | 254-255 | No function                                 |

## DMX TRAITS: COLOR TEMPERATURE

| DMX VALUE | COLOR TEMPERATURE (K) | DMX VALUE | COLOR TEMPERATURE (K) |
|-----------|-----------------------|-----------|-----------------------|
| 24        | 2700                  | 44        | 4700                  |
| 25        | 2800                  | 45        | 4800                  |
| 26        | 2900                  | 46        | 4900                  |
| 27        | 3000                  | 47        | 5000                  |
| 28        | 3100                  | 48        | 5100                  |
| 29        | 3200                  | 49        | 5200                  |
| 30        | 3300                  | 50        | 5300                  |
| 31        | 3400                  | 51        | 5400                  |
| 32        | 3500                  | 52        | 5500                  |
| 33        | 3600                  | 53        | 5600                  |
| 34        | 3700                  | 54        | 5700                  |
| 35        | 3800                  | 55        | 5800                  |
| 36        | 3900                  | 56        | 5900                  |
| 37        | 4000                  | 57        | 6000                  |
| 38        | 4100                  | 58        | 6100                  |
| 39        | 4200                  | 59        | 6200                  |
| 40        | 4300                  | 60        | 6300                  |
| 41        | 4400                  | 61        | 6400                  |
| 42        | 4500                  | 62        | 6500                  |
| 43        | 4600                  | 63        | 6600                  |



# REMOTE DEVICE MANAGEMENT (RDM)

**NOTE: In order for RDM to work properly, RDM enabled equipment must be used throughout the entire system, including DMX data splitters and wireless systems.**

Remote Device Management (RDM) is a protocol that sits on top of the DMX512 data standard for lighting, allowing the DMX systems of the device to be managed, modified, and monitored remotely (hence, remote device management). This protocol is ideal for fixtures installed in locations that are not easily accessible.

With RDM, the DMX512 system becomes bi-directional, allowing a compatible RDM enabled controller to send out a signal to devices on the wire, as well as allowing the fixture to respond (known as a GET command). The controller can then use it's SET command to modify settings that would typically have to be changed or viewed directly via the unit's display screen, including the DMX Address, DMX Channel Mode, and Temperature Sensors.

FIXTURE RDM INFORMATION:

| RDM Code | Device ID | Device Model ID | Personality ID |
|----------|-----------|-----------------|----------------|
| 0X667    | OPEN      | 1639            | OPEN           |

Please be aware that not all RDM devices support all RDM features, and therefore it is important to check beforehand to ensure that the equipment that you are considering includes all of the features that you require.

The following parameters are accessible in RDM on this device:

| RDM Accessible Parameters            |                                       |
|--------------------------------------|---------------------------------------|
| [0x0011] Proxied Device Count        | [0x0600] Pan Invert                   |
| [0x0200] Sensor Definition           | [0x0601] Tilt Invert                  |
| [0x0201] Sensor Value                | [0x0602] Pan Tilt Swap                |
| [0x0080] Device Model Description    | [0x0500] Display Invert               |
| [0x0081] Manufacturer Label          | [0x0501] Display Level                |
| [0x0082] Device Label                | [0x0603] Realtime Clock               |
| [0x00E0] DMX Personality             | [0x1010] Power State                  |
| [0x00E1] DMX Personality Description | [0x1031] Preset Playback              |
| [0x0400] Device Hours                | [0x0122] Default Slot Value           |
| [0x0015] Comms Status                | [0x00B0] Language                     |
| [0x0031] Status ID Description       | [0x00A0] Language Capabilities        |
| [0x0032] Clear Status ID             | [0x00C2] Boot Software Version Label  |
| [0x0401] Lamp Hours                  | [0x00C1] Boot Software Version ID     |
| [0x0402] Lamp Strikes                | [0x0070] Product Detail ID List       |
| [0x0403] Lamp State                  | [0x0030] Status Messages              |
| [0x0404] Lamp Mode                   | [0x1001] Reset Device                 |
| [0x0405] Device Power Cycles         | [0x0016] Undefined PID [0x0016, (22)] |

# ERROR CODES

| Error Codes subject to change without notice  |   |
|---|---|
| ERROR CODES   | DESCRIPTION   |
| Pan<br>Tilt<br>Cyan<br>Megenta<br>Yellow<br>CTO<br>Gobo1<br>Gobo2<br>Gobo1Rot<br>Gobo2Rot<br>Color1<br>Animation<br>Anima.Rot<br>Iris<br>Prism1<br>Prism1Rot<br>Prism2<br>Prism2Rot<br>Frost1<br>Frost2<br>Zoom<br>Focus<br>Base Temp<br>Head Temp<br>LED Fan1<br>LED Fan3<br>LED Fan4<br>Focus Fan<br>Gobo Fan<br>Base Fan | <p>Movement is not located in the default position after the reset. This message will appear after a fixture reset if the magnetic-indexing circuit malfunctions (sensor failed, or magnet is missing) or there is a motor failure (defective motor or a defective motor IC drive on the main PCB).</p> |

# MAINTENANCE GUIDELINES



**DISCONNECT POWER BEFORE PERFORMING ANY MAINTENANCE!**

## CLEANING

Frequent cleaning is recommended to insure proper function, optimized light output, and an extended life. The frequency of cleaning depends on the environment in which the fixture operates: damp, smoky, or particularly dirty environments can cause greater accumulation of dirt on the fixture's optics. Clean the external lens surface regularly with a soft cloth to avoid dirt/debris accumulation.

**NEVER** use alcohol, solvents, or ammonia-based cleaners.

## MAINTENANCE

Regular inspections are recommended to insure proper function and extended life. There are no user serviceable parts inside this fixture. Please refer all other service issues to an authorized Elation service technician. Should you need any spare parts, please order genuine parts from your local Elation dealer.

Please refer to the following points during routine inspections:

- A detailed electrical check by an approved electrical engineer every three months, to make sure the circuit contacts are in good condition and prevent overheating.
- Be sure all screws and fasteners are securely tightened at all times. Loose screws may fall out during normal operation, resulting in damage or injury as larger parts could fall.
- Check for any deformations on the housing, color lenses, rigging hardware, and rigging points (ceiling, suspension, trussing). Deformations in the housing could allow for dust to enter into the fixture. Damaged rigging points or unsecured rigging could cause the fixture to fall and seriously injure a person(s).
- Electric power supply cables must not show any damage, material fatigue, or sediments.

**NEVER** remove the ground prong from the power cable.

## FUSE REPLACEMENT

Unplug the unit from any power source it may be connected to. Once the power has been disconnected, use a flat head screw driver to unscrew the fuse holder located next to the power input. Remove the bad fuse and replace with a new one, and screw the fuse holder back in.

# SPECIFICATIONS

## SOURCE

- 420W White LED Engine
- 20,000 Hour Average LED Life

## PHOTOMETRIC DATA

- 20,000 Total Lumens
- 8,000K, >73CRI (without CRI Filter)
- 7,700K >85CRI (with CRI Filter)
- 56,513 LUX @16.4' (5m) (6° Beam)
- 1,585 LUX @16.4' (5m) (48° Beam)

## EFFECTS

- 4-Facet Circular & 6-Facet Linear Rotating Prisms
- 2 Frost Filters (Light & Heavy)
- Animation Wheel (Rotatable and Indexable)
- Motorized Zoom (6° ~ 48°)
- Motorized Focus
- Motorized Iris
- Electronic Dimming & Strobe (1-20Hz)

## COLOR

- Full CMY color mixing
- Variable CTO (2,700K to 8,000K)
- Colors Wheel with 7 dichroic slots (Includes High CRI and CTB Filters)
- CMY and Color Wheel preset macros

## GOBOS

- (2) Gobo Wheels
- #1 - (7) Interchangeable Rotating-Indexing Gobos
- #2 - (7) Interchangeable Rotating-Indexing Gobos

## CONTROL / CONNECTIONS

- (3) DMX Channel Modes (30 / 34 / 45)
- DMX512, ArtNet and sACN protocols
- Aria XT Wireless DMX
- RDM (Remote Device Management) compliant
- 6 Button Touch Control Panel
- Full Color 180° Reversible LCD Menu Display
- 8 / 16 Bit Resolution Adjustable Movement
- 3 & 5 pin XLR DMX In/Out
- Locking In/Out power connections
- With Wired Digital Communication Network

## PAN / TILT

- Pan: 540-degrees
- Tilt: 270-degrees
- Pan & Tilt Locks

## SIZE / WEIGHT

- Length: 14.73" (374mm)
- Width: 9.22" (234mm)
- Vertical Height: 24.81" (630mm)
- Weight: 51.7 lbs. (23.45kg)

## ELECTRICAL / THERMAL

- AC 100-240V - 50/60Hz
- Max Power Consumption: 524W
- Max ambient temperature: 14°F to 113°F (-10°C to 45°C)
- Max housing temperature: 136°F (58°C)

## TECHNICAL DATA

- DB Rating @ 3ft.: 49dB
- BTU: 0.53
- BTU/H: 1,909.60

## APPROVALS / RATINGS

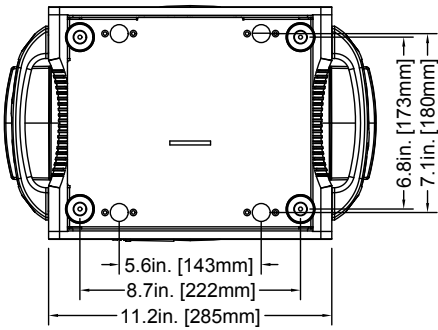
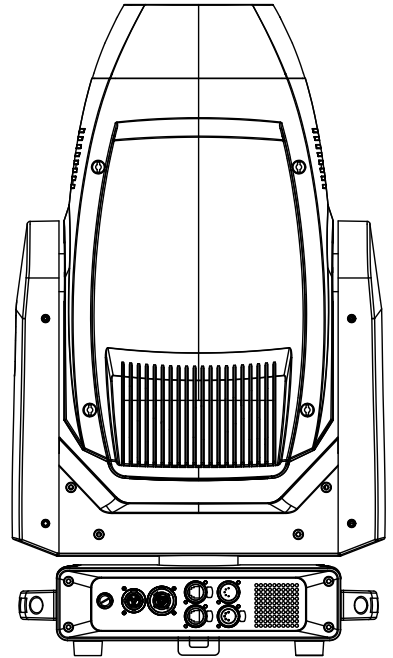
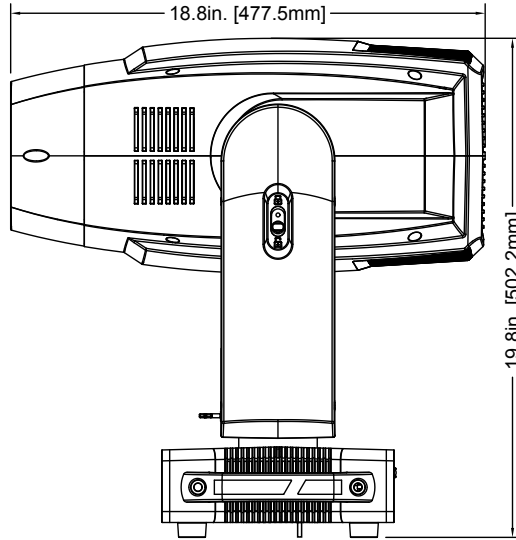
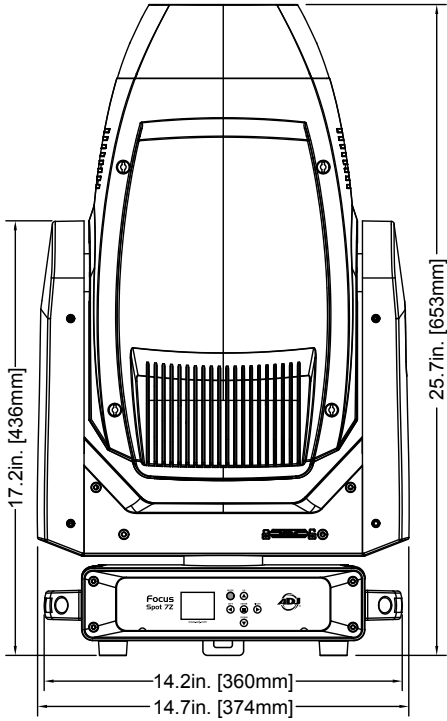
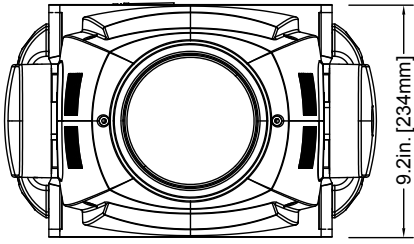
- CE I ETL (Pending)
- IP20

## INCLUDED ACCESSORIES

- Locking Power cable
- 180mm Omega brackets (x2)

# DIMENSION DRAWINGS

Dimensions not to scale

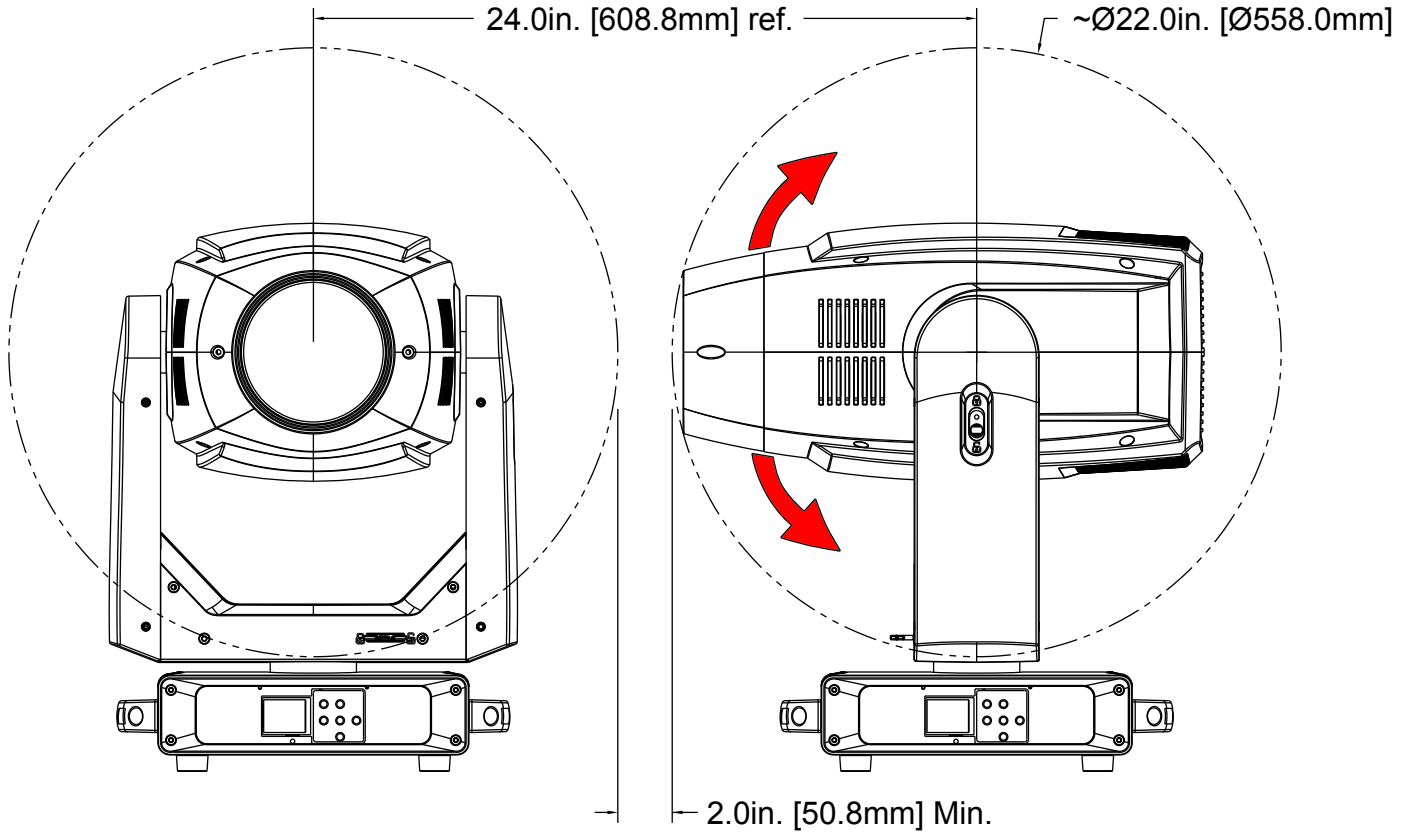


# DIMENSION DRAWINGS

Dimensions not to scale

## MINIMUM CENTER-TO-CENTER FIXTURE INSTALLATION DISTANCE

The moving-head radial movement arc of the ADJ Focus Spot 7Z is approximately 11-inches [279mm]. To avoid damaging fixtures through convergent head-movement radial interference impacts, maintain a 22.4in. [570mm] minimum center-to-center distance between fixtures.



## **FCC STATEMENT**

This device complies with Part 15 of the FCC Rules. Operation is subject to the following two conditions: (1) this device may not cause harmful interference, and (2) this device must accept any interference received, including interference that may cause undesired operation.

## **FCC RADIO FREQUENCY INTERFERENCE WARNINGS & INSTRUCTIONS**

This product has been tested and found to comply with the limits as per Part 15 of the FCC Rules. These limits are designed to provide reasonable protection against harmful interference in a residential installation. This device uses and can radiate radio frequency energy and, if not installed and used in accordance with the included instructions, may cause harmful interference to radio communications. However, there is no guarantee that interference will not occur in a particular installation. If this device does cause harmful interference to radio or television reception, which can be determined by turning the device off and on, the user is encouraged to try to correct the interference by one or more of the following methods:

- Reorient or relocate the device.
- increase the separation between the device and the receiver.
- Connect the device to an electrical outlet on a circuit different from which the radio receiver is connected.
- Consult the dealer or an experienced radio/TV technician for help.

## **Energy Saving Matters (EuP 2009/125/EC)**

Saving electric energy is a key to help protecting the environment. Please turn off all electrical products when they are not in use. To avoid power consumption in idle mode, disconnect all electrical equipment from power when not in use. Thank you!



