



# **ENCORE Z7LP**

User Manual

©2022 ADJ Products, LLC all rights reserved. Information, specifications, diagrams, images, and instructions herein are subject to change without notice. ADJ Products, LLC logo and identifying product names and numbers herein are trademarks of ADJ Products, LLC. Copyright protection claimed includes all forms and matters of copyrightable materials and information now allowed by statutory or judicial law or hereinafter granted. Product names used in this document may be trademarks or registered trademarks of their respective companies and are hereby acknowledged. All non-ADJ Products, LLC brands and product names are trademarks or registered trademarks of their respective companies.

**ADJ Products, LLC** and all affiliated companies hereby disclaim any and all liabilities for property, equipment, building, and electrical damages, injuries to any persons, and direct or indirect economic loss associated with the use or reliance of any information contained within this document, and/or as a result of the improper, unsafe, insufficient and negligent assembly, installation, rigging, and operation of this product.

### **ADJ PRODUCTS LLC World Headquarters**

6122 S. Eastern Ave. | Los Angeles, CA 90040 USA

Tel: 800-322-6337 | Fax: 323-582-2941 | [www.adj.com](http://www.adj.com) | [support@adj.com](mailto:support@adj.com)

### **ADJ Supply Europe B.V.**

Junostraat 2 | 6468 EW Kerkrade | Netherlands

Tel: +31 45 546 85 00 | Fax: +31 45 546 85 99 | [www.americandj.eu](http://www.americandj.eu) | [service@americandj.eu](mailto:service@americandj.eu)

### **Europe Energy Saving Notice**

Energy Saving Matters (EuP 2009/125/EC)

Saving electric energy is a key to help protecting the environment. Please turn off all electrical products when they are not in use. To avoid power consumption in idle mode, disconnect all electrical equipment from power when not in use. Thank you!

### **DOCUMENT VERSION**



Due to additional product features and/or enhancements, an updated version of this document may be available online.

Please check [www.adj.com](http://www.adj.com) for the latest revision/update of this manual before beginning installation and/or programming.

Date	Document Version	Software Version	DMX Channels	Notes
05/17/2022	1.0	1.01	6/9/10/12/15/18 ch.	Initial Release
06/27/2022	1.1	N/C	No Change	Added RDM & Dimmer Curves
07/13/2022	1.2	N/C	No Change	Updated RDM Codes & IDs
10/28/2022	1.3	N/C	No Change	Updated Dimensions
11/08/2022	1.4	N/C	No Change	Updated DMX Traits & System Menu

# CONTENTS

Introduction	4
Limited Warranty (USA Only)	5
Warranty Registration   Features	6
Safety Guidelines	7
Overview	8
Installation	9
Remote Device Management (RDM)	14
Wifly Control	15
System Menu	16
DMX Setup	19
DMX Traits	21
Color Macros Chart	23
Dimmer Speeds	24
Dim Modes	25
Daisy Chain Power Linking   Cleaning & Maintenance	26
Specifications	32

# GENERAL INFORMATION

## INTRODUCTION

Please read and understand the instructions in this manual carefully and thoroughly before attempting to operate this device. These instructions contain important safety and use information.

**This product is intended for use by professionally trained personnel only, and is not suitable for private use.**

## UNPACKING

Every device has been thoroughly tested and has been shipped in perfect operating condition. Carefully check the shipping carton for damage that may have occurred during shipping. If the carton is damaged, carefully inspect the device for damage, and be sure all accessories necessary to install and operate the device have arrived intact. In the event damage has been found or parts are missing, please contact our customer support team for further instructions. Please do not return this device to your dealer without first contacting customer support. Please do not discard the shipping carton in the trash. Please recycle whenever possible.

## CUSTOMER SUPPORT

Contact ADJ Service for any product related service and support needs.

Also visit [forums.adj.com](https://forums.adj.com) with questions, comments or suggestions.

**ADJ SERVICE USA** - Monday - Friday 8:00am to 4:30pm PST

323-582-2650 | Fax: 323-832-2941 | [support@adj.com](mailto:support@adj.com)

**ADJ SERVICE EUROPE** - Monday - Friday 08:30 to 17:00 CET

+31 45 546 85 60 | Fax: +31 45 546 85 96 | [support@adj.eu](mailto:support@adj.eu)

**REPLACEMENT PARTS** please visit [parts.adj.com](https://parts.adj.com)



## IMPORTANT NOTICE!

**THERE ARE NO USER SERVICEABLE PARTS INSIDE THIS UNIT.**

**DO NOT ATTEMPT ANY REPAIRS YOURSELF; DOING SO WILL VOID YOUR MANUFACTURER'S WARRANTY. DAMAGES RESULTING FROM MODIFICATIONS TO THIS FIXTURE AND/OR THE DISREGARD OF SAFETY INSTRUCTIONS AND GUIDELINES IN THIS MANUAL VOID THE MANUFACTURER'S WARRANTY AND ARE NOT SUBJECT TO WARRANTY CLAIMS AND/OR REPAIRS.**

# LIMITED WARRANTY (USA ONLY)

- A. ADJ Products, LLC hereby warrants, to the original purchaser, ADJ Products, LLC products to be free of manufacturing defects in material and workmanship for a prescribed period from the date of purchase (see specific warranty period on reverse). This warranty shall be valid only if the product is purchased within the United States of America, including possessions and territories. It is the owner's responsibility to establish the date and place of purchase by acceptable evidence, at the time service is sought.
- B. For warranty service, you must obtain a Return Authorization number (RA#) before sending back the product-please contact ADJ Products, LLC Service Department at 800-322-6337. Send the product only to the ADJ Products, LLC factory. All shipping charges must be pre-paid. If the requested repairs or service (including parts replacement) are within the terms of this warranty, ADJ Products, LLC will pay return shipping charges only to a designated point within the United States. If the entire instrument is sent, it must be shipped in its original package. No accessories should be shipped with the product. If any accessories are shipped with the product, ADJ Products, LLC shall have no liability whatsoever for loss of or damage to any such accessories, or for the safe return thereof.
- C. This warranty is void if the serial number has been altered or removed; if the product is modified in any manner which ADJ Products, LLC concludes, after inspection, affects the reliability of the product, if the product has been repaired or service by anyone other than ADJ Products, LLC factory unless prior written authorization was issued to purchaser by ADJ Products, LLC; if the product is damaged because not properly maintained as set forth in the instruction manual.
- D. This is not a service contract, and this warranty does not include maintenance, cleaning or periodic check up. During the period specified above, ADJ Products, LLC will replace defective parts at its expense with new or refurbished parts, and will absorb all expenses for warrant service and repair labor by reason of defects in material or workmanship. The sole responsibility of ADJ Products, LLC under this warranty shall be limited to the repair of the product, or replacement thereof, including parts, at the sole discretion of ADJ Products, LLC. All products covered by this warranty were manufactured after August 15, 2012, and bear identifying marks to that effect.
- E. ADJ Products, LLC reserves the right to make changes in design and/or improvements upon its products without any obligation to include these changes in any products theretofore manufactured.
- F. No warranty, whether expressed or implied, is given or made with respect to any accessory supplied with products described above. Except to the extent prohibited by applicable law, all implied warranties made by ADJ Products, LLC in connection with this product, including warranties of merchantability or fitness, are limited in duration to the warranty period set forth above. And no warranties, whether expressed or implied, including warranties of merchantability or fitness, shall apply to this product after said period has expired. The consumer's and/or Dealer's sole remedy shall be such repair or replacement as is expressly provided above; and under no circumstances shall ADJ Products, LLC be liable for any loss or damage, direct or consequential, arising out of the use of, or inability to use, this product.
- G. This warranty is the only written warranty applicable to ADJ Products, LLC Products and supersedes all prior warranties and written descriptions of warranty terms and conditions heretofore published.

## LIMITED WARRANTY PERIODS

- **Non L.E.D. Lighting Products = 1-year (365 days) Limited Warranty** (Such as: Special Effect Lighting, Intelligent Lighting, UV lighting, Strobes, Fog Machines, Bubble Machines, Mirror Balls, Par Cans, Trussing, Lighting Stands etc. excluding LED and lamps)
- **Laser Products = 1 Year (365 Days) Limited Warranty** (excludes laser diodes which have 6 month limited warranty)
- **L.E.D. Products = 2-year (730 days) Limited Warranty** (excluding batteries which have a 180 day limited warranty)  
Note: 2 Year Warranty only applies to purchases within the United States.
- **StarTec Series = 1 Year Limited Warranty** (excluding batteries which have a 180 day limited warranty)
- **ADJ DMX Controllers = 2 Year (730 Days) Limited Warranty**

## WARRANTY REGISTRATION

Please fill out the enclosed warranty card to validate your purchase. All returned service items, whether under warranty or not, must be freight pre-paid and accompanied by a return authorization (R.A.) number. The R.A. number must be clearly written on the outside of the return package. A brief description of the problem as well as the R.A. number must also be written down on a piece of paper included in the shipping carton. If the unit is under warranty, you must provide a copy of your proof of purchase invoice. You may obtain an R.A. number by contacting our customer support team on our customer support number. All packages returned to the service department not displaying an R.A. number on the outside of the package will be returned to the shipper.

## FEATURES

The ADJ Encore Z7LP is a versatile LED par with seven (7) 20W Quad LEDs (4-in-1: Red, Green, Blue & Lime). Intended for dry, indoor usage only, it offers 16-bit fine RGBL color control and 64 built-in color macros, as well as 6 DMX channel mode options, RDM, and flicker-free operation.

### INCLUDED ITEMS

- Power Cord
- Safety Cable
- Gel Frame Assembly

### IP RATING

An IP rated lighting fixture is commonly installed in outdoor environments and has been designed with an enclosure that effectively protects the ingress (entry) of external foreign objects such as dust and water. The Ingress Protection (IP) rating system is commonly expressed as “IP” followed by two numbers (i.e. IP65), where the numbers define the degree of protection. The first digit (Foreign Bodies Protection) indicates the extent of protection against particles entering the fixture and the second digit (Water Protection) indicates the extent of protection against water entering the fixture.

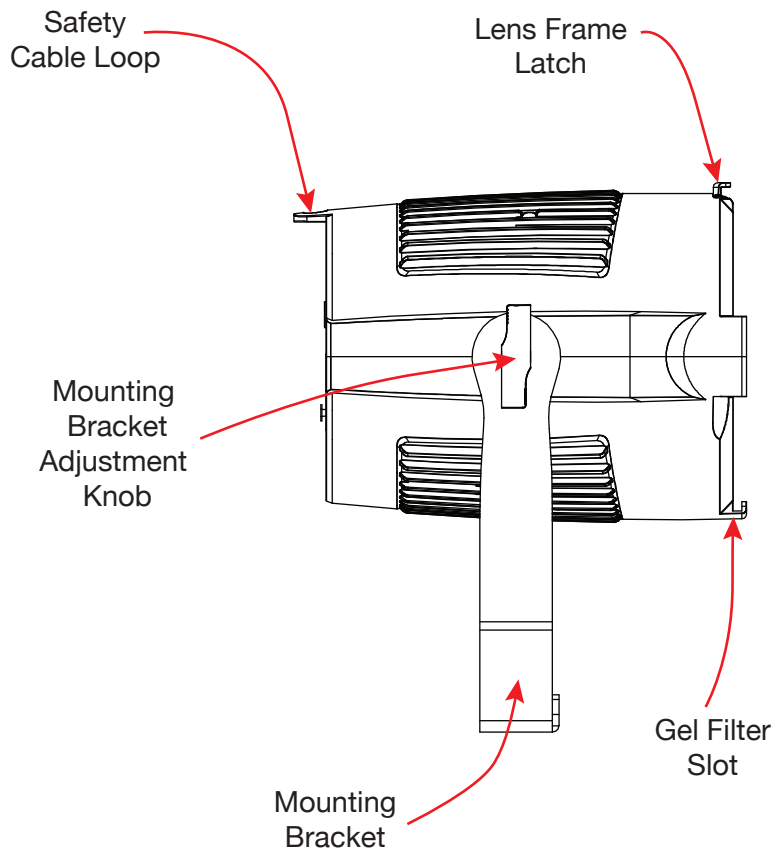
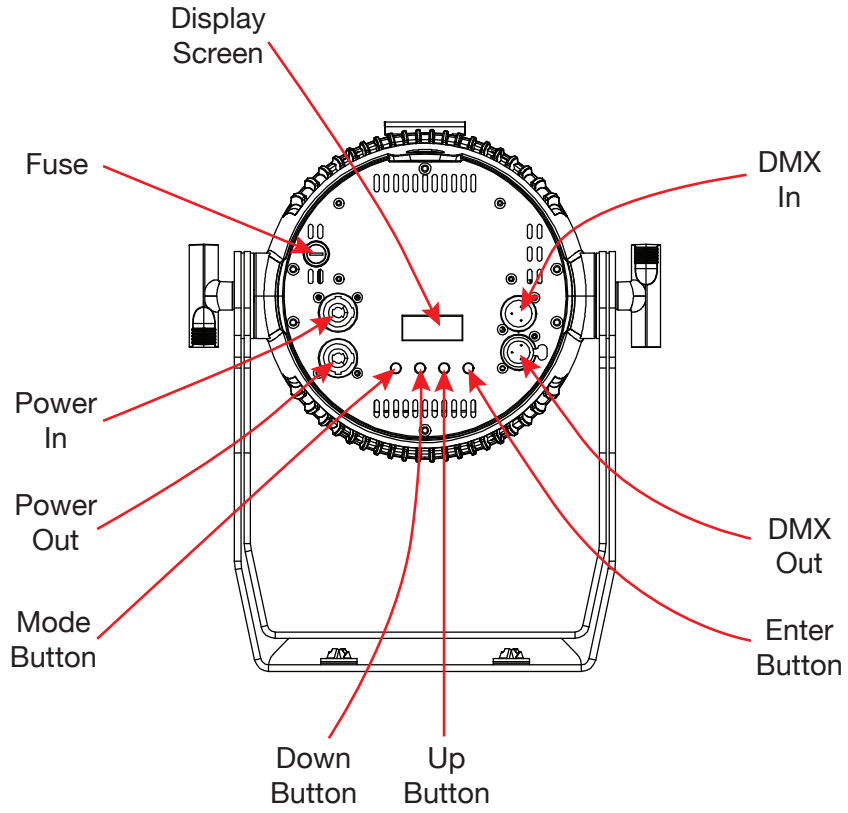
An IP20 rated lighting fixture, such as this one, has been designed and tested to protect against the ingress of solid objects 12.5mm or larger, such as adult fingers (2), but are **NOT RATED FOR PROTECTION AGAINST LIQUID INTRUSION OF ANY KIND (0)**.

# SAFETY GUIDELINES

THIS FIXTURE IS COMPOSED OF SOPHISTICATED ELECTRONIC COMPONENTS. TO GUARANTEE SMOOTH OPERATION, IT IS IMPORTANT TO FOLLOW ALL INSTRUCTIONS AND GUIDELINES IN THIS MANUAL. ADJ PRODUCTS, LLC IS NOT RESPONSIBLE FOR INJURY AND/OR DAMAGES RESULTING FROM THE MISUSE OF THIS FIXTURE DUE TO THE DISREGARD OF THE INFORMATION PRINTED IN THIS MANUAL. ONLY QUALIFIED AND/OR CERTIFIED PERSONNEL SHOULD PERFORM INSTALLATION OF THIS FIXTURE AND ONLY THE ORIGINAL RIGGING PARTS INCLUDED WITH THIS FIXTURE SHOULD BE USED FOR INSTALLATION. ANY MODIFICATIONS TO THE FIXTURE AND/OR THE INCLUDED MOUNTING HARDWARE WILL VOID THE ORIGINAL MANUFACTURER'S WARRANTY AND INCREASE THE RISK OF DAMAGE AND/OR PERSONAL INJURY. ONLY CERTIFIED PERSONNEL SHOULD PERFORM INSTALLATION OF THIS FIXTURE.

- **PROTECTION CLASS 1 - FIXTURE MUST BE PROPERLY GROUNDED.**
- **THERE ARE NO USER SERVICEABLE PARTS INSIDE THIS UNIT.**
- **DO NOT ATTEMPT ANY REPAIRS YOURSELF; DOING SO WILL VOID YOUR MANUFACTURER'S WARRANTY. DAMAGES RESULTING FROM MODIFICATIONS TO THIS FIXTURE AND/OR THE DISREGARD OF SAFETY INSTRUCTIONS AND GUIDELINES IN THIS MANUAL VOID THE MANUFACTURER'S WARRANTY AND ARE NOT SUBJECT TO ANY WARRANTY CLAIMS AND/OR REPAIRS.**
- **DO NOT PLUG FIXTURE INTO A DIMMER PACK!**
- **NEVER OPEN THIS FIXTURE WHILE IN USE!**
- **UNPLUG POWER BEFORE SERVICING FIXTURE!**
- **NEVER TOUCH FIXTURE DURING OPERATION, AS IT MAY BE HOT!**
- **KEEP FLAMMABLE MATERIALS AWAY FROM FIXTURE!**
- **NEVER LOOK DIRECTLY INTO THE LIGHT SOURCE!**
- **RETINA INJURY RISK - MAY INDUCE BLINDNESS!**
- **SENSITIVE PERSONS MAY SUFFER AN EPILEPTIC SHOCK!**
- **MINIMUM DISTANCE TO OBJECTS/SURFACES IS 6.6 FEET (2 METERS)**
- **MAXIMUM AMBIENT TEMPERATURE IS 113° F (45°C). DO NOT OPERATE THE DEVICE WHEN AMBIENT TEMPERATURE EXCEEDS THIS VALUE.**
- **MINIMUM DISTANCE TO FLAMMABLE MATERIALS FROM THE SURFACE IS 1.6 FEET (0.5 METER).**
- **DO NOT TOUCH** the fixture housing during operation. Turn OFF the power and allow approximately 60 minutes for the fixture to cool down before servicing.
- **DO NOT** shake fixture, and avoid brute force when installing and/or operating fixture.
- **DO NOT** operate fixture if the power cord is frayed, crimped, damaged and/or if any of the power cord connectors are damaged and do not insert into the fixture securely with ease. NEVER force a power cord connector into the fixture. If the power cord or any of its connectors are damaged, replace it immediately with a new one of the same power rating.
- **DO NOT** block any air ventilation slots. All fan and air inlets must remain clean and never blocked. Allow approx. 6" (15cm) between fixture and other devices or a wall for proper cooling.
- When installing fixture in a suspended environment, always use mounting hardware that is no less than M10 x 25 mm, and always install fixture with an appropriately rated safety cable.
- Always disconnect fixture from main power source before performing any type of service and/or cleaning procedure.
- Only handle the power cord by the plug end. Never pull out the plug by tugging the wire portion of the cord.
- During the initial operation of this fixture, a light smoke or smell may emit from the interior of the fixture. This is a normal process and is caused by excess paint in the interior of the casing burning off from the heat associated with the lamp and will decrease gradually over time.
- Consistent operational breaks will ensure fixture will function properly for many years.
- **ONLY** use original packaging and materials to transport the fixture for service.

# OVERVIEW





# INSTALLATION



## **FLAMMABLE MATERIAL WARNING**

Keep fixture minimum 5.0 feet (1.5m) away from flammable materials and/or pyrotechnics.



## **ELECTRICAL CONNECTIONS**

A qualified electrician should be used for all electrical connections and/or installations.



**MINIMUM DISTANCE TO OBJECTS/SURFACES IS 6.6 FEET (2 METERS).**

**MINIMUM DISTANCE OF FLAMMABLE MATERIALS FROM THE SURFACE IS 1.6 FEET (0.5 METER)**



**DEVICE IS INTENDED FOR USE IN DRY, INDOOR LOCATIONS ONLY! USE OF THIS PRODUCT OUTDOORS OR EXPOSURE TO RAIN AND/OR MOISTURE WILL VOID THE MANUFACTURER'S WARRANTY!**

## **DO NOT INSTALL THE FIXTURE IF YOU ARE NOT QUALIFIED TO DO SO!**

- Fixture **MUST** be installed following all local, national, and country commercial electrical and construction codes and regulations.
- Before rigging/mounting a single fixture or multiple fixtures to any metal truss/structure or placing the fixture(s) on any surface, a professional equipment installer **MUST** be consulted to determine whether the metal truss/structure or surface is properly certified to safely hold the combined weight of the fixture(s), clamps, cables, and accessories.
- Maximum fixture ambient operating temperature is 113°F (45°C). Do not use operate the fixture when ambient temperature exceeds this value!
- Fixture(s) should be installed outside walking paths, seating areas, or areas were unauthorized personnel might reach the fixture by hand.
- **NEVER** stand directly below the fixture(s) when rigging, removing, or servicing.
- Overhead fixture installation must always be secured with a secondary safety attachment, such as an appropriately rated safety cable.
- Allow approximately 60 minutes for the fixture to cool down before servicing.

## **IP RATING**

**This device is IP20 rated. This means that the unit is protected against ingress of solids larger than 12.5mm, such as an adult finger. Please note the unit is NOT PROTECTED AGAINST LIQUID INTRUSION OF ANY KIND!**

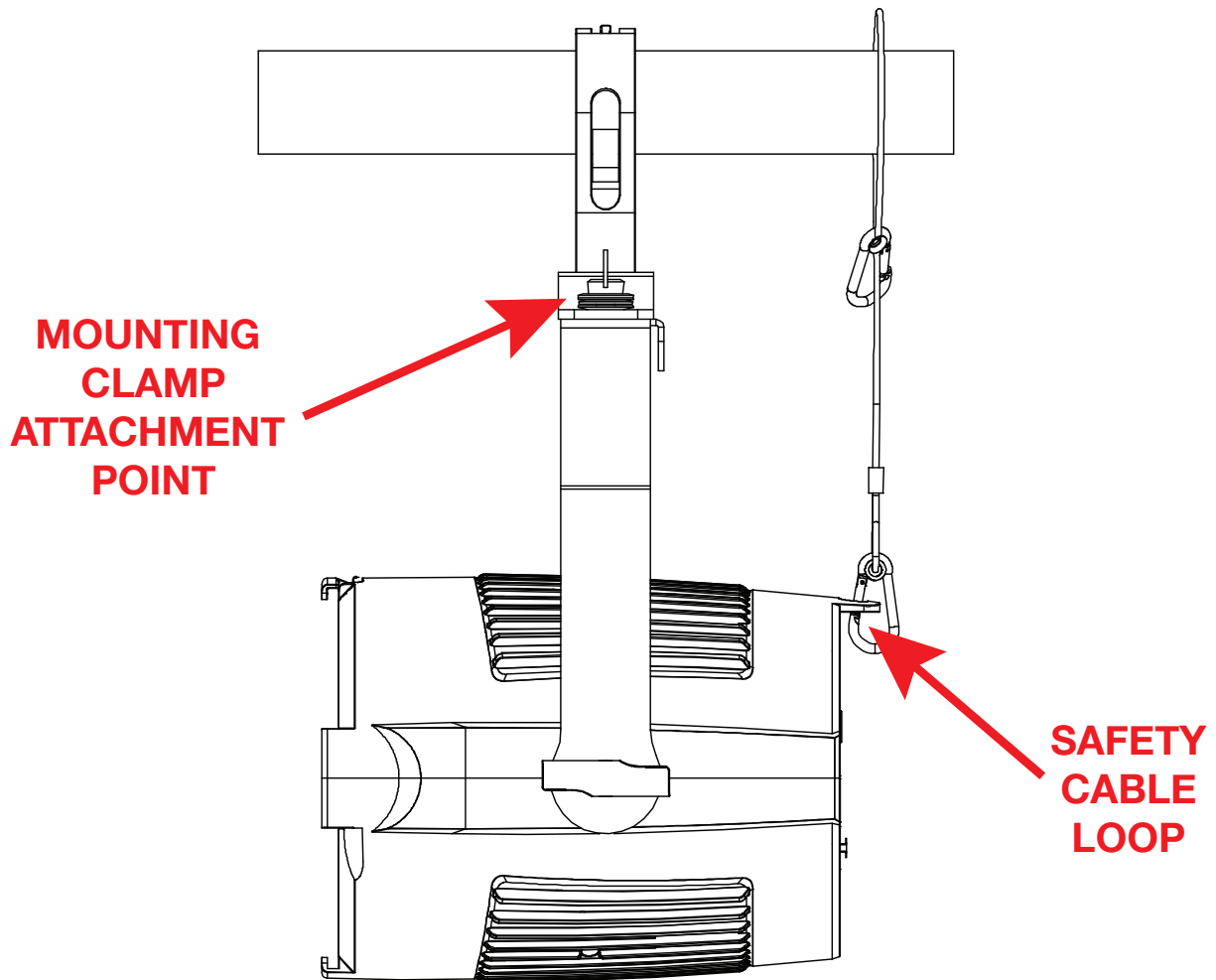
## **RIGGING**

**Overhead rigging requires extensive experience, including calculating working load limits, knowledge about installation materials being used, and periodic safety inspection of all installation material and the fixture, among other skills. If you lack these qualifications, do not attempt the installation yourself. Improper installation can result in bodily injury.**

# INSTALLATION

## CLAMP INSTALLATION

This fixture features a mounting point on top of the bracket for the attachment of a mounting clamp. There is also a loop for the attachment of a safety cable located on the rear panel of the fixture, near the display screen (see the illustration below). When mounting the fixture to a truss or any other suspended or overhead installation, be sure to secure an appropriately rated clamp (not included) to the bracket, and attach a separate SAFETY CABLE of the appropriate weight rating to the safety cable loop.

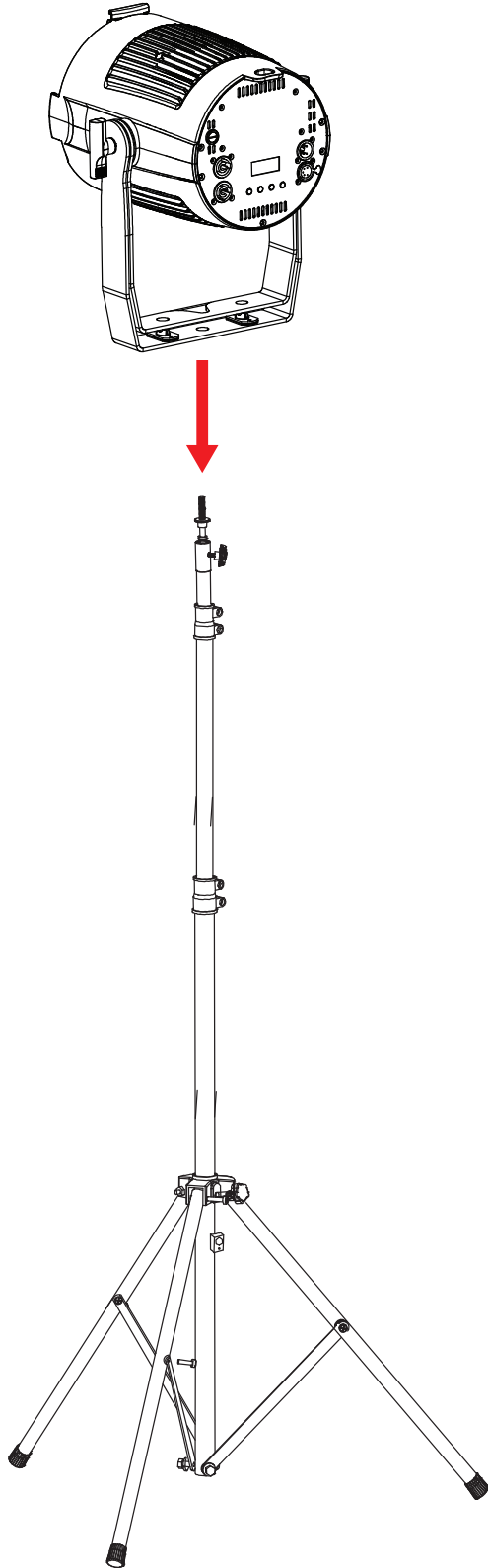


**SAFETY CABLE:**  
ALWAYS ATTACH A SAFETY CABLE WHENEVER  
INSTALLING THIS FIXTURE IN A SUSPENDED  
ENVIRONMENT TO ENSURE THAT THE  
FIXTURE WILL NOT FALL IF THE CLAMP FAILS.

# INSTALLATION

## STAND MOUNTING

This unit can also be installed atop a tripod stand. Simply insert the threaded bolt on the top of the tripod stand through the hole in the top of the mounting yoke. Tighten the nut onto the threaded bolt to secure the mounted device in place.



**CAUTION!**

**MAKE SURE THAT THE TRIPOD LEGS AND ALL TELESCOPING ELEMENTS OF THE TRIPOD STAND ARE LOCKED IN PLACE BEFORE INSTALLING THE DEVICE ATOP THE STAND!**

**POSITION THE TRIPOD STAND AND MOUNTED DEVICE ONLY ON FLAT, STABLE SURFACES! DEPLOY TRIPOD LEGS FULLY IN ORDER TO MAXIMIZE STABILITY!**

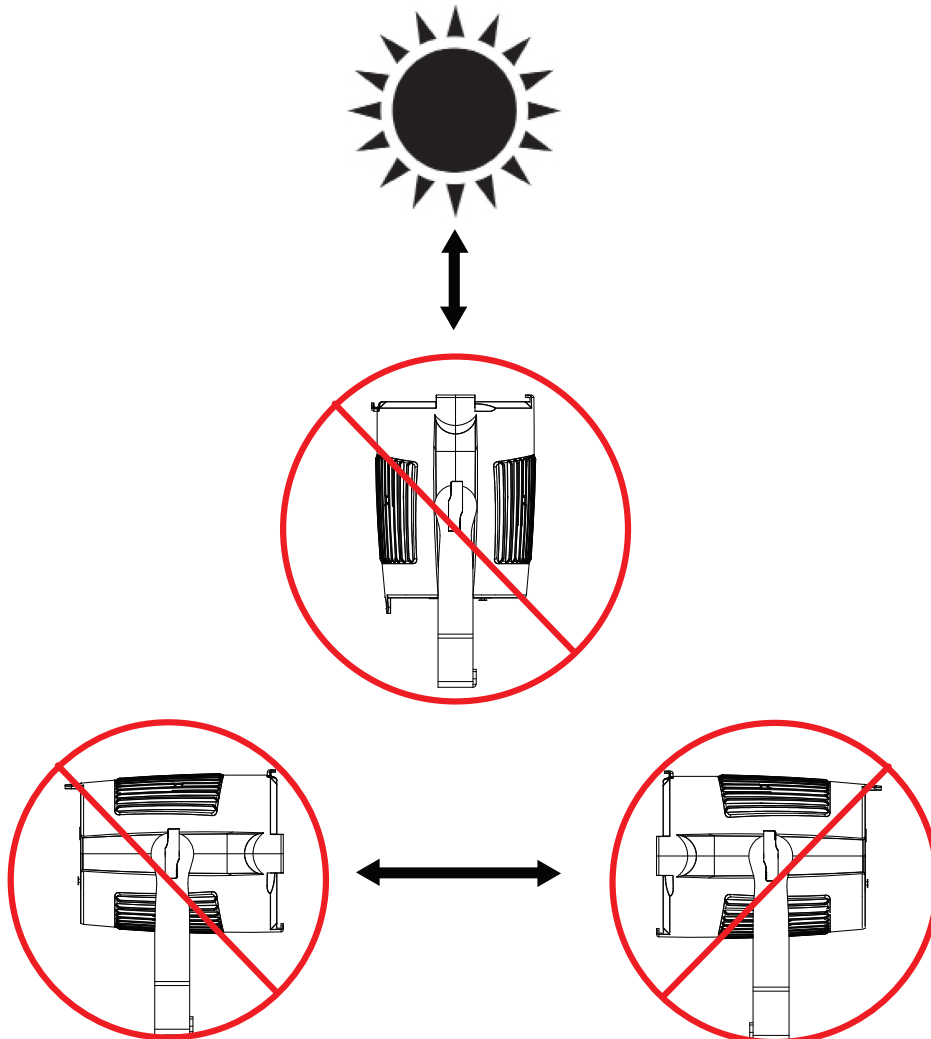
# INSTALLATION

## POTENTIAL INTERNAL FIXTURE DAMAGE FROM EXTERNAL SOURCES OF LIGHT BEAMS

External sources of light beams from direct sunlight, lighting moving head fixtures, and lasers which are focused directly towards the exterior housing and/or penetrate the front lens opening of ADJ lighting fixtures can cause severe internal damage, including burning of optics, dichroic color filters, glass and metal gobos, prisms, animation wheels, frost filters, irises, shutters, motors, belts, wiring, discharge lamps, and LEDs.

This issue is not unique to ADJ lighting fixtures, but rather it is a common issue with lighting fixtures from all manufacturers. Although there is no true way to completely prevent this issue from happening, the guidelines below can reduce the risk of any potential damage if followed. Contact ADJ Service for more details.

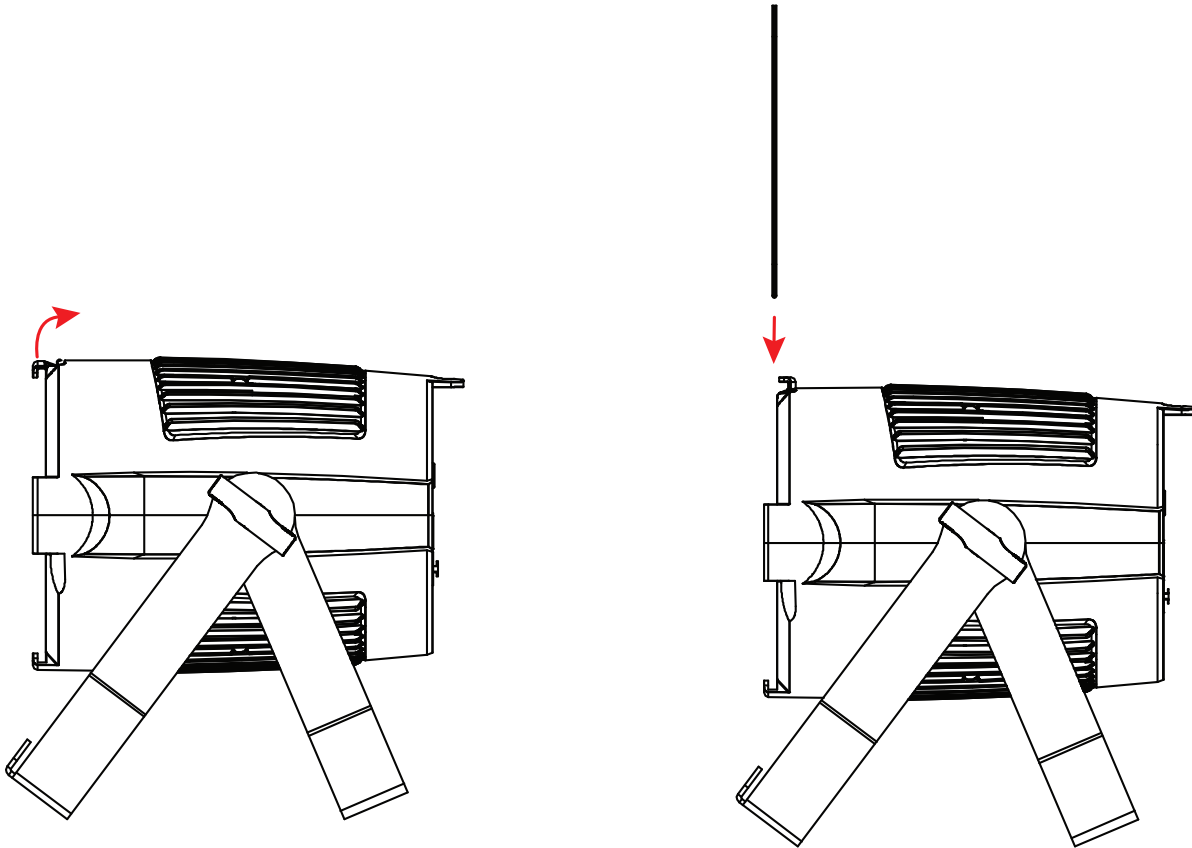
**DO NOT EXPOSE THE FIXTURE AND/OR FRONT LENS OPENING TO LIGHT BEAMS FROM DIRECT SUNLIGHT, OTHER LIGHTING OR MOVING HEAD FIXTURES, AND LASERS DURING UNPACKING, INSTALLATION, USE, AND EXTENDED IDLE TIMES OUTDOORS. DO NOT FOCUS A LIGHT BEAM FROM ONE LIGHTING FIXTURE DIRECTLY TOWARDS ANOTHER.**



# INSTALLATION

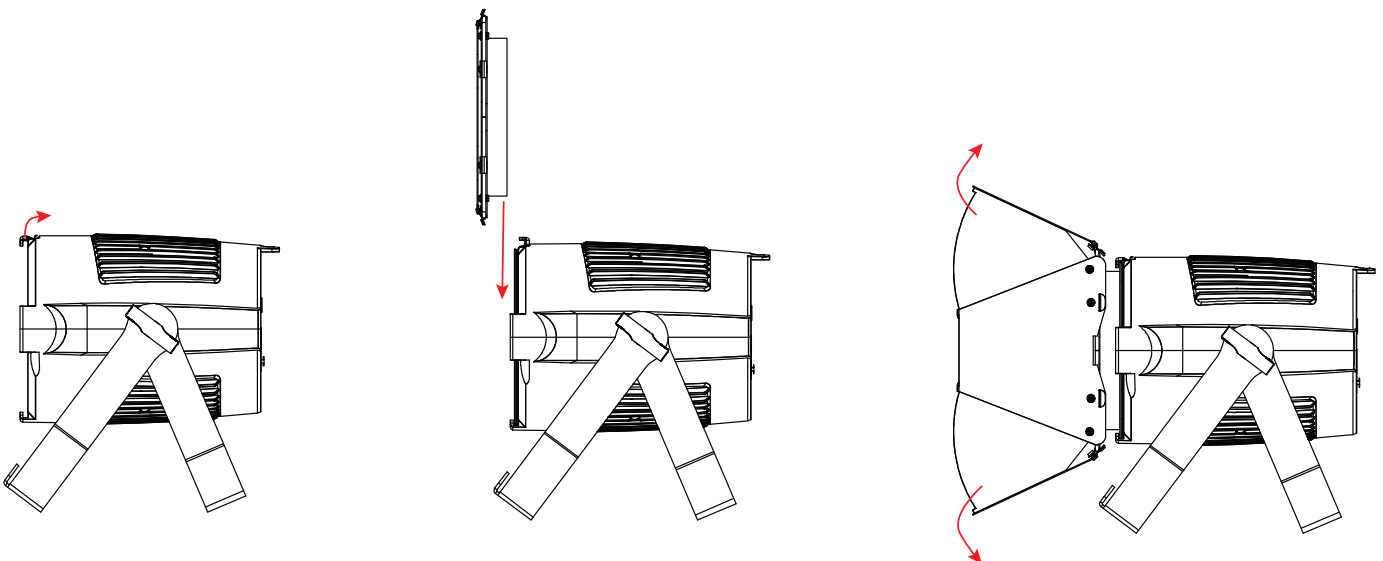
## ACCESSORY INSTALLATION: GEL FRAME

In order to install the included gel frame, find the latch located at the top of the lens frame. Open the latch by flipping it upwards, as shown in the below left image, then slide the gel frame into the slot in front of the lens, as shown in the below right image. Close the latch to secure the gel frame in place.



## ACCESSORY INSTALLATION: BARNDOOR

In order to install the optional barndoor, find the latch located at the top of the lens frame. Open the latch by flipping it upwards, as shown in the below left image, then slide the barndoor into the slot in front of the lens, as shown in the below center image. Close the latch to secure the gel frame in place, then open the barndoor flaps by pulling outward, as shown in the below right image.



# REMOTE DEVICE MANAGEMENT (RDM)

**NOTE: In order for RDM to work properly, RDM enabled equipment must be used throughout the entire system, including DMX data splitters and wireless systems.**

Remote Device Management (RDM) is a protocol that sits on top of the DMX512 data standard for lighting, and allows the DMX systems of the fixtures to be modified and monitored remotely. This protocol is ideal for instances in which a unit is installed in a location that is not easily accessible.

With RDM, the DMX512 system becomes bi-directional, allowing a compatible RDM enabled controller to send out a signal to devices on the wire, as well as allowing the fixture to respond (known as a GET command). The controller can then use its SET command to modify settings that would typically have to be changed or viewed directly via the unit's display screen, including the DMX Address, DMX Channel Mode, and Temperature Sensors.

## FIXTURE RDM INFORMATION:

Device ID	Device Model ID	RDM Code	Personality ID
002A-FFFF	42	0X1900	001 6CH (6) 002 9CH (9) 003 10CH (10) 004 12CH (12) 005 15CH (15) 006 18CH (18)

Please be aware that **not all RDM devices support all RDM features**, and therefore it is important to check beforehand to ensure that the equipment that you are considering includes all of the features that you require.

The following parameters are accessible in RDM on this device:

[0x0011] Proxied Device Count	[0x0032] Clear Status ID	[0x0603] Realtime Clock
[0x0200] Sensor Definition	[0x0401] Lamp Hours	[0x1010] Power State
[0x0201] Sensor Value	[0x0402] Lamp Strikes	[0x1031] Preset Playback
[0x0080] Device Model Description	[0x0403] Lamp State	[0x0122] Default Slot Value
[0x0081] Manufacturer Label	[0x0404] Lamp Mode	[0x00B0] Language
[0x0082] Device Label	[0x0405] Device Power Cycles	[0x00A0] Language Capabilities
[0x00E0] DMX Personality	[0x0600] Pan Invert	[0x00C2] Boot Software Version Label
[0x00E1] DMX Personality Description	[0x0601] Tilt Invert	[0x00C1] Boot Software Version ID
[0x0400] Device Hours	[0x0602] Pan Tilt Swap	[0x0070] Product Detail ID List
[0x0015] Comms Status	[0x0500] Display Invert	[0x0030] Status Messages
[0x0031] Status ID Description	[0x0501] Display Level	

# WIFLY CONTROL

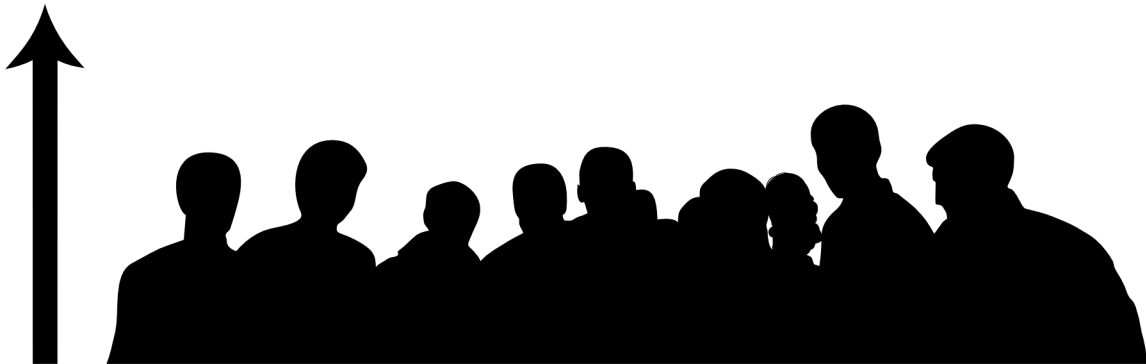
## WIRELESS SETUP

There are many factors that can affect and/or interrupt a wireless signal, including walls, glass, metal, objects, and people. Therefore, the following guidelines are recommended in order to maximize the chances of having a clear path for the wireless signal to reach the device:

- Install the device a minimum of 9.8 ft (3m) above audiences and/or ground level.
- Arrange the wireless antenna in an upright, vertical position.
- Position devices in direct line of sight of the transmitting controller.

Careful planning and testing of the selected installation location is critical in order to ensure optimized, reliable wireless operation.

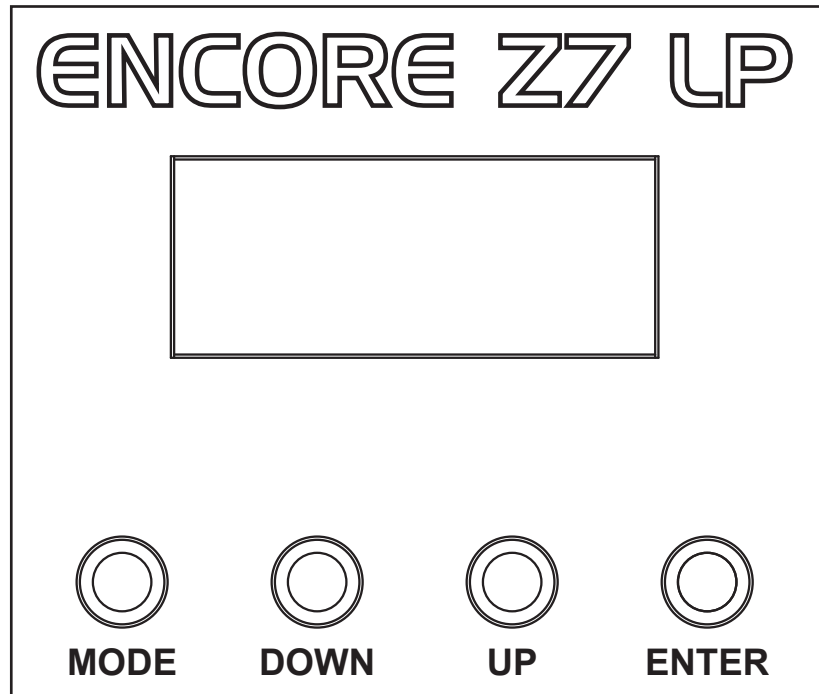
**9.8 ft (3m)  
Above Ground**



# SYSTEM MENU

The fixture includes an easy to navigate system menu control panel display where all necessary settings and adjustments are made. (See image below)

- **MODE:** Cycles through the main menu options and/or return to previous menu without making changes.
- **DOWN/UP:** Scroll through options in the selected menu.
- **ENTER:** Select highlighted option and/or confirm selection.



## DISPLAY SCREEN LOCK

When the Display Lock setting is set to 1~10min, the display screen will automatically lock if there is no activity for the specified length of time. To unlock the display screen, simply press and hold the **MODE** button for 3 seconds.

Alternately, when the Display Lock setting is set to OFF, the display screen will never automatically lock. However, it can still be manually locked by pressing and holding the **MODE** button for 2 seconds. To unlock, press and hold the **MODE** button for 3 seconds.



# SYSTEM MENU

Default setting shown in <b>bold</b>				
MAIN MENU	OPTIONS / VALUES (Default Settings in <b>BOLD</b> )		DESCRIPTION	
<b>DMX Set</b>	Address	<b>001</b> - 512	Sets starting DMX address	
	Ch. Mode	9ch, 10ch, <b>12ch</b> , 15ch, 15ch, 18ch	Sets DMX Channel Mode	
	No DMX	<b>Hold</b> , Blackout, Manual, Int.Prog	Select setting for DMX signal loss	
<b>Personality</b>	Prim/Sec Mode	Primary / <b>Secondary</b>	Select for primary fixture, otherwise all units are set to secondary by default.	
	Select Signal	DMX or Wifly		Red LED indicates DMX signal, Green LED indicates Wifly is connected.
		Wifly and DMX Out		Green LED indicator lights & DMX signal out
	Wifly Settings	Wifly Enable	<b>ON/OFF</b>	With Wifly enabled and connected, signal strength bar displays, and green LED indicator lights. Disabled Wifly has no LED indication.
		Set Wifly channel	00~14	When Wifly is enabled and connected, a Wifly signal strength indicator bar shall be displayed. When Wifly is enabled and connected, a green LED indicator should be on solid. When Wifly is disabled, there shall be no LED indicator on or visible.
	Fan Set	<b>Auto</b> , High, Silent		
	Dim Mode	<b>Standard</b> , Stage, TV, Archi., Theatre, Stage 2		Preset dim modes (see Dim Modes diagram).
		DimSpeed	0.1S~10s	Set dim delay from 0.1s to 10s
	Zoom Mode	<b>Mode 1</b>		When zoom Mode 1 is selected, the zoom speed travels as fast as possible.
		Mode 2		When Zoom Mode 2 is selected, the zoom speed is slower than Mode 1, but the noise is minimal.
	Dim Curve	<b>Square</b> , Linear, Inv.Squa, S.Curve		
	LEDRfrsh	900, 1000, 1100, <b>1200</b> , 1300, 1400, 1500, 2500, 4000, 5000, 10k, 15k, 20k, 25k		Default Refresh Rate setting shall be 1200Hz.
	Display	SaveDlay	<b>1-10</b>	
		Lock	<b>OFF</b> , 1M, 2M, ..., 10M	Touch screen locks after 30 seconds. Default setting is 30 seconds. Optional settings from 1M to 10M.
	Service	Passcode	Calibrat	Red 000-255 Green 000-255 Blue 000-255 Lime 000-255
Restore			YES / NO	Enter Passcode ( <b>011</b> ) to reset fixture to factory default settings.
<b>Manual</b>	Red	000-255		Color Macros (RGB, RGBW and RGBA color macros) should take priority over all manual RGBWA settings. RGB, RGBW and RGBA color macros hold when no DMX signal is present, including after a power cycle. Manual control settings hold when no DMX signal is present, including after a power cycle.
	Blue	000-255		
	Green	000-255		
	Lime	000-255		
	ClrMacro	000-64		
	ClrTemp	000-255		
	ClrTeMac	000-255		
	Strobe	000-255		
	MastrDim	000-255		
	ZoomLine	000-255		
	ZoomPres	000-255		
	AutoProg	000-255		
	ProgSpd	000-255		
	ProgFade	000-255		

# SYSTEM MENU

Default setting shown in <b>bold</b>				
MAIN MENU	OPTIONS / VALUES (Default Settings in <b>BOLD</b> )		DESCRIPTION	
<b>IntProgs</b>	Prog 0	Speed	000-255	Runs set program based on Speed setting or Fade setting from 000 (slowest) to 255 (fastest) unless the Sound function is set to ON, which takes priority. Program 0 randomly cycle through all available programs, automatically schanging every 30 to 45 seconds.
		Fade	000-255	
	Prog 1	Speed	000-255	
		Fade	000-255	
	Prog 2	Speed	000-255	
		Fade	000-255	
	Prog 3	Speed	000-255	
		Fade	000-255	
	...	000-255		
Prog 7	Speed	000-255		
	Fade	000-255		
<b>Info.</b>	Hours	PwrOnHr1	xxxxxx Hours	Total hours fixture powered ON. Cannot be reset.
		PwrOnHr2	xxxxxx Hours	Current # of hours fixture has been powered ON since last reset. Can be reset back to zero by user.
		PwrOnRst	Passcode	Enter Passcode ( <b>050</b> ) to reset Power On Time
	Temp.	xxx°	xxx F / xxx C	Select between Farenheit and Celsius
		MaxTemp1	xxx F / xxx C	Current maximum temperature, since last reset. Can be reset as needed by user.
		MaxTemp2	xxx F / xxx C	All time maximum temperature. Cannot be reset.
		TempRst.	YES / <b>NO</b>	Enter Passcode ( <b>050</b> ) reset LED Temperature data
	FanInfo.	Fan1RPM	xxxx	Displays current fan RPM.
		Fan2RPM	xxxx	Displays current fan RPM.
	DMXValue	Red		Displays current DMX value for channel.
		Green		
...				
AutoProg				
SoftVers	x.xx		Displays current software version for all pcb's.	

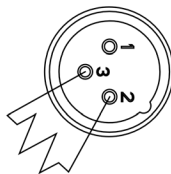
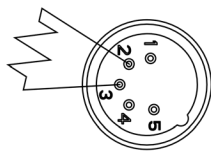
# DMX SETUP

DMX-512: DMX is short for Digital Multiplex. This is a universal protocol used as a form of communication between intelligent fixtures and controllers. A DMX controller sends DMX data instructions from the controller to the fixture. DMX data is sent as serial data that travels from fixture to fixture via the DATA “IN” and DATA “OUT” XLR terminals located on all DMX fixtures (most controllers only have a DATA “OUT” terminal).

DMX Linking: DMX is a language allowing all makes and models of different manufacturers to be linked together and operate from a single controller, as long as all fixtures and the controller are DMX compliant. To ensure proper DMX data transmission, try to use the shortest cable path possible when using several DMX fixtures. The order in which fixtures are connected in a DMX line does not influence the DMX addressing. For example, a fixture assigned a DMX address of 1 may be placed anywhere in a DMX line: at the beginning, at the end, or anywhere in the middle. When a fixture is assigned a DMX address of 1, the DMX controller knows to send DATA assigned to address 1 to that unit, no matter where it is located in the DMX chain.

Data Cable (DMX Cable) Requirements (For DMX Operation):The Encore Z7LP can be controlled via DMX-512 protocol, and features multiple DMX channel modes. Your unit and your DMX controller require a 3-pin XLR connector for data input and data output. If you are making your own cables, be sure to use standard 110-120 Ohm shielded cable (This cable may be purchased at almost all professional lighting stores). Your cables should be made with a male XLR connector at one end and a female XLR connector at the other. Also remember that DMX cable must be daisy chained and cannot be split.

Special Note: Line Termination. When longer runs of cable are used, you may need to use a terminator on the last unit to avoid erratic behavior. A terminator is a 110-120 ohm 1/4 watt resistor which is connected between pins 2 and 3 of a male XLR connector (DATA + and DATA -). This unit is inserted in the female XLR connector of the last unit in your daisy chain to terminate the line. Using a cable terminator (ADJ part number Z-DMX/T) will decrease the chances of erratic behavior.



A DMX512 terminator reduces signal errors, avoiding most signal reflection interference. Connect PIN 2 (DMX-) and PIN 3 (DMX+) of the last fixture in series with a 120 Ohm, 1/4 W Resistor to terminate the DMX512.

# DMX SETUP

5-Pin XLR DMX Connectors. Some manufacturers use 5-pin DMX-512 data cables for DATA transmission in place of 3-pin. 5-pin DMX fixtures may be implemented in a 3-pin line by using a cable adaptor. These adapters are readily available at most electronics stores. The chart below details a proper cable conversion.

<b>3-Pin XLR to 5-Pin XLR Conversion</b>		
Conductor	3-Pin XLR Female (Out)	5-Pin XLR Male (In)
Ground/Shield	Pin 1	Pin 1
Data Compliment (- signal)	Pin 2	Pin 2
Data True (+ signal)	Pin 3	Pin 3
Not Used		Do Not Use
Not Used		Do Not Use

## DMX ADDRESSING

All fixtures should be given a DMX starting address when operating with a DMX controller, in order to ensure that the correct fixture responds to the correct control signal. This digital starting address is the channel number from which the fixture starts to “listen” to the digital control signal sent out from the DMX controller. The starting DMX address is configured by setting the correct DMX address on the control panel display on the fixture.

You can set the same starting address for multiple fixtures, or set different addresses for each individual fixture. Setting multiple fixtures to the same DMX address will cause all those fixtures to react in the same way. In this case, please note that changing the settings of one channel will affect all the fixtures simultaneously.

If you set each fixture to a different DMX address, each unit will start to “listen” to the channel number you have set, based on the quantity of DMX channels of each fixture. That means changing the settings of one channel will only affect the selected fixture.

As an example, when operating this device in 6 channel mode, you should set the starting DMX address of the first unit to 1, the second unit to 7 (1 + 6), the third unit to 13 (1 + 6 + 6), and so on. (See the chart below for more details.)

Channel Mode	Unit 1 Address	Unit 2 Address	Unit 3 Address	Unit 4 Address
<b>6 Channels</b>	1	7	13	19
<b>9 Channels</b>	1	10	19	28
<b>10 Channels</b>	1	11	21	31
<b>12 Channels</b>	1	13	25	37
<b>15 Channels</b>	1	16	31	46
<b>18 Channels</b>	1	19	37	55

# DMX TRAITS

CHANNEL						DMX VALUE	FUNCTION
6CH	9CH	10CH	12CH	15CH	18CH		
1	1	1	1	1	1	000-255	<b>Red</b> 0~100%
		2				000-255	<b>Red Fine 16-bit</b>
2	2	3	2	2	2	000-255	<b>Green</b> 0~100%
		4				000-255	<b>Green Fine 16-bit</b>
3	3	5	3	3	3	000-255	<b>Blue</b> 0~100%
		6				000-255	<b>Blue Fine 16-bit</b>
4	4	7	4	4	4	000-255	<b>Lime</b> 0~100%
		8				000-255	<b>Lime Fine 16-bit</b>
			5	5	5	000-255	<b>Color Macros</b>
			6	6	6	000-255	<b>Color Temperature, 2700K to 6500K linear</b> 0~100%
							<b>Color Temperature Macros</b>
						000	Off
			7	7	7	001-054	2700K
						055-109	3200K
						110-164	4000K
						165-219	5600K
						220-255	6500K
							<b>Shutter, Strobe</b>
						00 -031	Led's Off
						032-063	Led's On
						064-095	Strobe effect slow to fast
						096-127	Led's On
						128-159	Pulse-effect in sequences
						160-191	Led's On
						192-223	Random strobe effect slow to fast
						224-255	Led's On
	5		8	8	8	000-255	<b>Dimmer Intensity</b> , 0% to 100%
						000-255	<b>Dimmer Fine 16-bit</b>
	6		9	9	9	000-255	<b>Zoom Linear</b> , minimum to maximum beam angle
	7		10	10	10	000-255	<b>Zoom Presets</b>
5	8	9	11	11	11	000-255	<b>Zoom Presets</b>
						000-020	Normal (5°)
						021-040	Very Narrow Spot (6°)
						041-060	Narrow (10°)
						061-080	Medium Flood (30°)
						081-100	Wide Flood (40°)
						101-255	Very Wide Flood (50°)
							<b>Auto programs:</b>
						000-031	Off
						032-063	Auto Program 1
						064-095	Auto Program 2
						096-127	Auto Program 3
						128-159	Auto Program 4
						160-191	Auto Program 5
						192-223	Auto Program 6
						224-255	Auto Program 7
					14	000-255	<b>Auto Programs Speed:</b> Slow to Fast speed
					15	000-255	<b>Auto Programs Fade:</b> Min. to Max.

# DMX TRAITS

CHANNEL						DMX VALUE	FUNCTION		
6CH	9CH	10CH	12CH	15CH	18CH				
				13	16		<b>Dim Mode</b>		
								0-20	Default to Unit Setting
								21-40	Standard
								41-60	Stage
								61-80	TV
								81-100	Architectural
								101-120	Theatre
								121-140	Stage 2
								141-160	Dim Speed from Fast to Slow (0.1-10s)
								161-255	Default to Unit Setting
				14	17		<b>Dim Curves</b>		
								0-20	Square
								21-40	Linear
								41-60	Inv. Squa
								61-80	S. Curve
						81-255	No Function		
				15	18		<b>Refresh Rates</b>		
								0-15	Default to Unit Setting
								16-30	900HZ
								31-45	1000HZ
								46-60	1100HZ
								61-75	1200HZ
								76-90	1300HZ
								91-105	1400HZ
								106-120	1500HZ
								121-135	2500HZ
								136-150	4000HZ
								151-165	5000HZ
								166-180	10000HZ
								181-195	15000HZ
								196-210	20000HZ
						211-225	25000HZ		
						226-229	Enable Zoom Mode 1 (Hold 3s)		
						230-233	Enable Zoom Mode 2 (Hold 3s)		
						234-255	No Function		

# COLOR MACROS CHART

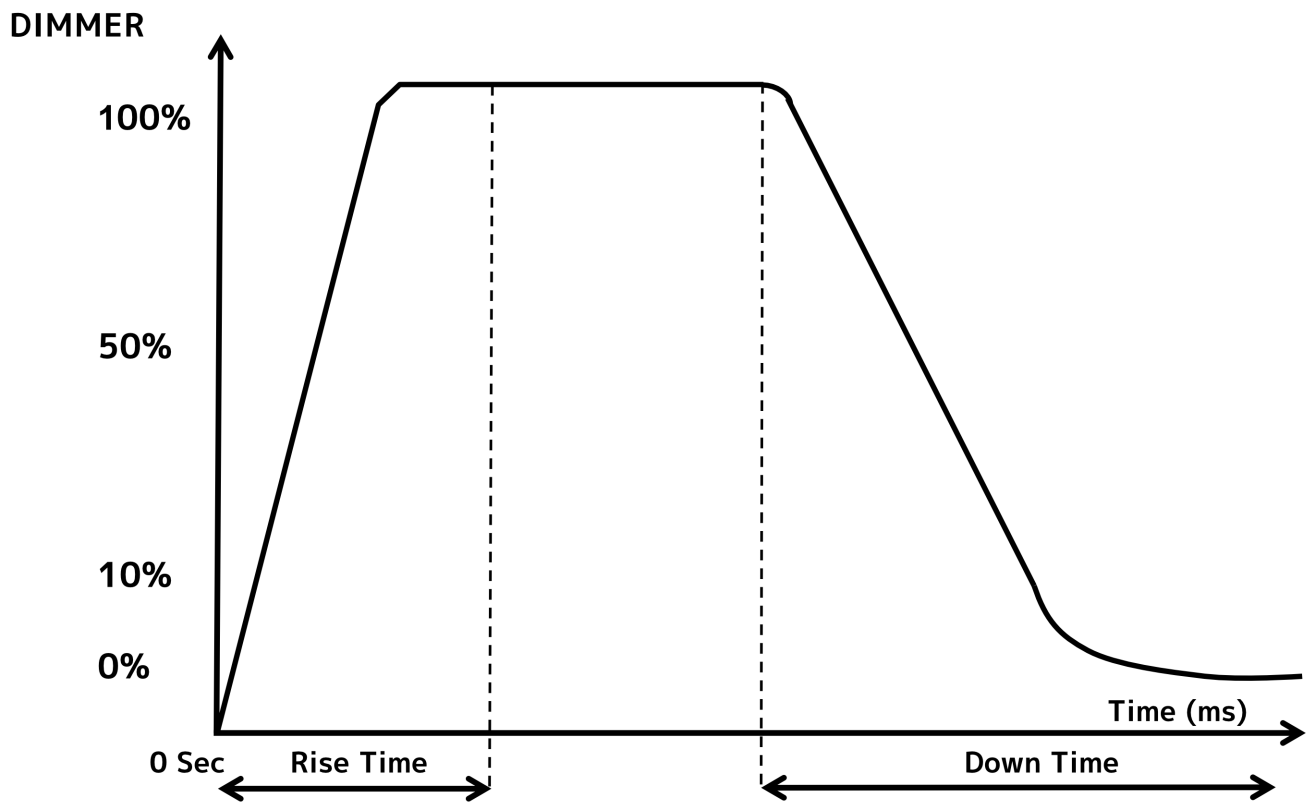
Color	DMX Value	RGBW COLOR INTENSITY				Color	DMX Value	RGBW COLOR INTENSITY			
		RED	GREEN	BLUE	W/A			RED	GREEN	BLUE	WHITE
Off	0	0	0	0	0	Color Macro 33	129-132	255	206	143	0
Color Macro 1	1-4	80	255	234	80	Color Macro 34	133-136	254	177	153	0
Color Macro 2	5-8	80	255	164	80	Color Macro 35	137-140	254	192	138	0
Color Macro 3	9-12	77	255	112	77	Color Macro 36	141-144	254	165	98	0
Color Macro 4	13-16	117	255	83	83	Color Macro 37	145-148	254	121	0	0
Color Macro 5	17-20	160	255	77	77	Color Macro 38	149-152	176	17	0	0
Color Macro 6	21-24	223	255	83	83	Color Macro 39	153-156	96	0	11	0
Color Macro 7	25-28	255	243	77	77	Color Macro 40	157-160	234	139	171	0
Color Macro 8	29-32	255	200	74	74	Color Macro 41	161-164	224	5	97	0
Color Macro 9	33-36	255	166	77	77	Color Macro 42	165-168	175	77	173	0
Color Macro 10	37-40	255	125	74	74	Color Macro 43	169-172	119	130	199	0
Color Macro 11	41-44	255	97	77	71	Color Macro 44	173-176	147	164	212	0
Color Macro 12	45-48	255	74	77	71	Color Macro 45	177-180	88	2	163	0
Color Macro 13	49-52	255	83	134	83	Color Macro 46	181-184	0	38	86	0
Color Macro 14	53-56	255	93	182	93	Color Macro 47	185-188	0	142	208	0
Color Macro 15	57-60	255	96	236	96	Color Macro 48	189-192	52	148	209	0
Color Macro 16	61-64	238	93	255	93	Color Macro 49	193-196	1	134	204	0
Color Macro 17	65-68	163	87	255	87	Color Macro 50	197-200	0	145	212	0
Color Macro 18	69-72	150	90	255	90	Color Macro 51	201-204	0	121	192	0
Color Macro 19	73-76	100	77	255	77	Color Macro 52	205-208	0	129	184	0
Color Macro 20	77-80	77	100	255	77	Color Macro 53	209-212	0	83	115	0
Color Macro 21	81-84	67	148	255	67	Color Macro 54	213-216	0	97	166	0
Color Macro 22	85-88	77	195	255	77	Color Macro 55	217-220	1	100	167	0
Color Macro 23	89-92	77	234	255	77	Color Macro 56	221-224	0	40	86	0
Color Macro 24	93-96	158	255	144	144	Color Macro 57	225-228	209	219	182	0
Color Macro 25	97-100	255	251	153	153	Color Macro 58	229-232	42	165	85	0
Color Macro 26	101-104	255	175	147	147	Color Macro 59	233-236	0	46	35	0
Color Macro 27	105-108	255	138	186	138	Color Macro 60	237-240	8	107	222	0
Color Macro 28	109-112	255	147	251	147	Color Macro 61	241-244	255	0	0	0
Color Macro 29	113-116	151	135	255	138	Color Macro 62	245-248	0	255	0	0
Color Macro 30	117-120	99	0	255	100	Color Macro 63	249-252	0	0	255	0
Color Macro 31	121-124	138	169	255	138	Color Macro 64	253-255	0	0	0	255
Color Macro 32	128-128	255	255	255	255						

# DIMMER SPEEDS

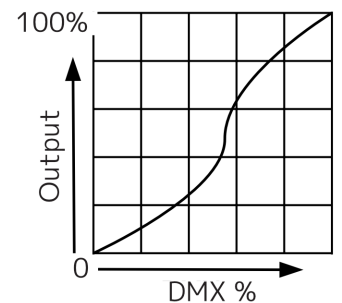
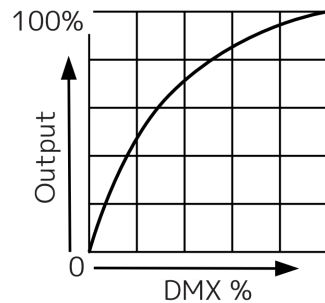
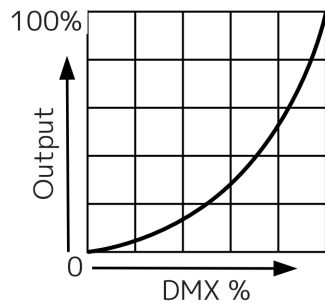
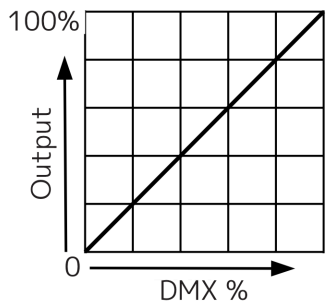
<b>DMX VALUE</b>	<b>DELAY TIME</b>
141	0.1 s
142	0.2 s
143	0.3 s
144	0.4 s
145	0.5 s
146	0.6 s
147	0.7 s
148	0.8 s
149	0.9 s
150	1.0 s
151	1.5 s
152	2.0 s
153	3.0 s
154	4.0 s
155	5.0 s
156	6.0 s
157	7.0 s
158	8.0 s
159	9.0 s
160	10.0 s



# DIMMER MODES



Dimming Curve Ramp Effect	0 sec Fade Time		1 sec Fade Time	
	Rise Time (ms)	Down Time (ms)	Rise Time (ms)	Down Time (ms)
Standard (default)	0	0	0	0
Stage	780	1100	1540	1660
TV	1180	1520	1860	1940
Architectural	1380	1730	2040	2120
Theatre	1580	1940	2230	2280



## DAISY CHAIN POWER LINKING

These units have the capability to be daisy chained together via the power in/out ports. **The maximum number of units that can be linked together in this manner is as follows:**

- 10 units maximum when running on 120V power.
- 20 units maximum when running on 220V power.

**DO NOT EXCEED THE NUMBER OF UNITS LISTED ABOVE.**

**DO NOT MIX MAKE AND MODEL TYPES WHEN DAISY CHAINING!** All units that are connected in this manner must be of the same make and model type.

### CLEANING AND MAINTENANCE

#### DAISY CHAIN POWER LINKING

These units have the capability to be daisy chained together via the power in/out ports. **The maximum number of units that can be linked together in this manner is as follows:**

- 10 units maximum when running on 120V power.
- 20 units maximum when running on 220V power.

**DO NOT EXCEED THE NUMBER OF UNITS LISTED ABOVE.**

**DO NOT MIX MAKE AND MODEL TYPES WHEN DAISY CHAINING!** All units that are connected in this manner must be of the same make and model type.

## CLEANING & MAINTENANCE

### DISCONNECT POWER BEFORE PERFORMING ANY MAINTENANCE!

#### CLEANING

Frequent cleaning is recommended to ensure proper function, optimized light output, and an extended life. The frequency of cleaning depends on the environment in which the fixture operates: damp, smoky, or particularly dirty environments can cause greater accumulation of dirt on the fixture's optics. Clean the external lens surface periodically with a soft cloth to avoid dirt/debris accumulation.

**NEVER** use alcohol, solvents, or ammonia-based cleaners.

#### MAINTENANCE

Regular inspections are recommended to ensure proper function and extended life. There are no user serviceable parts inside this fixture. Please refer all other service issues to an authorized ADJ service technician. Should you need any spare parts, please order genuine parts from your local ADJ dealer.

Please refer to the following points during routine inspections:

- A detailed electrical check by an approved electrical engineer every three months, to make sure the circuit contacts are in good condition and prevent overheating.
- Be sure all screws and fasteners are securely tightened at all times. Loose screws may fall out during normal operation, resulting in damage or injury as larger parts could fall.
- Check for any deformations on the housing, color lenses, rigging hardware, and rigging points (ceiling, suspension, trussing). Deformations in the housing could allow for dust or liquids to enter into the fixture. Damaged rigging points or unsecured rigging could cause fixture to fall and seriously injure a person(s).
- Electric power supply cables must not show any damage, material fatigue, or sediments.

**NEVER** remove the ground prong from the power cable.

# SPECIFICATIONS

## SOURCE:

- Light Source: 7 x 20-Watt Quad RGBL LEDs (4-IN-1: Red, Green, Blue & Lime)

## PHOTMETRIC DATA:

- CRI: 84
- CRI R9: 76.6
- Lumens: 2500

## EFFECTS:

- 5-50 Degree Motorized Zoom
- Zoom Presets (Very Narrow 6°, Narrow 10°, Medium Flood 30°, Wide Flood 40° and Very Wide Flood 50°)
- Linear Color Temperature Control (2700K to 7000K)
- Preset Color Temperatures (2700K, 3200K, 4000K, 5600K and 6500K)
- 16-Bit Fine Color Control (Red, Green, Blue & Lime)
- 64 built-in Color Macros

## CONTROL / CONNECTIONS:

- 4-button, DMX digital display on rear panel
- 5 Operational modes: Static Color Mode, RGBL Dimmer Mode, Program Mode, Sound Active Mode and DMX Controlled
- Supports RDM (Remote Device Management)
- With Wired Digital Communication Network
- 6 selectable Dimming Modes (Standard, Stage, TV, Architectural, Theatre & Stage 2)
- 4 selectable Dim Curves (Linear, Square Inv. Squa, S-Curve)
- Adjustable Refresh Rate (14 presets from 900 – 25,000Hz)
- Flicker Free operation (No flickering on camera)
- LED pulse and strobe effect
- Electronic Dimming: 0 - 100%
- 6 DMX Modes: 5, 8, 9, 11, 14 & 17-channel
- Quiet fan mode
- WiFLY EXR Wireless DMX built-in (2500 ft. / 700M line of sight)

## CONSTRUCTION:

- All metal construction
- Locking, In/Out Power connectors
- 5-pin, XLR DMX, In/Out sockets
- Scissor Yoke & safety eye

## ELECTRICAL / THERMAL:

- Multi-voltage operation: AC 100-240V, 47/63Hz
- Daisy chain: 10 @ 120V, 20 @ 220V
- Max power: 103W

## DIMENSIONS / WEIGHT:

- Dimensions (LxWxH): 8.3"x11.5"x14.8" / 211.0x292.5x376.0mm
- Weight: 15 lbs. / 6.8 kg.

## APPROVALS / RATINGS:

- cETLus Pending
- IP20

## INCLUDED ACCESSORIES:

- (1) Power Cord
- (1) Safety Cable
- (1) Gel Frame Assembly

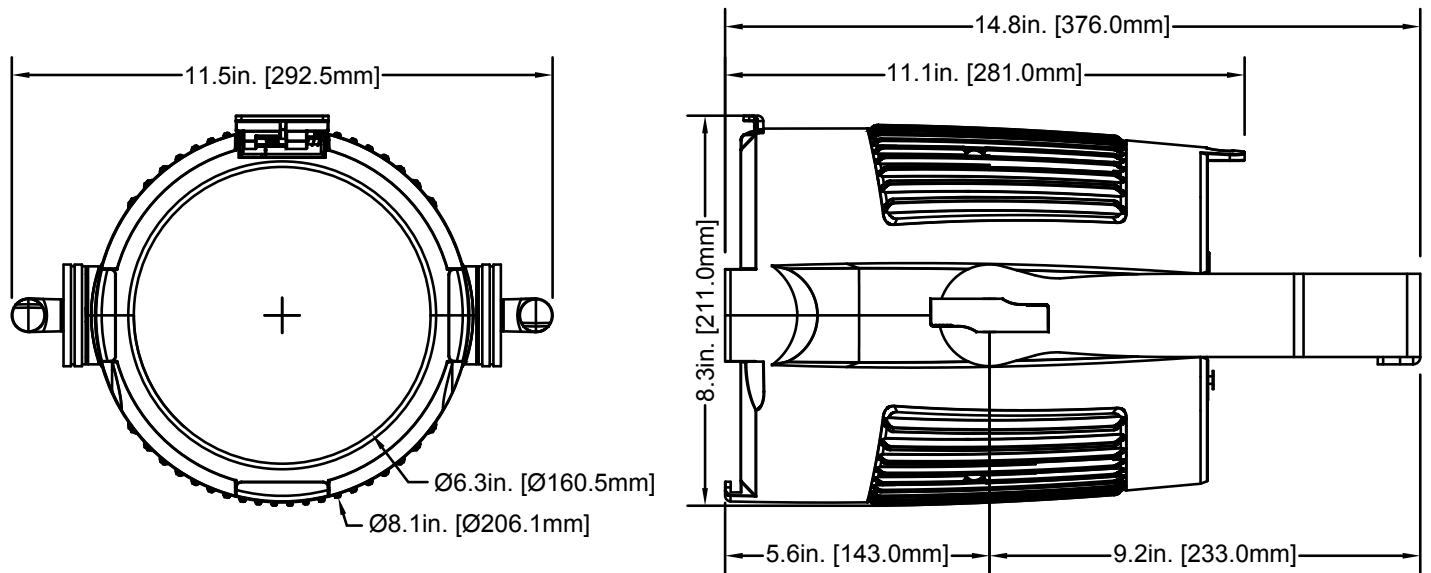
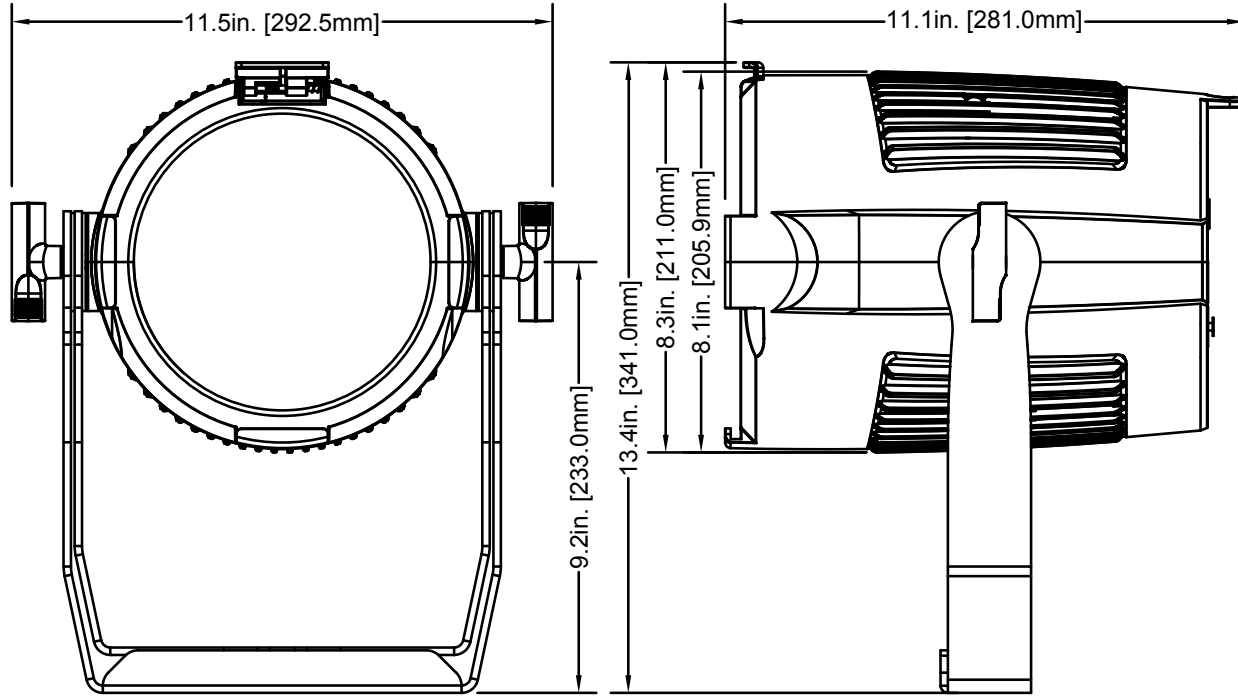
## OPTIONAL ACCESSORIES:

- Omega Bracket
- Barn Door (Model: ELPZ7BDA, Sku: ELP377)

Specifications and manual are subject to improvement without prior written notice.

# DIMENSION DRAWINGS

Dimension drawings not to scale.



## **FCC STATEMENT**

This device complies with Part 15 of the FCC Rules. Operation is subject to the following two conditions: (1) this device may not cause harmful interference, and (2) this device must accept any interference received, including interference that may cause undesired operation.

## **FCC RADIO FREQUENCY INTERFERENCE WARNINGS & INSTRUCTIONS**

This product has been tested and found to comply with the limits as per Part 15 of the FCC Rules. These limits are designed to provide reasonable protection against harmful interference in a residential installation. This device uses and can radiate radio frequency energy and, if not installed and used in accordance with the included instructions, may cause harmful interference to radio communications. However, there is no guarantee that interference will not occur in a particular installation. If this device does cause harmful interference to radio or television reception, which can be determined by turning the device off and on, the user is encouraged to try to correct the interference by one or more of the following methods:

- Reorient or relocate the device.
- Increase the separation between the device and the receiver.
- Connect the device to an electrical outlet on a circuit different from which the radio receiver is connected.
- Consult the dealer or an experienced radio/TV technician for help.

## **Energy Saving Matters (EuP 2009/125/EC)**

Saving electric energy is a key to help protecting the environment. Please turn off all electrical products when they are not in use. To avoid power consumption in idle mode, disconnect all electrical equipment from power when not in use. Thank you!

