



# ENCORE FR PRO WW



**User Manual**

©2022 ADJ Products, LLC all rights reserved. Information, specifications, diagrams, images, and instructions herein are subject to change without notice. ADJ Products, LLC logo and identifying product names and numbers herein are trademarks of ADJ Products, LLC. Copyright protection claimed includes all forms and matters of copyrightable materials and information now allowed by statutory or judicial law or hereinafter granted. Product names used in this document may be trademarks or registered trademarks of their respective companies and are hereby acknowledged. All non-ADJ Products, LLC brands and product names are trademarks or registered trademarks of their respective companies.

**ADJ Products, LLC** and all affiliated companies hereby disclaim any and all liabilities for property, equipment, building, and electrical damages, injuries to any persons, and direct or indirect economic loss associated with the use or reliance of any information contained within this document, and/or as a result of the improper, unsafe, insufficient and negligent assembly, installation, rigging, and operation of this product.

## DOCUMENT VERSION



Due to additional product features and/or enhancements, an updated version of this document may be available online.

Please check [www.adj.com](http://www.adj.com) for the latest revision/update of this manual before beginning installation and/or programming.

Date	Document Version	Software Version	DMX Channels	Notes
04/25/2022	1.0	1.01	2 / 4 / 6 / 8 channels	Initial Release.

Europe Energy Saving Notice

Energy Saving Matters (EuP 2009/125/EC)

Saving electric energy is a key to help protecting the environment. Please turn off all electrical products when they are not in use. To avoid power consumption in idle mode, disconnect all electrical equipment from power when not in use. Thank you!

## TABLE OF CONTENTS

Introduction	4
Limited Warranty (USA Only)	5
Warranty Registration   Features	6
Safety Guidelines	7
Overview	8
Installation	9
Accessory Installation	13
Remote Device Management (RDM)	15
Control Panel	16
System Menu	17
DMX Setup	19
DMX Traits	21
Dim Modes	25
Daisy Chain Power Linking   Cleaning and Maintenance	26
Dimensional Drawings	27
Specifications	29

## INTRODUCTION

**Unpacking:** Thank you for purchasing the Encore FR Pro WW by ADJ Products, LLC. Every device has been thoroughly tested and has been shipped in perfect operating condition. Carefully check the shipping carton for damage that may have occurred during shipping. If the carton appears to have been damaged, carefully inspect your fixture for any damage and be sure all accessories necessary to operate the unit have arrived intact. In the event that damage has been found or parts are missing, please contact our toll free customer support number for further instructions. Do not return this unit to your dealer without first contacting customer support.

**Introduction:** The ADJ Encore FR Pro WW is a professional grade Fresnel fixture. To optimize the performance of this product, please read these operating instructions carefully to familiarize yourself with the basic operations of this unit. These instructions contain important safety information regarding the use and maintenance of this unit. Please keep this manual with the unit for future reference.

**Customer Support:** Contact ADJ Service for any product related service and support needs. Also visit [forums.adj.com](http://forums.adj.com) with questions, comments or suggestions.

**Parts:** To purchase parts online visit:

<http://parts.adj.com> (US)

<http://www.adjparts.eu> (EU)

**ADJ SERVICE USA - Monday - Friday 8:00am to 4:30pm PST**

**Voice: 800-322-6337 | Fax: 323-582-2941 | [support@adj.com](mailto:support@adj.com)**

**ADJ SERVICE EUROPE - Monday - Friday 08:30 to 17:00 CET**

**Voice: +31 45 546 85 60 | Fax: +31 45 546 85 96 | [support@adj.eu](mailto:support@adj.eu)**

### **ADJ PRODUCTS LLC USA**

6122 S. Eastern Ave. Los Angeles, CA. 90040

323-582-2650 | Fax 323-532-2941 | [www.adj.com](http://www.adj.com) | [info@adj.com](mailto:info@adj.com)

### **ADJ SUPPLY Europe B.V**

Junostraat 2 6468 EW Kerkrade, The Netherlands

+31 (0)45 546 85 00 | Fax +31 45 546 85 99

[www.americandj.eu](http://www.americandj.eu) | [info@americandj.eu](mailto:info@americandj.eu)

### **ADJ PRODUCTS GROUP Mexico**

AV Santa Ana 30 Parque Industrial Lerma, Lerma, Mexico 52000

+52 (728) 282-7070

**Warning!** This unit is intended for indoor use only! Do not expose to rain or moisture!

**CAUTION!** There are no user serviceable parts inside this unit. Do not attempt any repairs yourself, as doing so will void your manufacturer's warranty. In the unlikely event your unit may require service, please contact ADJ Products, LLC.

*Do not discard the shipping carton in the trash. Please recycle when ever possible.*

## LIMITED WARRANTY (USA ONLY)

- A. ADJ Products, LLC hereby warrants, to the original purchaser, ADJ Products, LLC products to be free of manufacturing defects in material and workmanship for a prescribed period from the date of purchase (see specific warranty period on reverse). This warranty shall be valid only if the product is purchased within the United States of America, including possessions and territories. It is the owner's responsibility to establish the date and place of purchase by acceptable evidence, at the time service is sought.
- B. For warranty service, you must obtain a Return Authorization number (RA#) before sending the product back—please contact ADJ Products, LLC Service Department at 800-322-6337. Send the product only to the ADJ Products, LLC factory. All shipping charges must be prepaid. If the requested repairs or service (including parts replacement) are within the terms of this warranty, ADJ Products, LLC will pay return shipping charges only to a designated point within the United States. If the entire instrument is sent, it must be shipped in its original package and packaging material. No accessories should be shipped with the product. If any accessories are shipped with the product, ADJ Products, LLC shall incur no liability whatsoever for loss of or damage to any such accessories, nor for the safe return thereof.
- C. This warranty is void if the product serial number and/or labels are altered or removed; if the product is modified in any manner which ADJ Products, LLC concludes, after inspection, affects the reliability of the product; if the product has been repaired or serviced by anyone other than the ADJ Products, LLC factory unless prior written authorization was issued to purchaser by ADJ Products, LLC; if the product is damaged because it was not properly maintained as set forth in the product instructions, guidelines and/or user manual.
- D. This is not a service contract, and this warranty does not include maintenance, cleaning, or periodic checkup. During the period specified above, ADJ Products, LLC will replace defective parts at its expense with new or refurbished parts, and will absorb all expenses for warranty service and repair labor by reason of defects in material or workmanship. The sole responsibility of ADJ Products, LLC under this warranty shall be limited to the repair of the product, or replacement thereof, including parts, at the sole discretion of ADJ Products, LLC. All products covered by this warranty were manufactured after August 15, 2012, and bear identifying marks to that effect.
- E. ADJ Products, LLC reserves the right to make changes in design and/or improvements upon its products without any obligation to include these changes in any products theretofore manufactured.
- F. No warranty, whether expressed or implied, is given or made with respect to any accessory supplied with products described above. Except to the extent prohibited by applicable law, all implied warranties made by ADJ Products, LLC in connection with this product, including warranties of merchantability or fitness, are limited in duration to the warranty period set forth above. And all warranties, whether expressed or implied, including warranties of merchantability or fitness, are limited in duration to the warranty period set forth above. The consumer's and/or dealer's sole remedy shall be such repair or replacement as is expressly provided above; and under no circumstances shall ADJ Product, LLC be liable for any loss and/or damage, direct and/or consequential arising out of the use of, and/or inability to use this product.
- G. This warranty is the only written warranty applicable to ADJ Products, LLC products, and supersedes all prior warranties and written descriptions of warranty terms and conditions heretofore published.

### MANUFACTURER'S LIMITED WARRANTY PERIODS:

- Non-LED Lighting Products = 1-Year (365 Days) (Including Special Effect Lighting, Intelligent Lighting, UV lighting, Strobes, Fog Machines, Bubble Machines, Mirror Balls, Par Cans, Trussing, Lighting Stands, Power/Data Distribution, etc. excluding LED and lamps)
- Laser Products = 1-Year (365 Days) (excluding laser diodes which have a 6-Month Limited Warranty)
- LED Products = 2-Year (730 Days) (excluding batteries which have a 180 Day Limited Warranty)
- NOTE: 2-Year (730 Days) Limited Warranty ONLY applies to product purchased within the United States. StarTec Series = 1-Year (365 Days) (excluding batteries which have a 180 Day Limited Warranty)
- ADJ DMX Controllers = 2 Year (730 Days)
- American Audio Products = 1 Year (365 Days)

## WARRANTY REGISTRATION

The Encore FR Pro WW carries a 2 year limited warranty. Please fill out the enclosed warranty card to validate your purchase. All returned service items, whether under warranty or not, must be freight prepaid and accompanied by a return authorization (R.A.) number. The R.A. number must be clearly written on the outside of the return package. A brief description of the problem as well as the R.A. number must also be written down on a piece of paper included in the shipping carton. If the unit is under warranty, you must provide a copy of your proof of purchase invoice. You may obtain an R.A. number by contacting our customer support team on our customer support number. All packages returned to the service department not displaying an R.A. number on the outside of the package will be returned to the shipper.

## FEATURES

The ADJ Encore FR Pro WW is a professional grade Fresnel fixture with a 7-inch lens powered by a 200W warm white LED engine with a 3200K color temperature. It offers manual zoom, electronic dimming and strobing, and variable 16-bit dimming modes and curves, as well as 4 DMX channel modes and RDM compability.

### INCLUDED ITEMS

- Gel Frame (x1)
- Barndoor
- Locking Power Cable (x1)

### IP RATING

An IP rated lighting fixture has been designed with an enclosure that effectively protects the ingress (entry) of external foreign objects such as dust and/or water. The Ingress Protection (IP) rating system is commonly expressed as “IP” followed by two numbers (i.e. IP20), where the numbers define the degree of protection. The first digit (Foreign Bodies Protection) indicates the extent of protection against particles entering the fixture and the second digit (Water Protection) indicates the extent of protection against water entering the fixture.

**An IP20 rated lighting fixture, such as this one, has been designed and tested to protect against the ingress of solids as small as the size of an adult finger (approximately 12.5mm), but is NOT protected against liquid intrusion of any kind.**

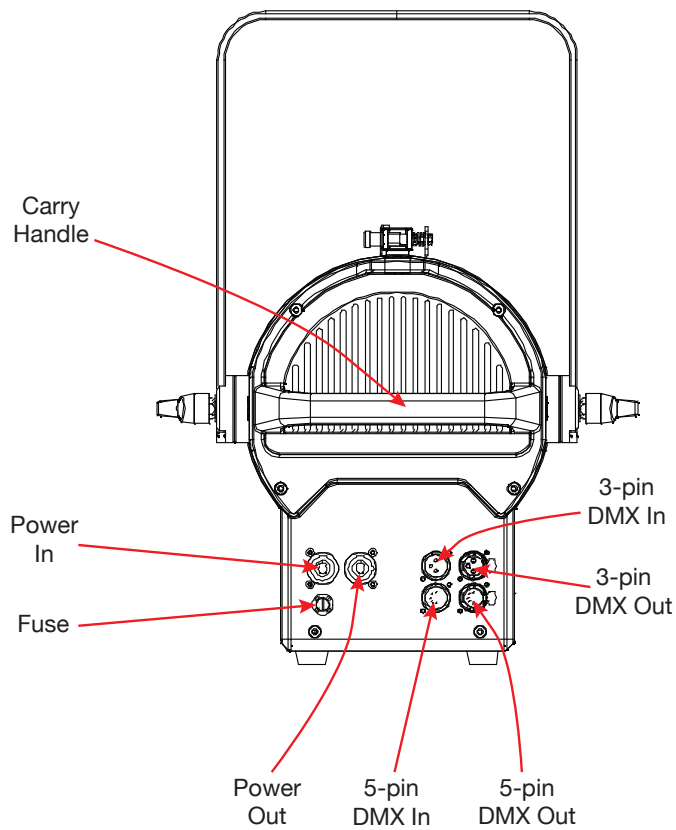
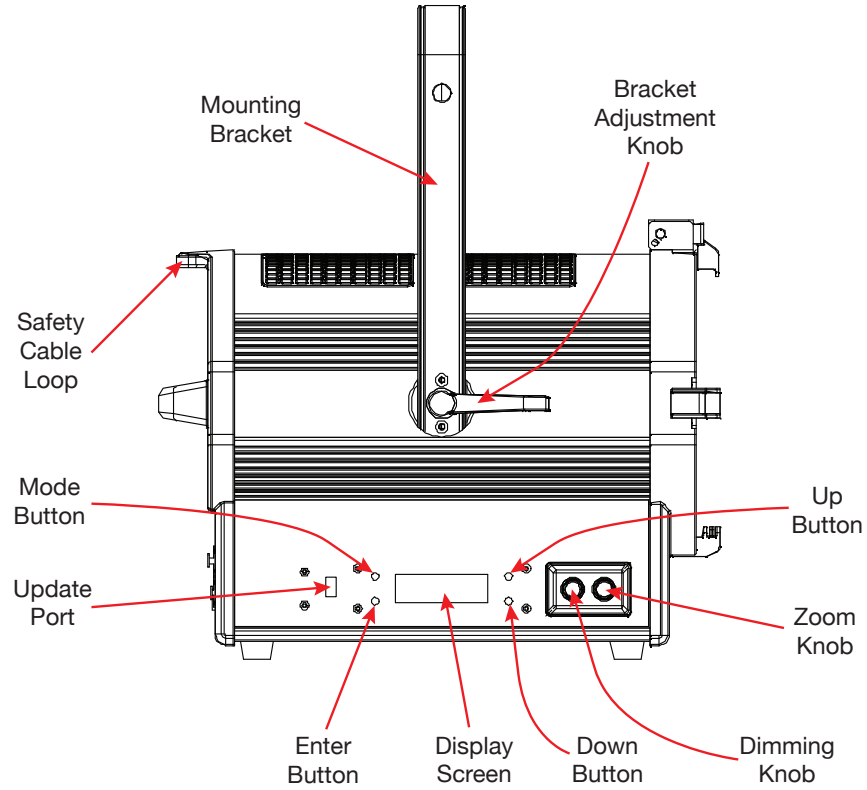


## SAFETY GUIDELINES

***THIS FIXTURE IS COMPOSED OF SOPHISTICATED ELECTRONIC COMPONENTS. TO GUARANTEE SMOOTH OPERATION, IT IS IMPORTANT TO FOLLOW ALL INSTRUCTIONS AND GUIDELINES IN THIS MANUAL. ADJ PRODUCTS, LLC IS NOT RESPONSIBLE FOR INJURY AND/OR DAMAGES RESULTING FROM THE MISUSE OF THIS FIXTURE DUE TO THE DISREGARD OF THE INFORMATION PRINTED IN THIS MANUAL. ONLY QUALIFIED AND/OR CERTIFIED PERSONNEL SHOULD PERFORM INSTALLATION OF THIS FIXTURE AND ONLY THE ORIGINAL RIGGING PARTS INCLUDED WITH THIS FIXTURE SHOULD BE USED FOR INSTALLATION. ANY MODIFICATIONS TO THE FIXTURE AND/OR THE INCLUDED MOUNTING HARDWARE WILL VOID THE ORIGINAL MANUFACTURER'S WARRANTY AND INCREASE THE RISK OF DAMAGE AND/OR PERSONAL INJURY. ONLY CERTIFIED PERSONNEL SHOULD PERFORM INSTALLATION OF THIS FIXTURE.***

- PROTECTION CLASS 1 - FIXTURE MUST BE PROPERLY GROUNDED.
- THERE ARE NO USER SERVICEABLE PARTS INSIDE THIS UNIT.
- DO NOT ATTEMPT ANY REPAIRS YOURSELF; DOING SO WILL VOID YOUR MANUFACTURER'S WARRANTY. DAMAGES RESULTING FROM MODIFICATIONS TO THIS FIXTURE AND/OR THE DISREGARD OF SAFETY INSTRUCTIONS AND GUIDELINES IN THIS MANUAL VOID THE MANUFACTURER'S WARRANTY AND ARE NOT SUBJECT TO ANY WARRANTY CLAIMS AND/OR REPAIRS.
- DO NOT PLUG FIXTURE INTO A DIMMER PACK!
- NEVER OPEN THIS FIXTURE WHILE IN USE!
- UNPLUG POWER BEFORE SERVICING FIXTURE!
- NEVER TOUCH FIXTURE DURING OPERATION, AS IT MAY BE HOT!
- KEEP FLAMMABLE MATERIALS AWAY FROM FIXTURE!
- NEVER LOOK DIRECTLY INTO THE LIGHT SOURCE!
- RETINA INJURY RISK - MAY INDUCE BLINDNESS!
- SENSITIVE PERSONS MAY SUFFER AN EPILEPTIC SHOCK!
- MINIMUM DISTANCE TO OBJECTS/SURFACES IS 6.6 FEET (2 METERS)
- **AMBIENT OPERATING TEMPERATURE RANGE IS 5° F TO 113° F (-15°C TO 45°C). DO NOT OPERATE THE DEVICE WHEN AMBIENT TEMPERATURE IS OUTSIDE OF THIS RANGE.**
- **MINIMUM DISTANCE TO FLAMMABLE MATERIALS FROM THE SURFACE IS 1.6 FEET (0.5 METER).**
- DO NOT TOUCH the fixture housing during operation. Turn OFF the power and allow approximately 60 minutes for the fixture to cool down before servicing.
- DO NOT shake fixture, and avoid brute force when installing and/or operating fixture.
- DO NOT operate fixture if the power cord is frayed, crimped, damaged and/or if any of the power cord connectors are damaged and do not insert into the fixture securely with ease. NEVER force a power cord connector into the fixture. If the power cord or any of its connectors are damaged, replace it immediately with a new one of the same power rating.
- DO NOT block any air ventilation slots. All fan and air inlets must remain clean and never blocked. Allow approx. 6" (15cm) between fixture and other devices or a wall for proper cooling.
- When installing fixture in a suspended environment, always use mounting hardware that is no less than M10 x 25 mm, and always install fixture with an appropriately rated safety cable.
- Always disconnect fixture from main power source before performing any type of service and/or cleaning procedure.
- Only handle the power cord by the plug end. Never pull out the plug by tugging the wire portion of the cord.
- During the initial operation of this fixture, a light smoke or smell may emit from the interior of the fixture. This is a normal process and is caused by excess paint in the interior of the casing burning off from the heat associated with the lamp and will decrease gradually over time.
- Consistent operational breaks will ensure fixture will function properly for many years.
- ONLY use original packaging and materials to transport the fixture for service.

# OVERVIEW





## INSTALLATION



### **FLAMMABLE MATERIAL WARNING**

Keep fixture minimum 5.0 feet (1.5m) away from flammable materials and/or pyrotechnics.



### **ELECTRICAL CONNECTIONS**

A qualified electrician should be used for all electrical connections and/or installations.



**MINIMUM DISTANCE TO OBJECTS/SURFACES IS 6.6 FEET (2 METERS).**

**MINIMUM DISTANCE OF FLAMMABLE MATERIALS FROM THE SURFACE IS 1.6 FEET (0.5 METER)**

### **DO NOT INSTALL THE FIXTURE IF YOU ARE NOT QUALIFIED TO DO SO!**

- Fixture **MUST** be installed following all local, national, and country commercial electrical and construction codes and regulations.
- Before rigging/mounting a single fixture or multiple fixtures to any metal truss/structure or placing the fixture(s) on any surface, a professional equipment installer **MUST** be consulted to determine if the metal truss/structure or surface is properly certified to safely hold the combined weight of the fixture(s), clamps, cables, and accessories.
- Ambient operating temperature range is **5° F to 113° F (-15°C to 45°C)**. Do not use operate the fixture when ambient temperature is outside of this range!
- Fixture(s) should be installed outside walking paths, seating areas, or areas where unauthorized personnel might reach the fixture by hand.
- **NEVER** stand directly below the fixture(s) when rigging, removing, or servicing.
- Overhead fixture installation must always be secured with a secondary safety attachment, such as an appropriately rated safety cable.
- Allow approximately 60 minutes for the fixture to cool down before servicing.

### **INDOOR USE ONLY!**

**This device is not intended for outdoor usage, or exposure to rain or moisture! Use of this device outdoors voids your manufacturer's warranty!**

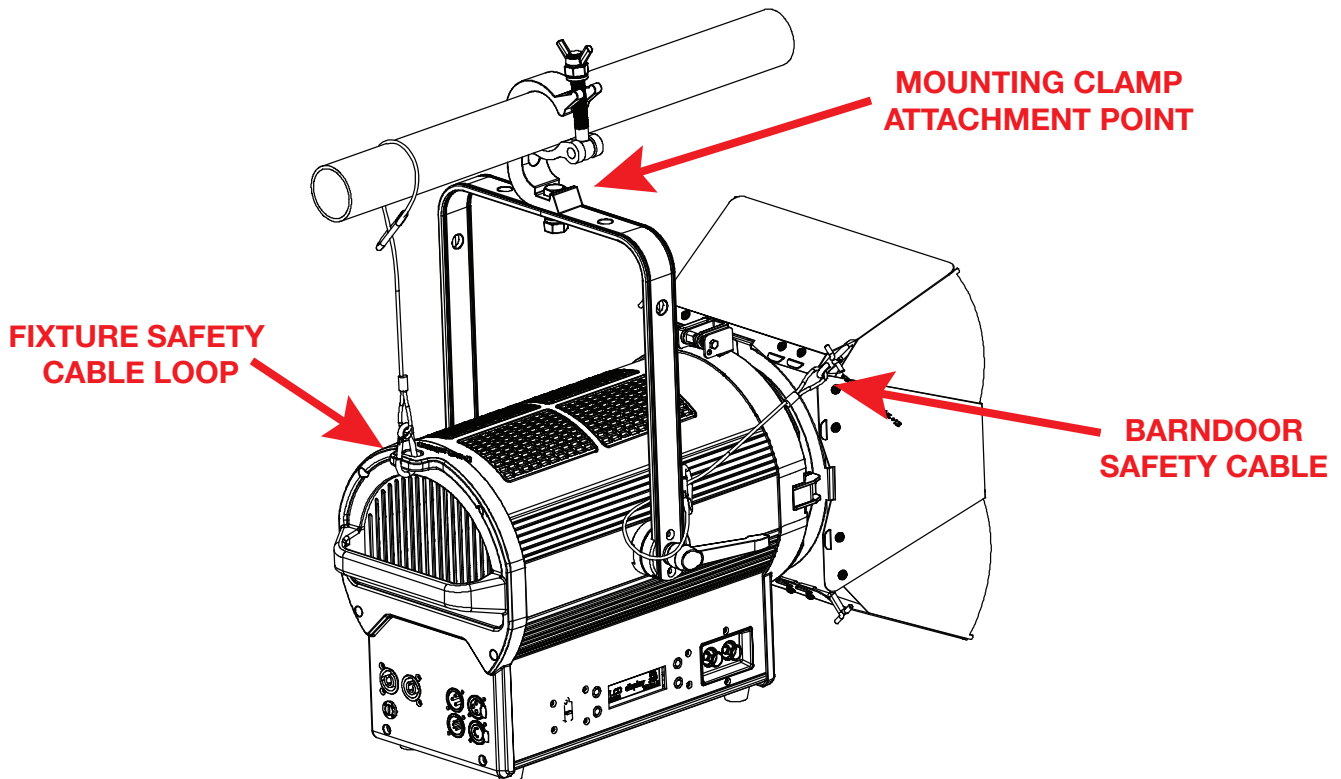
### **RIGGING**

**Overhead rigging requires extensive experience, including calculating working load limits, knowledge about installation materials being used, and periodic safety inspection of all installation material and the fixture, among other skills. If you lack these qualifications, do not attempt the installation yourself. Improper installation can result in bodily injury.**

## INSTALLATION

### CLAMP INSTALLATION

This fixture features an attachment point for a mounting clamp located at the top the mounting bracket. There is also a loop for the attachment of a safety cable located on the rear of the fixture, just above the carrying handle (see the illustration below). When mounting the fixture to a truss or any other suspended or overhead installation, be sure to secure an appropriately rated clamp (not included) to the mounting bracket, and attach a separate **SAFETY CABLE** of the appropriate weight rating to the safety cable loop. **Please note that when the available barn-door is fitted, the barn-door must be secured with its own separate safety cable.**

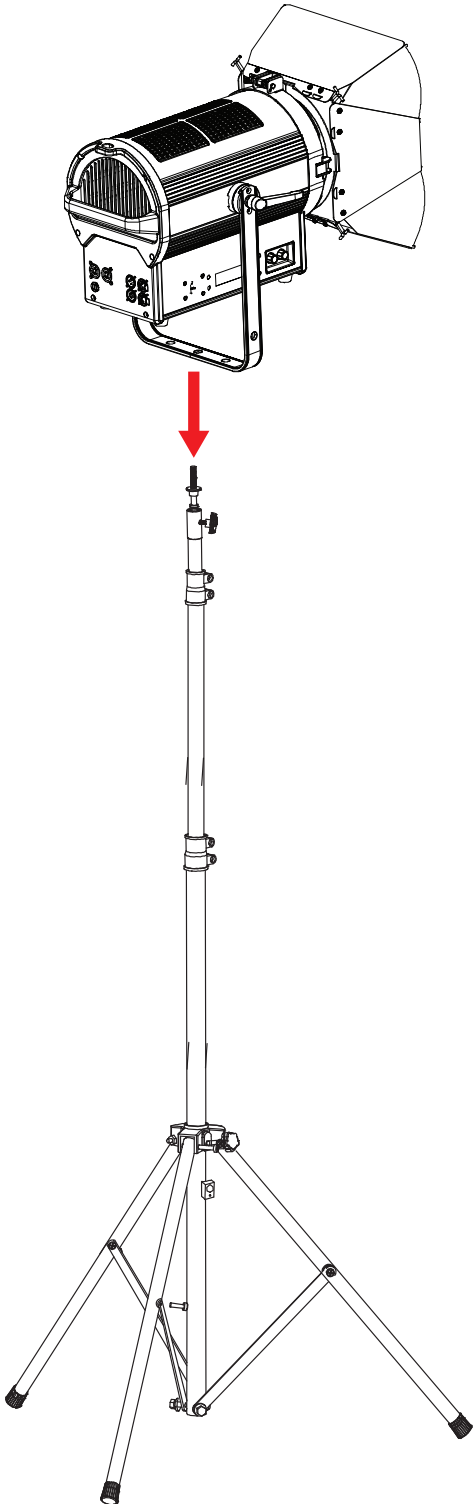


**SAFETY CABLE:**  
**ALWAYS ATTACH A SAFETY CABLE WHENEVER INSTALLING THIS FIXTURE  
IN A SUSPENDED ENVIRONMENT TO ENSURE THAT THE FIXTURE WILL NOT  
FALL IF THE CLAMP FAILS.**

## INSTALLATION

### STAND MOUNTING

This unit can also be installed atop a tripod stand. Simply insert the threaded bolt on the top of the tripod stand through the hole in the top of the mounting yoke. Tighten the nut onto the threaded bolt to secure the mounted device in place.



**CAUTION!**

**MAKE SURE THAT THE TRIPOD LEGS AND ALL TELESCOPING ELEMENTS OF THE TRIPOD STAND ARE LOCKED IN PLACE BEFORE INSTALLING THE DEVICE ATOP THE STAND!**

**POSITION THE TRIPOD STAND AND MOUNTED DEVICE ONLY ON FLAT, STABLE SURFACES! DEPLOY TRIPOD LEGS FULLY IN ORDER TO MAXIMIZE STABILITY!**

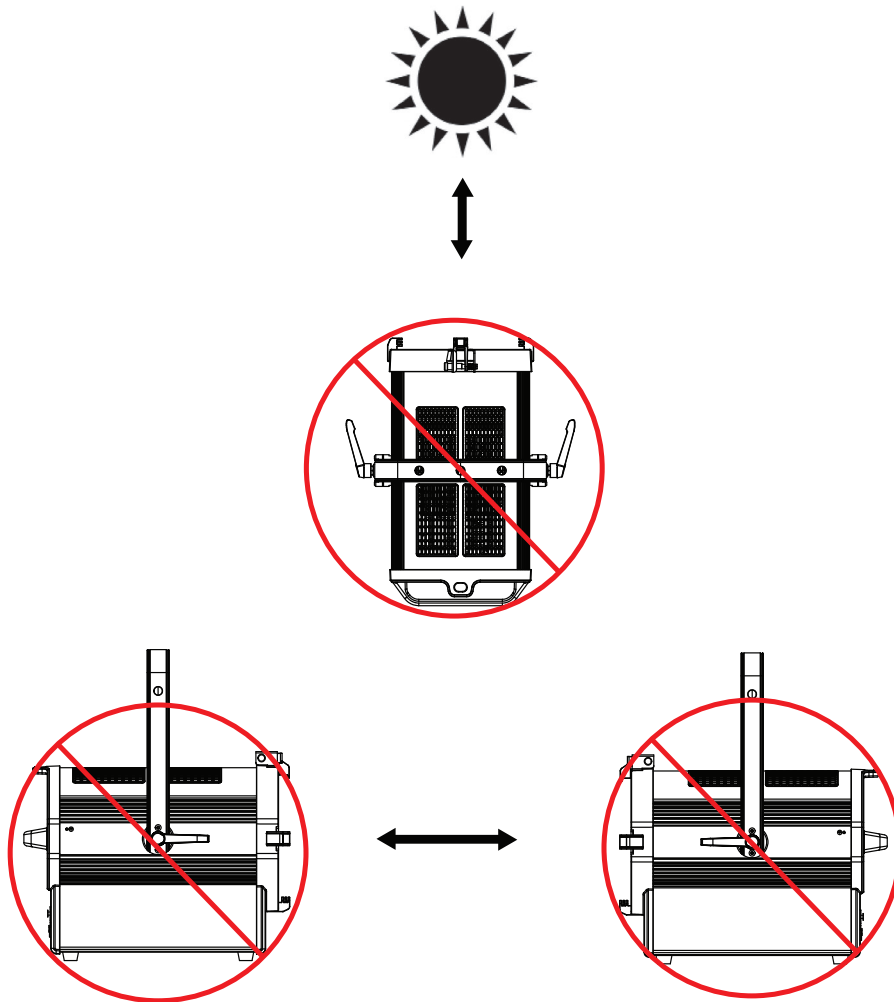
## INSTALLATION

### POTENTIAL INTERNAL FIXTURE DAMAGE FROM EXTERNAL SOURCES OF LIGHT BEAMS

External sources of light beams from direct sunlight, lighting moving head fixtures, and lasers which are focused directly towards the exterior housing and/or penetrate the front lens opening of ADJ lighting fixtures can cause severe internal damage, including burning of optics, dichroic color filters, glass and metal gobos, prisms, animation wheels, frost filters, irises, shutters, motors, belts, wiring, discharge lamps, and LEDs.

This issue is not unique to ADJ lighting fixtures, but rather it is a common issue with lighting fixtures from all manufacturers. Although there is no true way to completely prevent this issue from occurring, the guidelines below can reduce the risk of any potential damage if followed. Contact ADJ Service for more details.

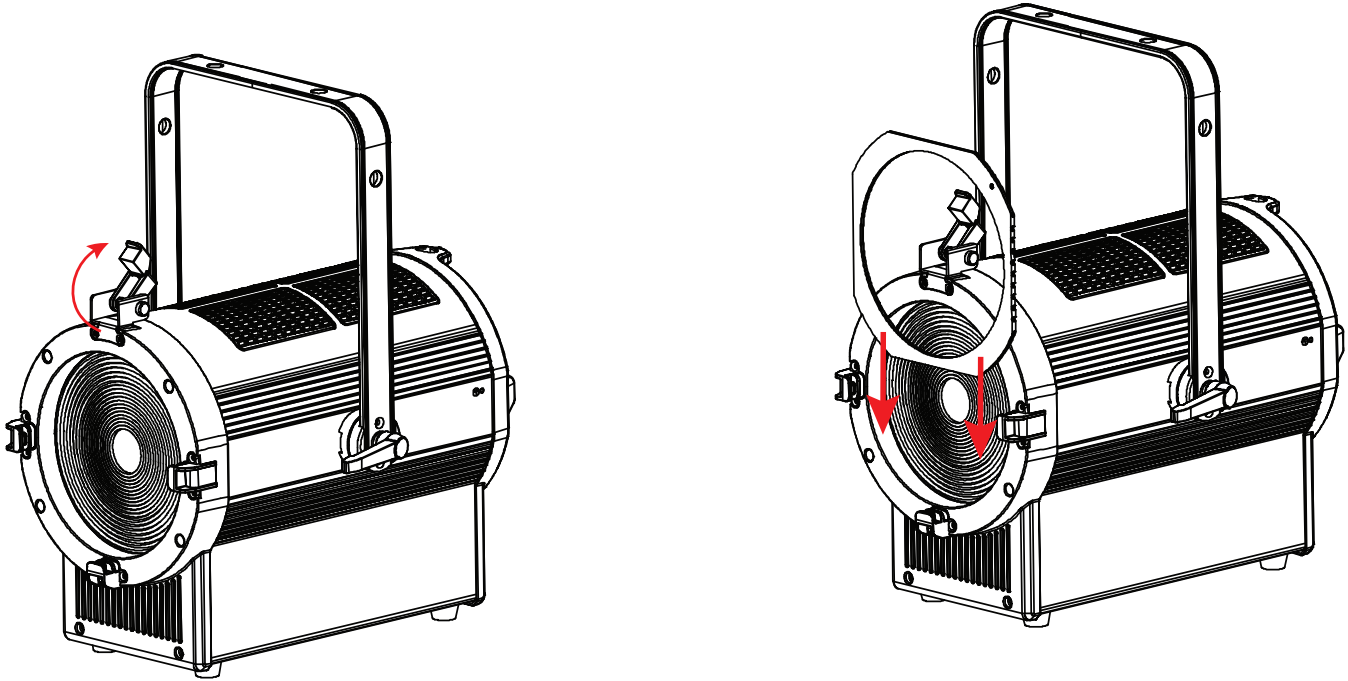
**DO NOT EXPOSE THE FIXTURE AND/OR FRONT LENS OPENING TO LIGHT BEAMS FROM DIRECT SUNLIGHT, OTHER LIGHTING OR MOVING HEAD FIXTURES, AND LASERS DURING UNPACKING, INSTALLATION, USE, AND EXTENDED IDLE TIMES OUTDOORS. DO NOT FOCUS A LIGHT BEAM FROM ONE LIGHTING FIXTURE DIRECTLY TOWARDS ANOTHER.**



## ACCESSORY INSTALLATION

### GEL FRAME

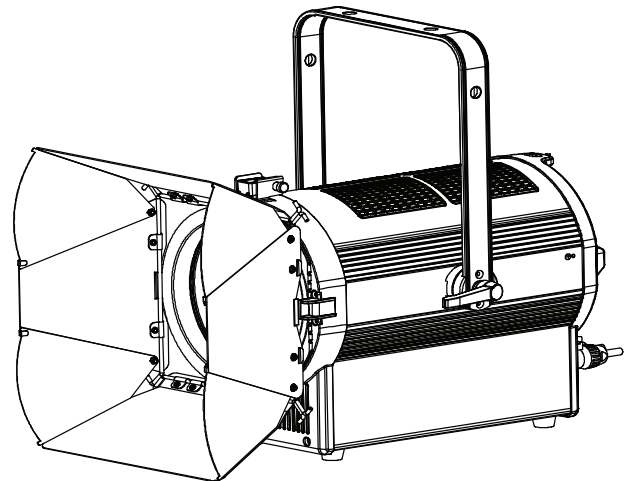
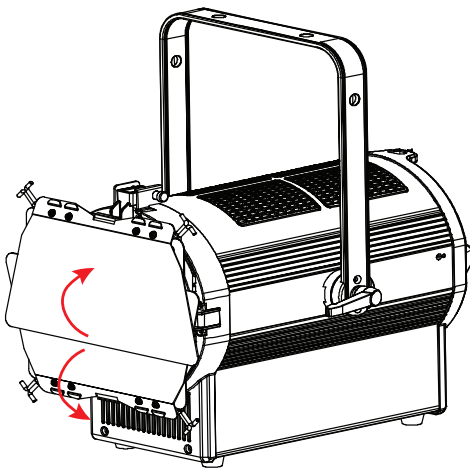
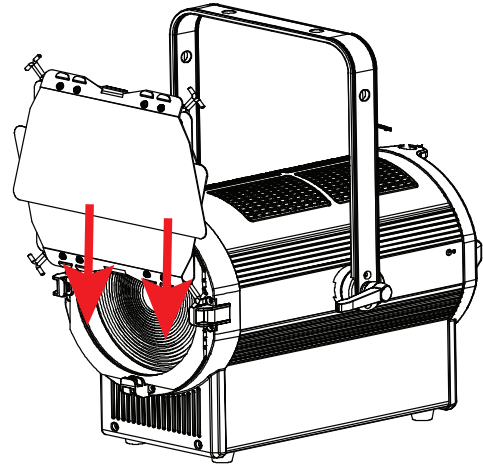
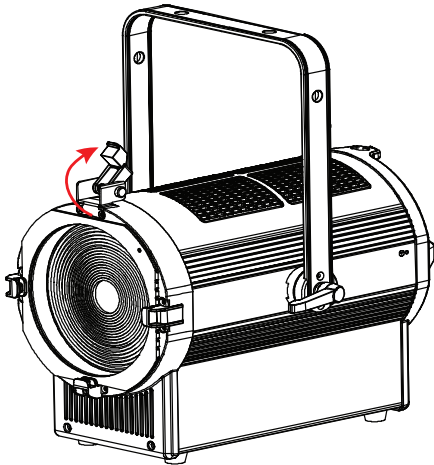
In order to install the included gel frame, locate the latch on the top of the lens frame. Press and hold the button on the side of the latch to unlock it, then open the latch by swinging it upward. Slide the gel frame into place in the slot in front of the lens, then close the latch to secure the gel frame in place.



## ACCESSORY INSTALLATION

### BARNDOOR

In order to install the barndoor, locate the latch at the top of the lens frame. Press and hold the button on the side of the latch to unlock it, then swing the latch upward. Slide the barndoor into place in front of the lens. If the included gel frame has already been installed, make sure to install the barndoor in front of the gel frame as well. Flip the latch back down to secure the barndoor in place, then open the barndoor panels by pulling them outward. ***Please note that when the barndoor has been fitted, it must be secured with its own separate safety cable!***



## REMOTE DEVICE MANAGEMENT (RDM)

**NOTE: In order for RDM to work properly, RDM enabled equipment must be used throughout the entire system, including DMX data splitters and wireless systems.**

Remote Device Management (RDM) is a protocol that sits on top of the DMX512 data standard for lighting, allowing the DMX systems of the fixtures to be modified and monitored remotely. This protocol is ideal for instances in which a unit is installed in a location that is not easily accessible.

With RDM, the DMX512 system becomes bi-directional, allowing a compatible RDM enabled controller to send out a signal to devices on the wire, as well as allowing the fixture to respond (known as a GET command). The controller can then use its SET command to modify settings that would typically have to be changed or viewed directly via the unit's display screen, including the DMX Address, DMX Channel Mode, and Temperature Sensors.

Please be aware that **not all RDM devices support all RDM features**, and therefore it is important to check beforehand to ensure that the equipment that you are considering includes all of the features that you require.

The following parameters are accessible in RDM on this device:

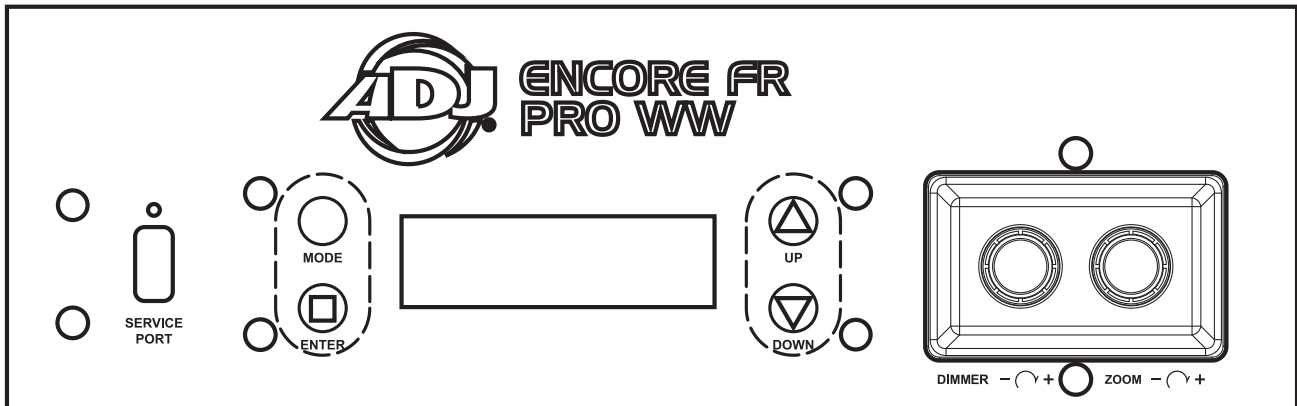
Proxied Device Count	Device Power Cycles
Sensor Definition	Display Invert
Sensor Value	Display Level
Device Model Description	Realtime Clock
Manufacturer Label	Power State
Device Label	Preset Playback
DMX Personality	Default Slot Value
DMX Personality Description	Language
Device Hours	Language Capabilites
Comms Status	Boot Software Version Label
Status ID Description	Boot Software Version ID
Clear Status ID	Product Detail ID List
Lamp Hours	Status Messages



## CONTROL PANEL

The fixture includes an easy to navigate system menu control panel display where all necessary settings and adjustments are made. (See image below)

- **MODE:** Cycles through the main menu options and/or return to previous menu without making changes.
- **DOWN/UP:** Scroll through options in the selected menu.
- **ENTER:** Select highlighted option and/or confirm selection.



### ENCODER KNOBS

The control panel features two encoder knobs to the right of the Up/Down buttons. The dimming knob is used to manually adjust the brightness of the fixture, while the zoom knob is used to manually zoom in and out. Press each knob to activate manual adjustment, twist clockwise to increase, and twist counter-clockwise to decrease. **Please note that these knobs will NOT function when DMX is connected and active.**

### DISPLAY SCREEN LOCK

When the Display Lock setting is set to 1~10min, the display screen will automatically lock if there is no activity for the specified length of time. To unlock the display screen, simply press and hold the MODE button for 3 seconds. Alternately, when the Display Lock setting is set to OFF, the display screen will never automatically lock. However, it can still be manually locked by pressing and holding the MODE button for 2 seconds. To unlock, press and hold the MODE button for 3 seconds.

### KEY LOCK

This device features a key lock feature designed to prevent accidental key presses. The selectable settings are as follows:

- **OFF:** Keys are not locked (default).
- **ON:** Keys are locked, and can be unlocked by pressing and holding the Mode button for 10 seconds.
- **ON1:** Keys are locked, and require a passcode to unlock the device. To unlock, press the Mode button so that "LOCKED \*\*\*\*\*" is displayed on the screen, then press UP DOWN UP DOWN ENTER in that order.

## SYSTEM MENU

<b>DMX SET</b>	Address	<b>001</b> - XXX		Set DMX address
	DMX Channel Mode	Simple 2ch		Select DMX channel mode
		Basic 4ch		
		<b>Standard 6ch</b>		
		Extended8ch		
	No DMX Status	Hold Last		Hold last settings before DMX signal was lost
Fade to Black		Blackout fixture in the event that DMX signal is lost		
Manual		Revert to manual mode settings in the event that DMX signal is lost		
<b>PERSONALITY</b>	Prim/Sec Mode	Primary / <b>Secondary</b>		
	Fan Settings	<b>Auto</b>		
		High		
		Low		
	Dim Modes	<b>Standard</b>		
		Stage		
		TV		
		Architectural		
		Theatre		
		Stage 2		
		Dim Speed	0.1s - 10.0s	
	LED Refresh Rate	900-1500 Hz, 2500 Hz, 4000 Hz, 5000 Hz, 6000 Hz, 10 KHz, 15 KHz, 20 KHz, 25 KHz		Default = <b>1200 Hz</b>
	Dim Curve	<b>Square</b>		
		Linear		
		Inv. Squa.		
		S. Curve		
Reset Motors	Zoom Reset	Yes / <b>No</b>		
Display	Intensity	<b>1 - 10</b>		
	Display Invert	Yes / No		Invert screen display
	Screen Saver Delay	Off - 10 min		Default = <b>5 min</b>
	Key Lock	OFF		Keys not locked
		<b>ON</b>		Keys locked
		ON1		Keys locked, unlock w/ code

CONTINUED ON NEXT PAGE

## SYSTEM MENU

<b>PERSONALITY (continued)</b>	Service	Passcode = 050	Effect Adjust (Calibration)	Zoom 000 - 255	
			USB Port Power	Off / On	
			Update Software	Off / On	
			Factory Restore Passcode = 011	Off / On	Returns fixture to factory default settings
<b>MANUAL CONTROL</b>	Shutter	000 - 255			
	Dimmer	000 - 255			
	Dimmer Fine	000 - 255			
	Zoom	000 - 255			
	Zoom Fine	000 - 255			
<b>INFORMATION</b>	Fixture Life Time	Power On Time	xxxxxx Hours		Total fixture power on time, non-resettable
		P-On Time-R	xxxxxx Hours		Fixture power on time since last reset, resettable
		P-On Time-Reset	Passcode = 050		Reset power on time
	Total LED Time	LED On Time	xxxxxx Hours		Total LED on time, non- resettable
		LED On Tme-R	xxxxxx Hours		LED on time since last reset, resettable
		LED Hours Reset	Passcode = 050		Reset LED time
	Fixture Temps	LEDs	Current	xxx F / xxx C	Current LED temp
			Max Resettable	xxx F / xxx C	Max LED temp since last reset, resettable
			Max Not Reset- table	xxx F / xxx C	Max lifetime LED temp, not resettable
		Reset LED Temp	Yes / <b>No</b>	Passcode = 050	
	Fan Info (RPM)	LED Fan	xxxx RPM		
	DMX Values	Shutter			Display current DMX value of each setting
		Dimmer			
		...			
		Zoom Fine			
Product ID	RDM UID				
Error Logs	Error List (one by one)				
	Reset Error Log	Yes / <b>No</b>	Passcode = 050		
Software Version	x.xx				

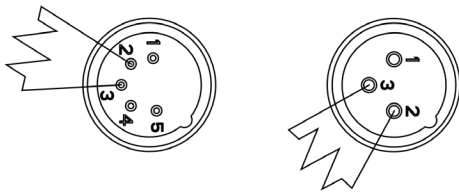
## DMX SETUP

**DMX-512:** DMX is short for Digital Multiplex. This is a universal protocol used as a form of communication between intelligent fixtures and controllers. A DMX controller sends DMX data instructions from the controller to the fixture. DMX data is sent as serial data that travels from fixture to fixture via the DATA “IN” and DATA “OUT” XLR terminals located on all DMX fixtures (most controllers only have a DATA “OUT” terminal).

**DMX Linking:** DMX is a language allowing all makes and models of different manufacturers to be linked together and operate from a single controller, as long as all fixtures and the controller are DMX compliant. To ensure proper DMX data transmission, try to use the shortest cable path possible when using several DMX fixtures. The order in which fixtures are connected in a DMX line does not influence the DMX addressing. For example, a fixture assigned a DMX address of 1 may be placed anywhere in a DMX line: at the beginning, at the end, or anywhere in the middle. When a fixture is assigned a DMX address of 1, the DMX controller knows to send DATA assigned to address 1 to that unit, no matter where it is located in the DMX chain.

**Data Cable (DMX Cable) Requirements (For DMX Operation):** The Encore FR Pro WW can be controlled via DMX-512 protocol, and features multiple DMX channel modes. Your unit and your DMX controller can operate with either a 3-pin or 5-pin XLR connector for data input and data output. If you are making your own cables, be sure to use standard 110-120 Ohm shielded cable (This cable may be purchased at almost all professional lighting stores). Your cables should be made with a male XLR connector at one end and a female XLR connector at the other. Also remember that DMX cable must be daisy chained and cannot be split.

**Special Note: Line Termination.** When longer runs of cable are used, you may need to use a terminator on the last unit to avoid erratic behavior. A terminator is a 110-120 ohm 1/4 watt resistor which is connected between pins 2 and 3 of a male XLR connector (DATA + and DATA -). This unit is inserted in the female XLR connector of the last unit in your daisy chain to terminate the line. Using a cable terminator (ADJ part number Z-DMX/T) will decrease the chances of erratic behavior.



A DMX512 terminator reduces signal errors, avoiding most signal reflection interference. Connect PIN 2 (DMX-) and PIN 3 (DMX+) of the last fixture in series with a 120 Ohm, 1/4 W Resistor to terminate the DMX512.

## DMX SETUP

### DMX ADDRESSING

All fixtures should be given a DMX starting address when operating with a DMX controller, in order to ensure that the correct fixture responds to the correct control signal. This digital starting address is the channel number from which the fixture starts to “listen” to the digital control signal sent out from the DMX controller. The starting DMX address is configured by setting the correct DMX address on the control panel display on the fixture.

You can set the same starting address for multiple fixtures, or set different addresses for each individual fixture. Setting multiple fixtures to the same DMX address will cause all those fixtures to react in the same way. In this case, please note that changing the settings of one channel will affect all the fixtures simultaneously.

If you set each fixture to a different DMX address, each unit will start to “listen” to the channel number you have set, based on the quantity of DMX channels of each fixture. That means changing the settings of one channel will only affect the selected fixture.

As an example, when operating this device in 4 channel mode, you should set the starting DMX address of the first unit to 1, the second unit to 5 (1 + 4), the third unit to 9 (1 + 4 + 4), and so on. (See the chart below for more details.)

Channel Mode	Unit 1 Address	Unit 2 Address	Unit 3 Address	Unit 4 Address
2-channel	1	3	5	7
4-channel	1	5	9	13
6-channel	1	7	13	19
8-channel	1	9	17	25

## DMX TRAITS

CHANNEL				DMX VALUE	FUNCTION
2CH	4CH	6CH	8CH		
					<b>Shutter</b>
				000 - 031	Shutter Closed (LEDs Off)
				032 - 063	Shutter Open (LEDs On)
				064 - 095	Strobe Effect, slow to fast
	1	1	1	096 - 127	Shutter Open (LEDs On)
				128 - 159	Pulse Effect in Sequences
				160 - 191	Shutter Open (LEDs On)
				192 - 223	Random Strobe Effect, slow to fast
				224 - 255	Shutter Open (LEDs On)
1	2	2	2	000 - 255	<b>Dimmer Intensity</b> , 0% to 100%
2		3	3	000 - 255	<b>Dimmer Fine</b>
	3	4	4	000 - 255	<b>Zoom</b> , wide to narrow
			5	000 - 255	<b>Zoom Fine</b>
					<b>Dim Modes</b>
				000 - 020	Default to unit setting
				021 - 040	Standard
				041 - 060	Stage
				061 - 080	TV
				081 - 100	Architectural
				101 - 120	Theatre
				121 - 140	Stage 2
					<b>Dimming Speed</b>
				141	0.1 s
				142	0.2 s
		5	6	143	0.3 s
				144	0.4 s
				145	0.5 s
				146	0.6 s
				147	0.7 s
				148	0.8 s
				149	0.9 s
				150	1.0 s
				151	1.5 s
				152	2.0 s
				153	3.0 s
				154	4.0 s

CONTINUED ON NEXT PAGE

## DMX TRAITS

CHANNEL				DMX VALUES	FUNCTION
2CH	4CH	6CH	8CH		
		5	6		<b><i>Dimming Speed (continued)</i></b>
				155	5.0 s
				156	6.0 s
				157	7.0 s
				158	8.0 s
				159	9.0 s
				160	10.0 s
				161 - 255	
			7		<b><i>Dim Curves</i></b>
				000 - 020	Square
				021 - 040	Linear
				041 - 060	Inv. Squa
				061 - 080	S. Curve
				081 - 255	
	4	6	8		<b><i>Special Functions</i></b>
				000 - 010	Default LED Refresh Rate (1200 Hz)
				011	900 Hz
				012	910 Hz
				013	920 Hz
				014	930 Hz
				015	940 Hz
				016	950 Hz
				017	960 Hz
				018	970 Hz
				019	980 Hz
				020	990 Hz
				021	1000 Hz
				022	1010 Hz
				023	1020 Hz
				024	1030 Hz
				025	1040 Hz
				026	1050 Hz
				027	1060 Hz
				028	1070 Hz
				029	1080 Hz
	030	1090 Hz			

CONTINUED ON NEXT PAGE



## DMX TRAITS

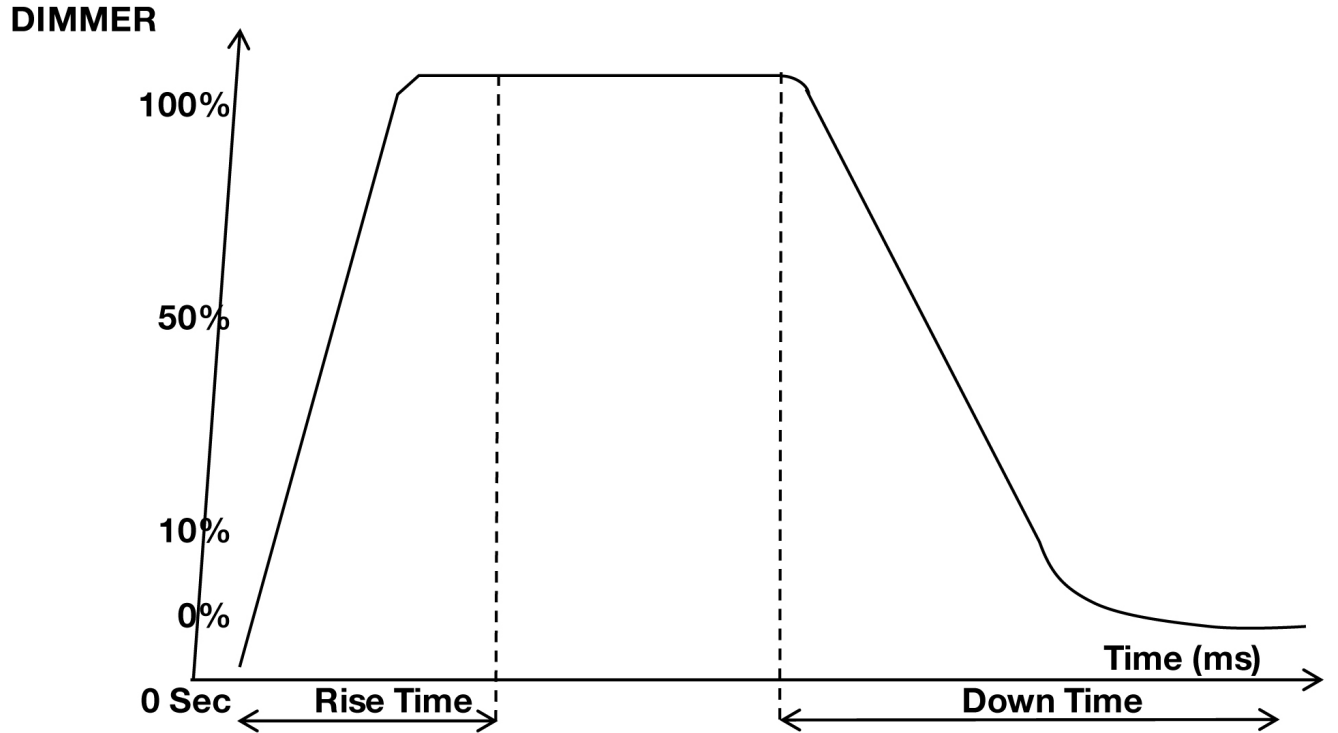
CHANNEL				DMX VALUES	FUNCTION
2CH	4CH	6CH	8CH		
					<i>Special Functions (continued)</i>
				031	1100 Hz
				032	1110 Hz
				033	1120 Hz
				034	1130 Hz
				035	1140 Hz
				036	1150 Hz
				037	1160 Hz
				038	1170 Hz
				039	1180 Hz
				040	1190 Hz
				041	1210 Hz
				042	1220 Hz
				043	1230 Hz
				044	1240 Hz
				045	1250 Hz
				046	1260 Hz
				047	1270 Hz
				048	1280 Hz
				049	1290 Hz
				050	1300 Hz
				051	1310 Hz
				052	1320 Hz
				053	1330 Hz
				054	1340 Hz
				055	1350 Hz
				056	1360 Hz
				057	1370 Hz
				058	1380 Hz
				059	1390 Hz
				060	1400 Hz
				061	1410 Hz
				062	1420 Hz
				063	1430 Hz
				064	1440 Hz
				065	1450 Hz

CONTINUED ON NEXT PAGE

## DMX TRAITS

CHANNEL				DMX VALUES	FUNCTION
2CH	4CH	6CH	8CH		
					<i>Special Functions (continued)</i>
				066	1460 Hz
				067	1470 Hz
				068	1480 Hz
				069	1490 Hz
				070	1500 Hz
				071	2500 Hz
				072	4000 Hz
				073	5000 Hz
				074	6000 Hz
	4	6	8	075	10 KHz
				076	15 KHz
				077	20 KHz
				078	25 KHz
				079	Disable LED Refresh Rate
				080 - 089	Zoom Reset
				090 - 099	No Function
				100 - 105	Fan Mode Low
				106 - 111	Fan Mode High
				112 - 117	Fan Mode Auto
				118 - 255	No Function

## DIM MODES



Dimming Curve Ramp Effect	0 sec Fade Time		1 sec Fade Time	
	Rise Time (ms)	Down Time (ms)	Rise Time (ms)	Down Time (ms)
Standard (default)	0	0	0	0
Stage	780	1100	1540	1660
TV	1180	1520	1860	1940
Architectural	1380	1730	2040	2120
Theatre	1580	1940	2230	2280
Stage 2	0	1100	0	1660

## DAISY CHAIN POWER LINKING

These units have the capability to be daisy chained together via the power in/out ports. **The maximum number of units that can be linked together in this manner is as follows:**

- **4 units maximum when running on 110V power.**
- **10 units maximum when running on 240V power.**

**DO NOT EXCEED THE NUMBER OF UNITS LISTED ABOVE.**

**DO NOT MIX MAKE AND MODEL TYPES WHEN DAISY CHAINING!** All units that are connected in this manner must be of the same make and model type.

## CLEANING AND MAINTENANCE

***DISCONNECT POWER BEFORE PERFORMING ANY MAINTENANCE!***

### CLEANING

Frequent cleaning is recommended to ensure proper function, optimized light output, and an extended life. The frequency of cleaning depends on the environment in which the fixture operates: damp, smoky, or particularly dirty environments can cause greater accumulation of dirt on the fixture's optics. Clean the external lens surface periodically with a soft cloth to avoid dirt/debris accumulation.

**NEVER** use alcohol, solvents, or ammonia-based cleaners.

### MAINTENANCE

Regular inspections are recommended to ensure proper function and extended life. There are no user serviceable parts inside this fixture. Please refer all other service issues to an authorized ADJ service technician. Should you need any spare parts, please order genuine parts from your local ADJ dealer.

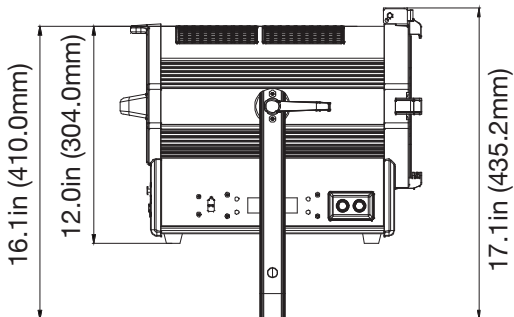
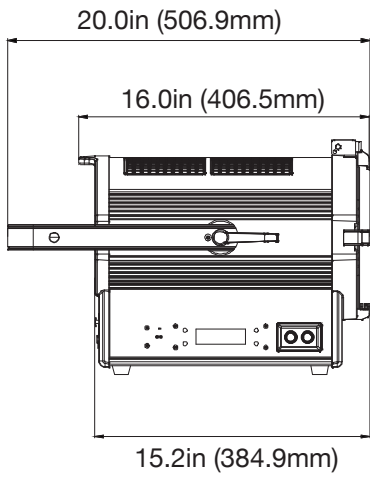
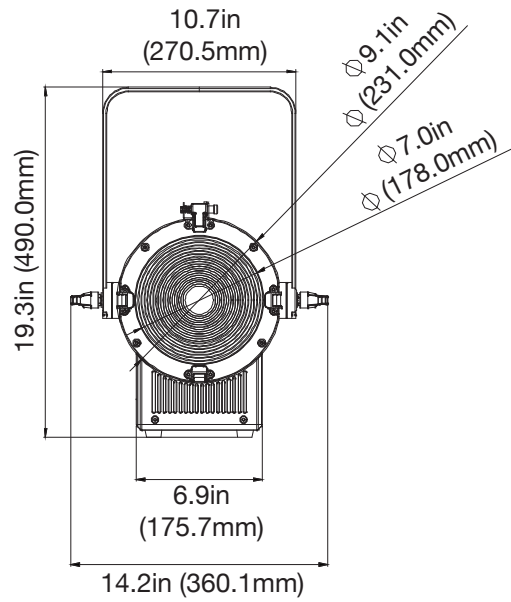
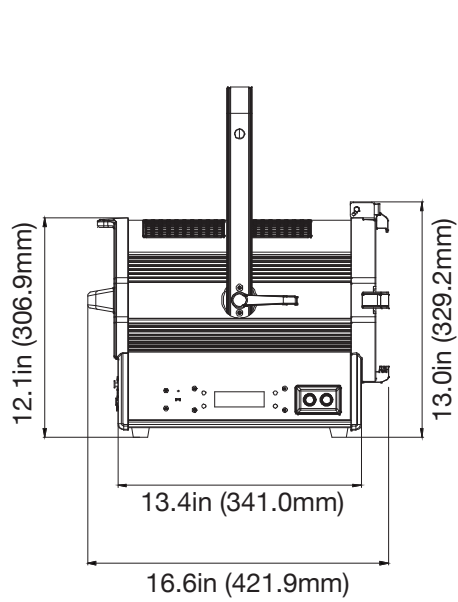
Please refer to the following points during routine inspections:

- A detailed electrical check by an approved electrical engineer every three months, to make sure the circuit contacts are in good condition and prevent overheating.
- Be sure all screws and fasteners are securely tightened at all times. Loose screws may fall out during normal operation, resulting in damage or injury as larger parts could fall.
- Check for any deformations on the housing, color lenses, rigging hardware, and rigging points (ceiling, suspension, trussing). Deformations in the housing could allow for dust or liquids to enter into the fixture. Damaged rigging points or unsecured rigging could cause fixture to fall and seriously injure a person(s).
- Electric power supply cables must not show any damage, material fatigue, or sediments.

**NEVER** remove the ground prong from the power cable.

# DIMENSIONAL DRAWINGS

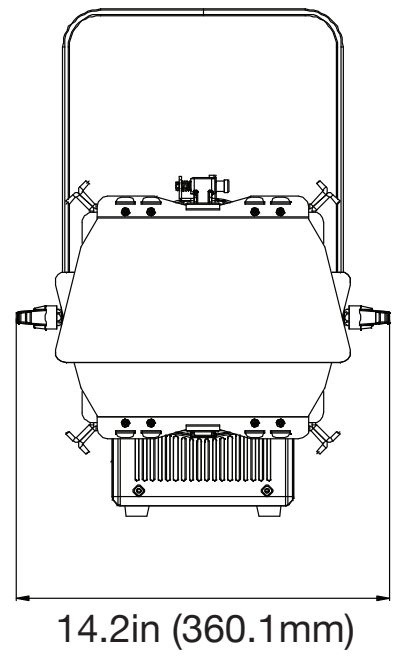
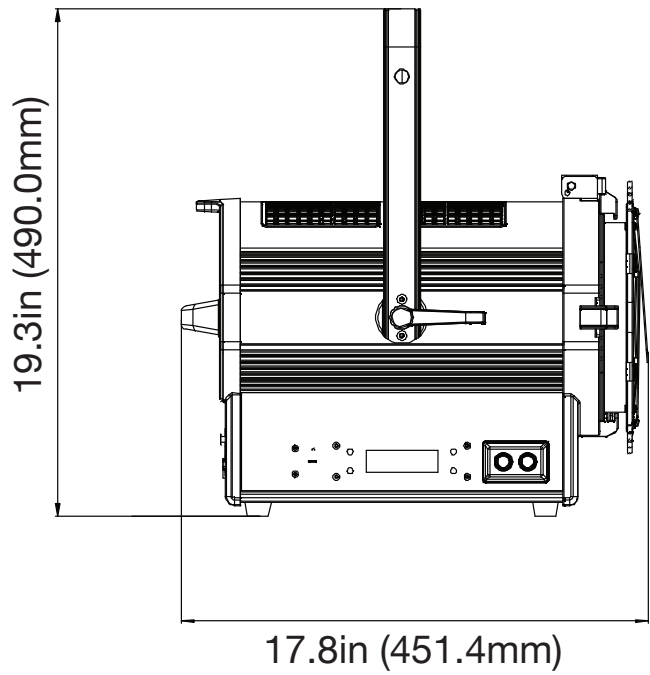
## FIXTURE ONLY



## DIMENSIONAL DRAWINGS

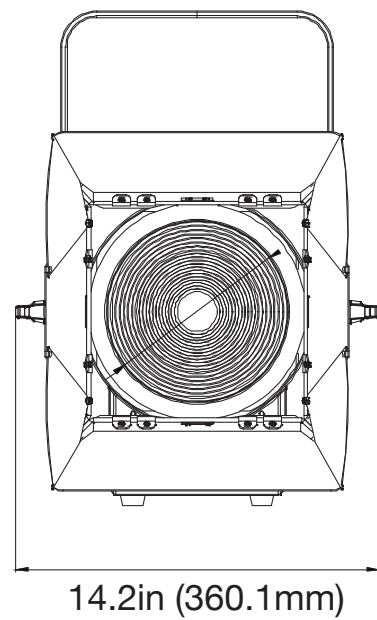
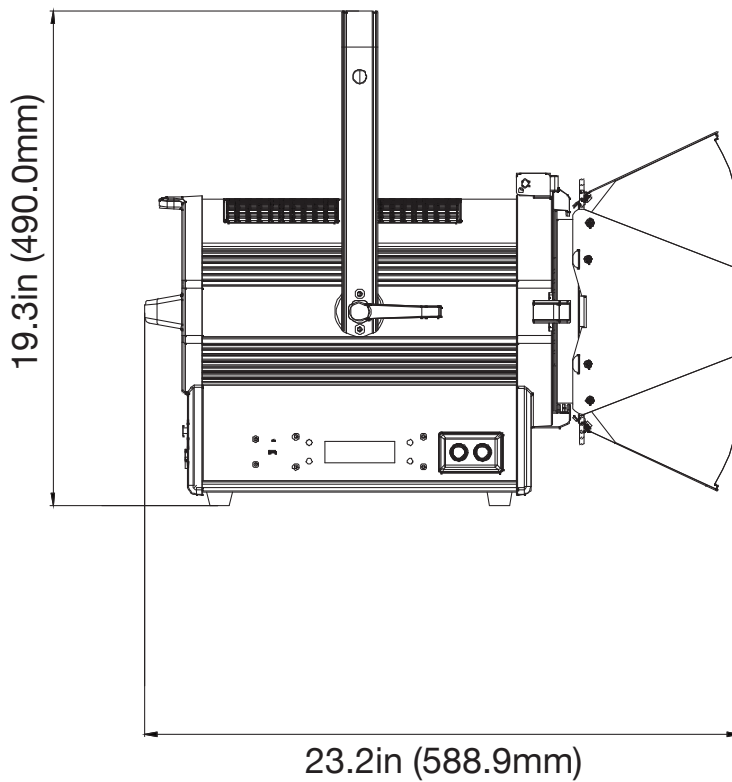
### BARNDOOR CLOSED

*(dimensions are the same as in FIXTURE ONLY section, unless otherwise noted)*



### BARNDOOR OPEN

*(dimensions are the same as in FIXTURE ONLY section, unless otherwise noted)*



# SPECIFICATIONS

## SOURCE

- 1X200W WW LED
- 50,000 Hour Average LED Life\*
- \*May vary depending on several factors including but not limited to:
  - Environmental Conditions, Power/Voltage, Usage Patterns (On-Off Cycling), Control and Dimming.

## PHOTOMETRIC DATA

- 7,690 Total Lumen Output (Full ON, Zoomed IN)
- 7,622 Total Lumen Output (Full ON, Zoomed OUT)
- 60,368 LUX 5,608 FC @ 6.6' (2m) (Zoomed IN)
- 60,147 LUX 5,588 FC @ 6.6' (2m) (Zoomed OUT)
- 97.0 CRI, 86 R9 @ 6.6' (2m) (Zoomed IN)
- 96.9 CRI, 87 R9 @ 6.6' (2m) (Zoomed OUT)
- Beam Angle 10.8° - 32.7°
- Max Field Angle 49.5°
- Color Temperature: 3200K
- CRI: 96+

## EFFECTS

- Manual Zoom
- Electronic Dimmer and Strobe (1-20Hz)
- Variable 16-bit Dimming Modes and Curves

## CONTROL / CONNECTIONS

- Manual and DMX Controlled Dimmer and Shutter
- Dimmer and Zoom Rotary Dials
- (4) DMX Channel Modes (2 / 4 / 6 / 8)
- 4 Button Control Panel LCD Menu Display
- RDM (Remote Device Management)
- 3/5pin DMX and IP65 Locking Power Cable In/Out
- USB Service Port
- With Wired Digital Communication Network

## SIZE / WEIGHT

- Length: 16.32" (414.5mm)
- Width: 14.18" (360.1mm)
- Vertical Height: 19.29" (490mm)
- Weight: 20.9 lbs. (9.45kg)

## ELECTRICAL / THERMAL

- AC 100-240V - 47/63Hz
- 237W Max Power Consumption
- 5°F to 113°F (-15°C to 45°C)
- Power Linking: 4Pcs @ 110V / 10Pcs @ 240V

## INCLUDED ITEMS

- Gel Frame
- IP65 Locking Power Cable
- 

## OPTIONAL ACCESSORIES

- Barn Doors

## APPROVALS / RATINGS

- CE | cETLus | IP20

*Specifications and manual are subject to improvement without prior written notice.*



