

# **HYDRO BEAM X12**

## **User Instructions**

©2023 ADJ Products, LLC all rights reserved. Information, specifications, diagrams, images, and instructions herein are subject to change without notice. ADJ Products, LLC logo and identifying product names and numbers herein are trademarks of ADJ Products, LLC. Copyright protection claimed includes all forms and matters of copyrightable materials and information now allowed by statutory or judicial law or hereinafter granted. Product names used in this document may be trademarks or registered trademarks of their respective companies and are hereby acknowledged. All non-ADJ Products, LLC brands and product names are trademarks or registered trademarks of their respective companies.

**ADJ Products, LLC** and all affiliated companies hereby disclaim any and all liabilities for property, equipment, building, and electrical damages, injuries to any persons, and direct or indirect economic loss associated with the use or reliance of any information contained within this document, and/or as a result of the improper, unsafe, insufficient and negligent assembly, installation, rigging, and operation of this product.

**ADJ PRODUCTS LLC World Headquarters**

6122 S. Eastern Ave. | Los Angeles, CA 90040 USA

Tel: 800-322-6337 | Fax: 323-582-2941 | [www.adj.com](http://www.adj.com) | [lsupport@adj.com](mailto:lsupport@adj.com)

**ADJ Supply Europe B.V.**

Junostraat 2 | 6468 EW Kerkrade | Netherlands

Tel: +31 45 546 85 00 | Fax: +31 45 546 85 99 | [www.americandj.eu](http://www.americandj.eu) | [service@americandj.eu](mailto:service@americandj.eu)

Europe Energy Saving Notice

Energy Saving Matters (EuP 2009/125/EC)

Saving electric energy is a key to help protecting the environment. Please turn off all electrical products when they are not in use. To avoid power consumption in idle mode, disconnect all electrical equipment from power when not in use. Thank you!

**DOCUMENT VERSION**



Due to additional product features and/or enhancements, an updated version of this document may be available online.

Please check [www.adj.com](http://www.adj.com) for the latest revision/update of this manual before beginning installation and/or programming.

| Date     | Document Version | Software Version > | DMX Channel Mode | Notes  |
|----------|------------------|--------------------|------------------|--|
| 01/21/22 | 1                | 1.00               | 14 / 18          | Initial Version  |
| 10/28/22 | 2                | N/C                | No Change        | Updated Specifications, IP65 Rated, and Dimensions                   |
| 01/04/23 | 3                | N/C                | No Change        | Added IP Testing Parameters  |
| 06/09/23 | 4                | N/C                | No Change        | Updated General Information, IP65 Rated, System Menu, Specifications |
|          |                  |                    |                  |  |

# CONTENTS

|   |           |
|---|-----------|
| <b>General Information</b>                        | <b>4</b>  |
| <b>Limited Warranty (USA Only)</b>                | <b>5</b>  |
| <b>IP65 Rated</b>                                 | <b>6</b>  |
| <b>Safety Guidelines</b>                          | <b>7</b>  |
| <b>Overview</b>                                   | <b>11</b> |
| <b>Discharge Lamp Warning</b>                     | <b>12</b> |
| <b>Lamp Installation</b>                          | <b>13</b> |
| <b>Torque Settings for Screws</b>                 | <b>14</b> |
| <b>Torque Screw Locations</b>                     | <b>15</b> |
| <b>Color Wheel</b>                                | <b>16</b> |
| <b>Static Gobo Wheel</b>                          | <b>17</b> |
| <b>Fixture Installation</b>                       | <b>18</b> |
| <b>Connections</b>                                | <b>21</b> |
| <b>DMX Set Up</b>                                 | <b>22</b> |
| <b>DMX Addressing</b>                             | <b>23</b> |
| <b>System Menu</b>                                | <b>24</b> |
| <b>Wifly</b>                                      | <b>31</b> |
| <b>DMX Traits: Channel Functions &amp; Values</b> | <b>32</b> |
| <b>Error Codes</b>                                | <b>35</b> |
| <b>Multi Power Linking   Cleaning</b>             | <b>37</b> |
| <b>Specifications</b>                             | <b>38</b> |
| <b>Dimensions</b>                                 | <b>39</b> |
| <b>FCC Statement</b>                              | <b>40</b> |

# GENERAL INFORMATION

## INTRODUCTION

Please read and understand all instructions in this manual carefully and thoroughly before attempting to operate these products. These instructions contain important safety and use information.

## UNPACKING

The products in this kit have been thoroughly tested and have been shipped in perfect operating condition. Carefully check the shipping carton for damage that may have occurred during shipping. If the carton appears to be damaged, carefully inspect each unit included for damage and be sure all accessories necessary to operate the units have arrived intact. In the event damage has been found or parts are missing, please contact our customer support team for further instructions. Please do not return this kit to your dealer without first contacting customer support at the number listed below. Please do not discard the shipping carton in the trash. Please recycle whenever possible.

## WARRANTY RETURNS

All returned service items whether under warranty or not, must be freight pre-paid and accompany a return authorization (R.A.) number. The R.A. number must be clearly written on the outside of the return package. A brief description of the problem as well as the R.A. number must also be written down on a piece of paper and included in the shipping container. If the unit is under warranty, you must provide a copy of your proof of purchase invoice. Items returned without a R.A. number clearly marked on the outside of the package will be refused and returned at customer's expense. You may obtain a R.A. number by contacting customer support.

**ADJ SERVICE USA** - Monday - Friday 8:00am to 4:30pm PST  
Voice: 800-322-6337 | Fax: 323-582-2941 | [support@adj.com](mailto:support@adj.com)

**ADJ SERVICE EUROPE** - Monday - Friday 08:30 to 17:00 CET  
Voice: +31 45 546 85 60 | Fax: +31 45 546 85 96 | [support@adj.eu](mailto:support@adj.eu)

**ADJ PRODUCTS LLC USA**  
6122 S. Eastern Ave. Los Angeles, CA. 90040  
323-582-2650 | Fax 323-532-2941 | [www.adj.com](http://www.adj.com) | [info@adj.com](mailto:info@adj.com)

**ADJ SUPPLY Europe B.V**  
Junostraat 2 6468 EW Kerkrade, The Netherlands  
+31 (0)45 546 85 00 | Fax +31 45 546 85 99  
[www.americandj.eu](http://www.americandj.eu) | [info@americandj.eu](mailto:info@americandj.eu)

**ADJ PRODUCTS GROUP Mexico**  
AV Santa Ana 30 Parque Industrial Lerma, Lerma, Mexico 52000  
+52 (728) 282-7070

**CAUTION!** There are no user serviceable parts inside this unit. Do not attempt any repairs yourself, as doing so will void your manufacturer's warranty. In the unlikely event your unit may require service, please contact ADJ Products, LLC.

The manufacturer recommends powering the fixture down completely when not in use. Doing so will reduce wear on the fixture due to sustained or extended operational periods, thereby maximizing its operational lifespan.

Do not discard the shipping cartoon in the trash. Please recycle when ever possible.

# LIMITED WARRANTY (USA ONLY)

- A. ADJ Products, LLC hereby warrants, to the original purchaser, ADJ Products, LLC products to be free of manufacturing defects in material and workmanship for a prescribed period from the date of purchase (see specific warranty period on reverse). This warranty shall be valid only if the product is purchased within the United States of America, including possessions and territories. It is the owner's responsibility to establish the date and place of purchase by acceptable evidence, at the time service is sought.
- B. For warranty service, you must obtain a Return Authorization number (RA#) before sending back the product-please contact ADJ Products, LLC Service Department at 800-322-6337. Send the product only to the ADJ Products, LLC factory. All shipping charges must be pre-paid. If the requested repairs or service (including parts replacement) are within the terms of this warranty, ADJ Products, LLC will pay return shipping charges only to a designated point within the United States. If the entire instrument is sent, it must be shipped in its original package. No accessories should be shipped with the product. If any accessories are shipped with the product, ADJ Products, LLC shall have no liability whatsoever for loss of or damage to any such accessories, or for the safe return thereof.
- C. This warranty is void if the serial number has been altered or removed; if the product is modified in any manner which ADJ Products, LLC concludes, after inspection, affects the reliability of the product, if the product has been repaired or service by anyone other than ADJ Products, LLC factory unless prior written authorization was issued to purchaser by ADJ Products, LLC; if the product is damaged because not properly maintained as set forth in the instruction manual.
- D. This is not a service contract, and this warranty does not include maintenance, cleaning or periodic check up. During the period specified above, ADJ Products, LLC will replace defective parts at its expense with new or refurbished parts, and will absorb all expenses for warranty service and repair labor by reason of defects in material or workmanship. The sole responsibility of ADJ Products, LLC under this warranty shall be limited to the repair of the product, or replacement thereof, including parts, at the sole discretion of ADJ Products, LLC. All products covered by this warranty were manufactured after August 15, 2012, and bear identifying marks to that effect.
- E. ADJ Products, LLC reserves the right to make changes in design and/or improvements upon its products without any obligation to include these changes in any products theretofore manufactured.
- F. No warranty, whether expressed or implied, is given or made with respect to any accessory supplied with products described above. Except to the extent prohibited by applicable law, all implied warranties made by ADJ Products, LLC in connection with this product, including warranties of merchantability or fitness, are limited in duration to the warranty period set forth above. And no warranties, whether expressed or implied, including warranties of merchantability or fitness, shall apply to this product after said period has expired. The consumer's and/or Dealer's sole remedy shall be such repair or replacement as is expressly provided above; and under no circumstances shall ADJ Products, LLC be liable for any loss or damage, direct or consequential, arising out of the use of, or inability to use, this product.
- G. This warranty is the only written warranty applicable to ADJ Products, LLC Products and supersedes all prior warranties and written descriptions of warranty terms and conditions heretofore published.

## LIMITED WARRANTY PERIODS

- **Non L.E.D. Lighting Products = 1-year (365 days) Limited Warranty** (Such as: Special Effect Lighting, Intelligent Lighting, UV lighting, Strobes, Fog Machines, Bubble Machines, Mirror Balls, Par Cans, Trussing, Lighting Stands etc. excluding LED and lamps)
- **Laser Products = 1 Year (365 Days) Limited Warranty** (excludes laser diodes which have 6 month limited warranty)
- **L.E.D. Products = 2-year (730 days) Limited Warranty** (excluding batteries which have a 180 day limited warranty)  
Note: 2 Year Warranty only applies to purchases within the United States.
- **StarTec Series = 1 Year Limited Warranty** (excluding batteries which have a 180 day limited warranty)
- **ADJ DMX Controllers = 2 Year (730 Days) Limited Warranty**

# IP65 RATED

The **International Protection (IP)** rating system is commonly expressed as “**IP**” (Ingress Protection) followed by two numbers (i.e. IP65), where the numbers define the degree of protection. The first digit (Foreign Bodies Protection) indicates the extent of protection against particles entering the fixture, and the second digit (Water Protection) indicates the extent of protection against water entering the fixture. An **IP65** rated lighting fixture is designed and tested to protect against the ingress of dust (6), and low-pressure water jets from any direction (5).

**NOTE: THIS FIXTURE IS INTENDED FOR TEMPORARY OUTDOOR USE ONLY!**

**Maritime/Coastal Environment Installations:** A coastal environment is seaside adjacent, and caustic to electronics through exposure to atomized salt-water and humidity, whereas maritime is anywhere within 5-miles of a coastal environment.



**NOT suitable for maritime/coastal environment installations. Installing this fixture in a maritime/coastal environment may cause corrosion and/or excessive wear to the interior and/or exterior components of the fixture. Damages and/or performance issues resulting from installation in a maritime/coastal environment will void the manufactures warranty, and will NOT be subject to any warranty claims and/or repairs.**

Maritime installations require additional preparation, and additional service intervals may be needed given the maritime use. In general, IP ratings presuppose freshwater conditions VS maritime conditions, which are typically more “caustic” to IP fixtures (both internally and externally). A duty-cycle may also be needed when units are not in use. During times of high humidity and colder temperatures, condensation may occur internally so the fixture may require a duty-cycle to bring it up to running temperature, allowing any accumulation of moisture to be expelled via the vent valve. Recommendations can change based on installation environmental circumstances. A waterproof dome or similar device is recommended for use in permanent outdoor installations. When using a dome, refer to manufacturer recommendations for duty-cycle.

**NOTE: NOT ALL FEATURES LISTED ARE AVAILABLE ON ALL FIXTURES; THE FOLLOWING INSTRUCTIONS MAY NOT APPLY. CONTACT SUPPORT FOR ADDITIONAL DETAILS.**

**Exterior Maintenance:** Inspect the exterior every 30-days. The unit must be powered off/disconnected. Inspect optics to determine if the lens is obstructed, then clean optics and chassis accordingly. Based on initial finding, schedule maintenance accordingly, keeping in mind that exterior maintenance will be required. Even if the luminaires are NOT in use, maintenance will still be needed given its location (exterior use). The use of a durable type of wax on the chassis is recommended since it will help prevent contaminant build up. Inspect both power and data lines for any signs of contaminants or corrosion. Periodically reapplying di-electric grease, especially in coastal environments. If any signs of corrosion/contaminants are present, clean thoroughly, and/or replace connectors, then reapply di-electric grease. Typically, this should be done annually, or any time an opportunity presents itself. As a preventive measure, annual replacement of both vent valves is recommended. The vent valve membrane can become contaminated and/or clogged causing improper venting of humidity within the luminaire. Inspect all mounting hardware as a precaution.

**Interior Maintenance:** Inspect the interior every 30-days. The unit must be powered off/disconnected.

- Inspect zoom/focus mechanism, clean optics, lubricate linear bearings (Krytox oil) as needed, inspect belts for wear
- Inspect all rotating effect wheels, manually rotate them, note any resistance
- Inspect all remaining rotating belts for any wear
- Inspect all fans, clean as needed, check rotation, check connections
- Inspect CMY module, manually move flags and check for signs of resistance, and if needed, clean guide rods first, then reapply a thin layer of grease (moly lube)
- Clean interior with low-volume compressed air, then clean optics prior to reassembly of head covers

Although the base has limited moving parts, the pan belt should also be inspected for wear. Remember to always perform an IP test anytime a cover is removed.

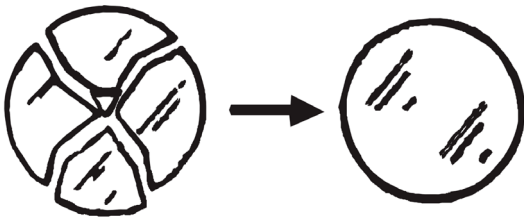
There is no specific time frame regarding the routine replacement of parts such as belts/stepper motors, PCBs, or LEDs. These items should only be replaced on an as needed bases, except for cooling fans, which should be replaced once the luminaries reach 10,000-hours. This is a prophylactic measure intended to keep the unit running as cool as possible, insuring proper function of all internal components. A complete service breakdown is available, please contact [service@adj.com](mailto:service@adj.com) for any needed parts or manuals.



# SAFETY GUIDELINES

**FOR YOUR OWN PERSONAL SAFETY, PLEASE READ AND UNDERSTAND THIS MANUAL COMPLETELY BEFORE YOU ATTEMPT TO INSTALL OR OPERATE THIS UNIT!**

- **THERE ARE NO USER SERVICEABLE PARTS INSIDE THIS UNIT. DO NOT ATTEMPT ANY REPAIRS YOURSELF; DOING SO WILL VOID YOUR MANUFACTURES WARRANTY. DAMAGES RESULTING FROM MODIFICATIONS TO THIS FIXTURE AND/OR THE DISREGARD OF SAFETY INSTRUCTIONS AND GUIDELINES IN THIS MANUAL VOID THE MANUFACTURES WARRANTY AND ARE NOT SUBJECT TO ANY WARRANTY CLAIMS AND/OR REPAIRS.**
- **DO NOT PLUG THE FIXTURE INTO A DIMMER PACK! NEVER OPEN THIS FIXTURE WHILE IN USE! UNPLUG POWER BEFORE SERVICING FIXTURE! NEVER TOUCH THE FIXTURE DURING OPERATION AS IT MAY BE HOT! KEEP FLAMMABLE MATERIALS AWAY FROM FIXTURE! ENSURE ALL CONNECTIONS AND END CAPS ARE PROPERLY SEALED WITH A DIELECTRIC GREASE (AVAILABLE AT MOST ELECTRICAL SUPPLIERS) TO PREVENT WATER CORROSION AND/OR ELECTRICAL SHORT CIRCUIT.**
- **IF THE FIXTURE IS EXPOSED TO ENVIRONMENTAL TEMPERATURE CHANGES SUCH AS RELOCATION FROM AN OUTDOOR COLD TO AN INDOOR WARM ENVIRONMENT, DO NOT POWER THE FIXTURE ON IMMEDIATELY. INTERNAL CONDENSATION AS A RESULT OF ENVIRONMENTAL TEMPERATURE CHANGE CAN CAUSE INTERNAL FIXTURE DAMAGE. LEAVE THE FIXTURE POWERED OFF UNTIL IT HAS REACHED ROOM TEMPERATURE BEFORE POWERING ON.**
- **NEVER LOOK DIRECTLY INTO THE LIGHT SOURCE! RETINA INJURY RISK - MAY INDUCE BLINDNESS SENSITIVE PERSONS MAY SUFFER AN EPILEPTIC SHOCK!**



**Ø6.0" (Ø152mm) ROUND**

- Replace shields, lenses or ultraviolet screens if they have become visibly damaged to such an extent that their effectiveness is impaired, for example by cracks or deep scratches.
- Change the lamp if it has become damaged or thermally deformed.
- The luminaire is intended for professional use only.
- The light source contained in this luminaire shall only be replaced by the manufacturer, qualified service agent, or a similar qualified technician.
- Reinforced insulation is located between LV supply and DMX dimming control circuit.
- No insulation located between SELV circuit and DMX dimming control circuit.
- Be sure that the local power outlet is compatible with the required voltage for your unit. • Do not attempt to operate this unit if the power cord has been frayed or broken.
- Do not attempt to remove or break off the ground prong from the electrical cord. internal short.
- Disconnect from main power before making any type of connection.
- Do not remove the cover under any conditions. There are no user serviceable parts inside. • Never operate this unit when it's cover is removed.
- Always be sure to mount this unit in an area that will allow proper ventilation. Allow about 7.9" (20cm) between this device and a wall.
- Do not attempt to operate this unit, if it becomes damaged. • Always mount this unit in safe and stable matter.
- Power-supply cords should be routed so that they are not likely to be walked on or pinched by items placed upon or against them, paying particular attention to cords at plugs, convenience receptacles, and the point where they exit from the appliance.
- Cleaning -The fixture should be cleaned only as recommended by the manufacturer.
- Heat -This fixture should be situated away from heat sources such as radiators, heat registers, stoves, or other appliances (including amplifiers) that produce heat.
- The fixture should be serviced by qualified service personnel when the appliance does not appear to operate normally or exhibits a marked change in performance.

# SAFETY GUIDELINES

To guarantee a smooth operation, it is important to follow all instructions and guidelines in this manual. ADJ Products, LLC is not responsible for injury and/or damages resulting from the misuse of this fixture due to the disregard of the information printed in this manual. Only qualified and/or certified personnel should perform installation of this fixture and only the original rigging parts included with this fixture should be used for installation. Any modifications to the fixture and/or the included mounting hardware will void the original manufactures warranty and increase the risk of damage and/or personal injury.



## **PROTECTION CLASS 1 - FIXTURE MUST BE PROPERLY GROUNDED**



**THERE ARE NO USER SERVICEABLE PARTS INSIDE THIS UNIT. DO NOT ATTEMPT ANY REPAIRS YOURSELF; DOING SO WILL VOID YOUR MANUFACTURES WARRANTY. DAMAGES RESULTING FROM MODIFICATIONS TO THIS FIXTURE AND/OR THE DISREGARD OF SAFETY INSTRUCTIONS AND GUIDELINES IN THIS MANUAL VOID THE MANUFACTURES WARRANTY AND ARE NOT SUBJECT TO ANY WARRANTY CLAIMS AND/OR REPAIRS.**



**DO NOT PLUG FIXTURE INTO A DIMMER PACK!  
NEVER OPEN THIS FIXTURE WHILE IN USE!  
UNPLUG POWER BEFORE SERVICING FIXTURE!  
NEVER TOUCH FIXTURE DURING OPERATION AS IT MAY BE HOT!**

**Maximum ambient temperature is  $T_a$ : 40°C. DO NOT operate it where the temperature is higher than this. Unit surface temperature may reach up to 75°C. DO NOT touch the housing bare-hand during its operation. Turn off the power and allow about 15 minutes for the unit to cool down before replacing or serving.**

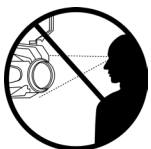
**KEEP FLAMMABLE MATERIALS AWAY FROM FIXTURE!**



**ENSURE ALL CONNECTIONS AND END CAPS ARE PROPERLY SEALED WITH A DIELECTRIC GREASE (AVAILABLE AT MOST ELECTRICAL SUPPLIERS) TO PREVENT WATER CORROSION AND/OR ELECTRICAL SHORT CIRCUIT.**



**IF THE FIXTURE IS EXPOSED TO ENVIRONMENTAL TEMPERATURE CHANGES SUCH AS RELOCATION FROM AN OUTDOOR COLD TO AN INDOOR WARM ENVIRONMENT, DO NOT POWER THE FIXTURE ON IMMEDIATELY. INTERNAL CONDENSATION AS A RESULT OF ENVIRONMENTAL TEMPERATURE CHANGE CAN CAUSE INTERNAL FIXTURE DAMAGE. LEAVE THE FIXTURE POWERED OFF UNTIL IT HAS REACHED ROOM TEMPERATURE BEFORE POWERING ON.**



**NEVER LOOK DIRECTLY INTO THE LIGHT SOURCE! RETINA INJURY RISK - MAY INDUCE BLINDNESS! SENSITIVE PERSONS MAY SUFFER AN EPILEPTIC SHOCK! THIS IS A RISK GROUP 3 (HIGH RISK) PRODUCT ACCORDING TO EN 62471 AND IEC/TR 62778. THE LUMINAIRE SHOULD BE POSITIONED 63 METERS OR MORE FROM THE OUTPUT OF THE FIXTURE TO REDUCE OR ELIMINATE EXPOSURE.**



# SAFETY GUIDELINES

## **CAUTION**

### **HIGH INTENSITY ULTRAVIOLET LIGHT**



AVOID DIRECT EYE & SKIN EXPOSURE.  
WEAR PROPER EYE & SKIN PROTECTION.  
SEE MANUAL FOR SAFETY INSTRUCTIONS

**RISK GROUP 3 - RISK OF EXPOSURE TO ULTRAVIOLET UV RADIATION! FIXTURE EMITS HIGH INTENSITY WAVELENGTH OF ULTRAVIOLET UV LIGHT FROM THE UV COLOR FILTER. WEAR PROPER EYE AND SKIN PROTECTION. AVOID PROLONGED PERIODS OF EXPOSURE TO UV COLOR FILTER. AVOID WEARING WHITE COLOR CLOTHING AND/OR USING UV PAINTS ON SKIN. AVOID DIRECT EYE AND/OR SKIN**

**EXPOSURE AT DISTANCES LESS THAN 11 feet (3.3m). DO NOT OPERATE FIXTURE WITH DAMAGED/MISSING EXTERNAL COVERS. DO NOT LOOK DIRECTLY INTO THE UV LIGHT AND/OR VIEW UV LIGHT DIRECTLY WITH OPTICAL INSTRUMENTS THAT MAY CONCENTRATE THE LIGHT/RADIATION OUTPUT. INDIVIDUALS SUFFERING FROM A RANGE OF EYE CONDITIONS, SUNLIGHT EXPOSURE DIS-ORDERS, OR INDIVIDUALS USING PHOTSENSITIVE MEDICATION, MAY RECEIVE DISCOMFORT IF EXPOSED TO THE ULTRAVIOLET UV LIGHT EMITTED FROM THE UV LED.**

**DO NOT TOUCH** the fixture housing during operation. Turn OFF the power and allow approximately 15 minutes for the fixture to cool down before servicing.

**DO NOT** shake fixture; avoid brute force when installing and/or operating fixture.

**DO NOT** operate fixture if the power cord has become frayed, crimped, damaged and/or if any of the power cord connectors are damaged and do not insert into the fixture securely with ease.

**NEVER** force a power cord connector into the fixture. If the power cord or any of its connectors are damaged, replace it immediately with a new one of similar power rating.

**DO NOT** block any air ventilation slots; these must remain clean and never blocked. Allow approx. 7.9" (20cm) between fixture and other devices or a wall for proper cooling.

When installing fixture in a suspended environment, always use mounting hardware that is no less than M10 x 25 mm, and always attach an appropriately rated safety cable.

**ALWAYS** disconnect fixture from main power source before performing any type of service and/or cleaning procedure. Only handle the power cord by the plug end; never pull out the plug by tugging the wire portion of the cord.

During the initial operation of this fixture, a light smoke or smell may emit from the interior of the fixture. This is a normal process and is caused by excess paint in the interior of the casing burning off from the heat associated with the lamp and will decrease gradually over time.

Consistent operational breaks will ensure fixture will function properly for many years. **ONLY** use the original packaging and materials to transport the fixture in for service.

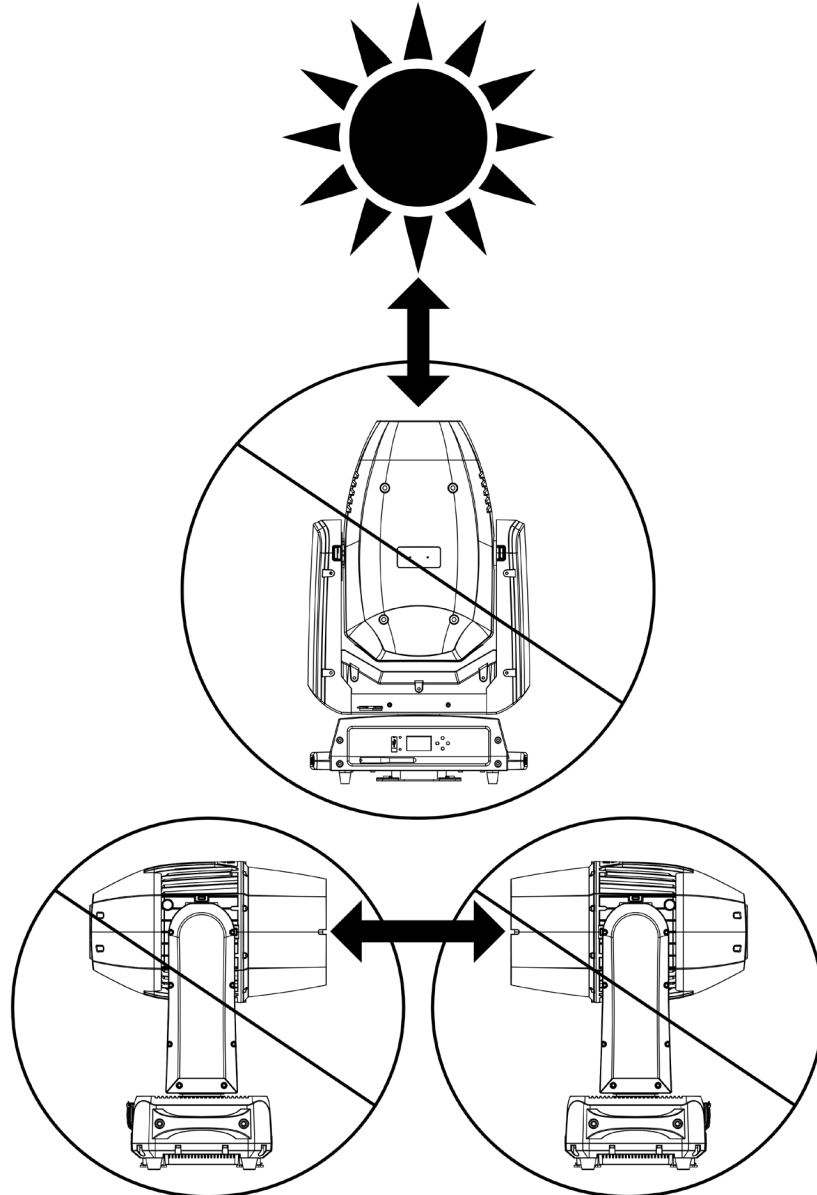
# SAFETY GUIDELINES

## POTENTIAL INTERNAL FIXTURE DAMAGE FROM EXTERNAL SOURCES OF LIGHT BEAMS

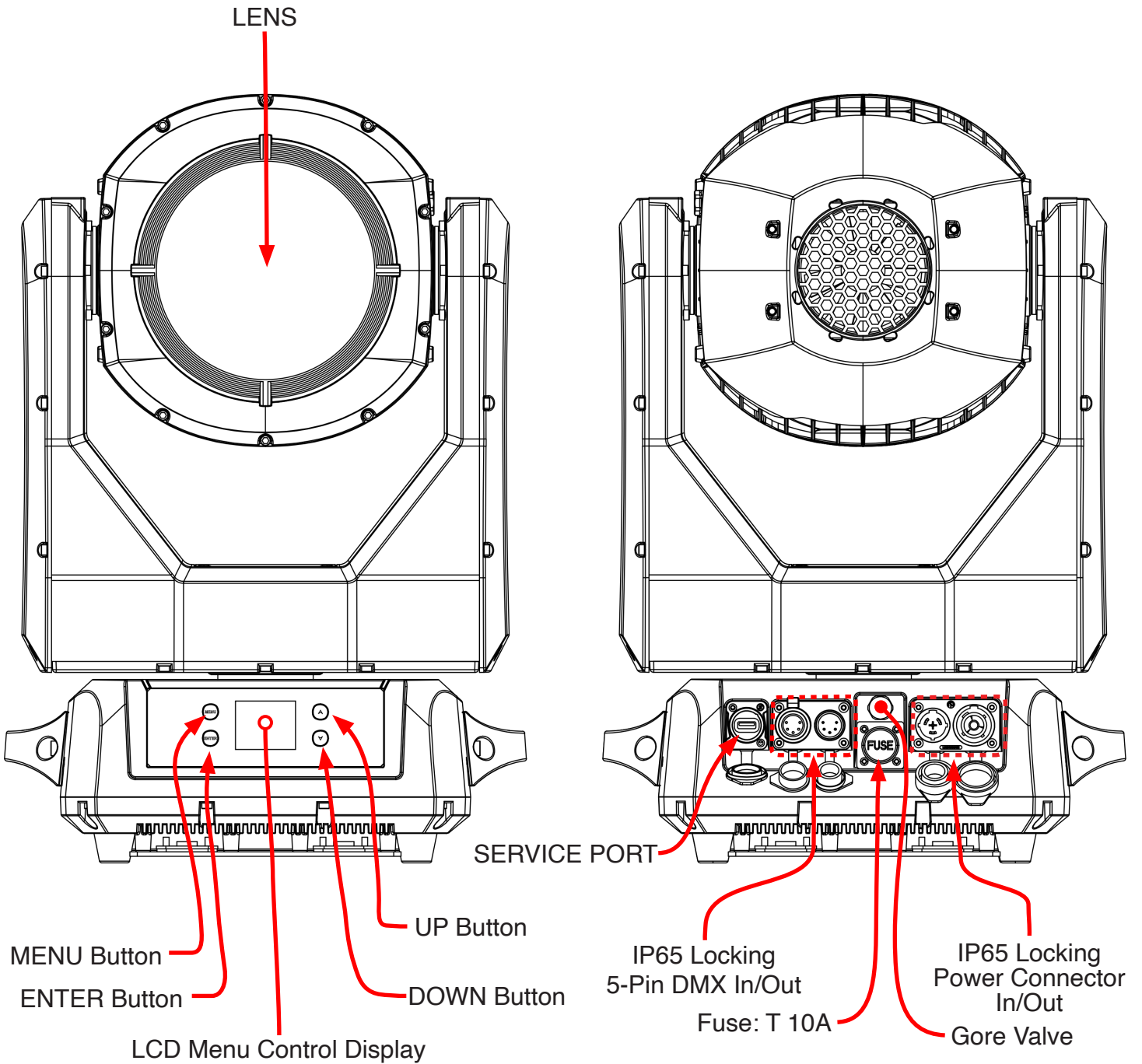
External sources of light beams from direct sunlight, lighting moving head fixtures, and lasers, which are focused directly towards the exterior housing and/or penetrate the front lens opening of ADJ lighting fixtures, can cause severe internal damage including burning to optics, dichroic color filters, glass and metal gobos, prisms, animation wheels, frost filters, iris, shutters, motors, belts, wiring, discharge lamps, and LEDs.

This issue is not specific only to ADJ lighting fixtures, it is a common issue with lighting fixtures from all manufacturers. Although there is no true way to fully prevent this issue from happening, the guidelines below can prevent any potential damage from occurring if followed. Contact ADJ Service for more details.

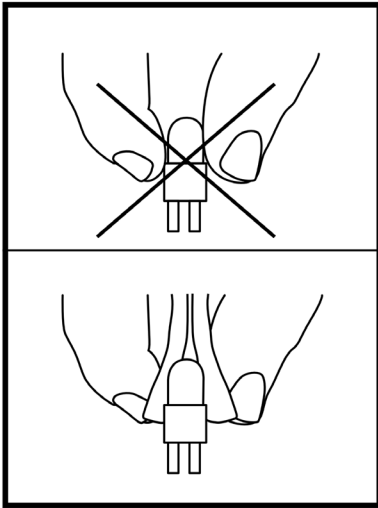
**DO NOT EXPOSE THE FIXTURE AND/OR FRONT LENS OPENING TO LIGHT BEAMS FROM DIRECT SUNLIGHT, OTHER LIGHTING MOVING HEAD FIXTURES, AND LASERS WHILE UNPACKING, INSTALLATION, USE, AND EXTENDED IDLE TIMES OUTDOORS.**  
**DO NOT FOCUS A LIGHT BEAM FROM ONE LIGHTING FIXTURE DIRECTLY TOWARDS ANOTHER.**



# OVERVIEW



## DISCHARGE LAMP WARNING



This fixture is fitted with a DISCHARGE LAMP, which is highly susceptible to damage if improperly handled. NEVER touch the lamp with your bare hands as the oil from your hands will shorten the life of the lamp. Also, NEVER move the fixture until the lamp has had ample time to cool. Lamps are NOT covered under warranty conditions. Avoid switching the fixture ON and OFF repeatedly in short intervals as this will reduce lamp life and intensity. To achieve the intensity associated with discharge lamps, these lamps use gas sealed in a high-pressure environment to emit a brilliant output.

Due to the high pressure involved with the construction of the lamp, the lamp MAY EXPLODE DURING PROLONGED EXTENSIVE USE. This risk is increased with age; added care is encouraged when dealing with older lamps. Thus, the lamp must always be replaced at the end of their recommended duty cycle. Extreme caution should be used when operating this or any fixture fitted with a gas discharge lamp.



### UV RADIATION NOTICE

This fixture emits intense UV radiation, which is harmful to the eyes and skin. The intense luminescence of the lamp can cause severe damage to the retina. NEVER operate this fixture with ANY of the protective covers removed. These covers have been specially designed to shield against UV radiation.

## LAMP REPLACEMENT WARNING

**NOTE:** The lamp life is represented in “Percentages”.

When the unit reaches 15% of lamp life left, the display will flash the message, “**Replace The Lamp Soon**”. This message will flash for up to 10 minutes. To confirm this warning and return to normal operation, press the **ENTER** button.

When the unit reaches 10% of lamp life left, the display will again flash the message, “**Replace The Lamp Soon**”. This message will flash for up to 10 minutes. To confirm this warning and return to normal operation, press the **ENTER** button.

**NOTE:** When the fixture is powered OFF and then back ON again, the fixture display will flash the following message: “**Replace The Lamp Soon**”.

When the unit reaches between 5%-0% of lamp life left, the display will flash the message “**Replace The Lamp Immediately**”. The unit will now NO longer respond to DMX commands and enter hibernation mode which will discontinue all fixture functionality with the exception of a few menu commands. The fixture will continue to enter into hibernation mode until the lamp is replaced and the lamp time (**LAMP ON TIME-R**) has been reset. See page 36 “**LAMP ON TIME-R**” under the “**TOTAL LAMP TIME**” submenu.

**NOTE:** After replacing the lamp, the lamp time **MUST** be reset. The lamp time must be reset to gain access to the full system menu.



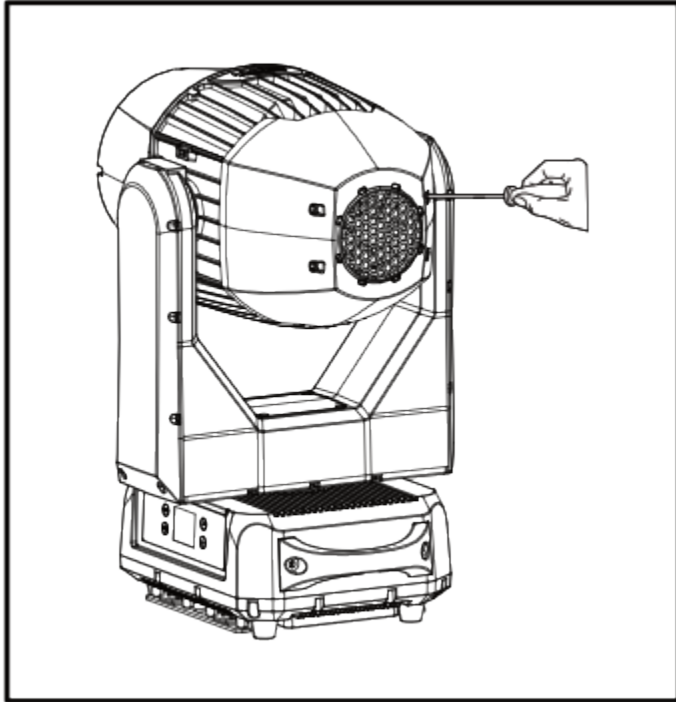
Lamp Life may vary depending on several factors including but not limited to: Environmental Conditions, Power/Voltage, Usage Patterns (On-Off Cycling), Control, and Dimming.

# LAMP INSTALLATION

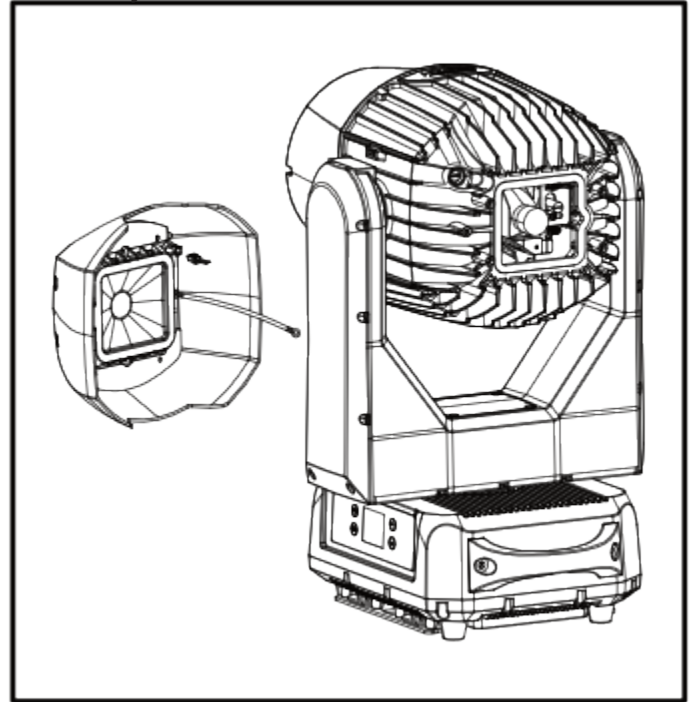


**WARNING! LAMP REPLACEMENT SHOULD ONLY BE DONE BY A TRAINED TECHNICIAN.**

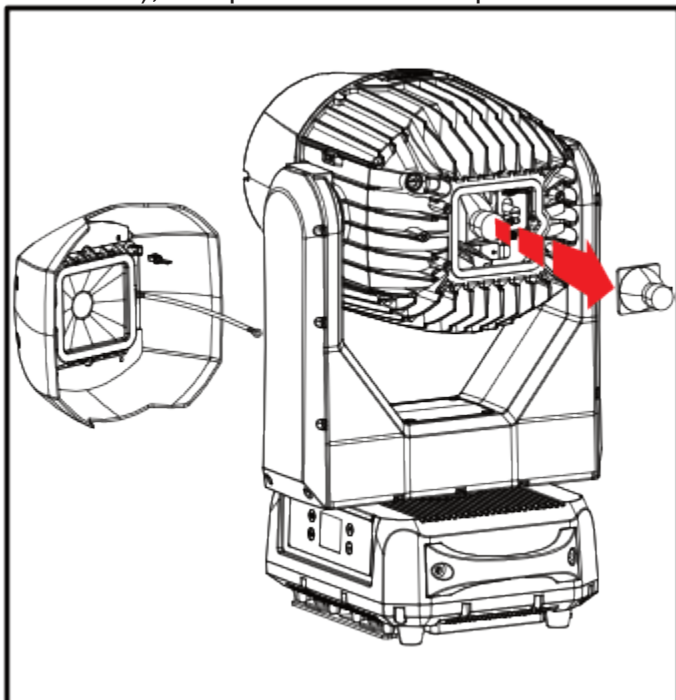
1. Turn OFF power and allow approximately 15 minutes for the fixture to cool down.



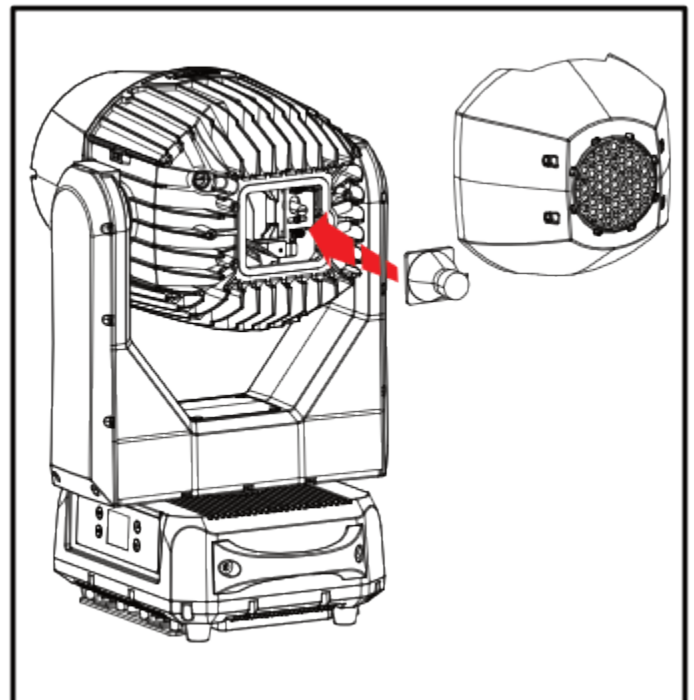
2. Loosen the screws on the head of the fixture and open the fixture head covers. Unplug the fan and loosen the screw that secures the safety cable.



3. Loosen the screw that holds the lamp in place. Unplug the leads and lift the lamp out of its recess. Connect leads to the new lamp (same model), and place into the lamp recess.



4. Reinstall the head panel, fastening it securely before reapplying power.





# TORQUE SETTINGS FOR SCREWS

**ALL SCREWS MUST BE TIGHTENED WITH A TORQUE DRIVER.** All screws are Allen Head screws. Please see below for screw locations, screw quantity and torque settings. The number listed in the “#” column corresponds to the location on the fixture. See the fixture diagram and number on the next page for **SCREW LOCATION** depictions.

|   |  |                              |
|---|--|------------------------------|
| 1 | Lens Assembly to Head Casting (x10)                      | 6.5-8.7 In-Lb / 3mm Hex      |
| 2 | Lamp Cover to Head Casting (x4)                          | 6.7-9.6 In-Lb / 4mm Hex      |
| 3 | Yoke Arm Cover to Yoke Frame (11 x Each Side = 22 Total) | 6.5-8.7 In-Lb / 3mm Hex      |
| 4 | Access Cover to Yoke Frame (x4)                          | Manual Screwdriver / 3mm Hex |
| 5 | Bottom Cover to Base Casting (x12)                       | 6.7-9.6 In-Lb / 3mm Hex      |
| 6 | Power & Data Connector to Base Casting (x14)             | 6.5-8.7 In-Lb / Torx T8      |
| 7 | 1/4 Turn Adapter Plate to Bottom Cover (x16)             | 6.5-8.7 In-Lb / 3mm Hex      |

**TORQUE DRIVERS (Recommended): UTICA TS-30 (Shown)**

**ALTERNATIVE DRIVERS:**

Proto J6107A

Wiha 28887



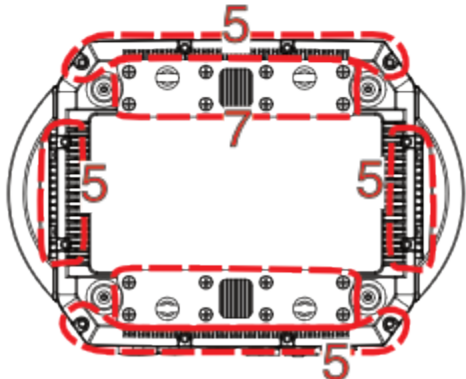
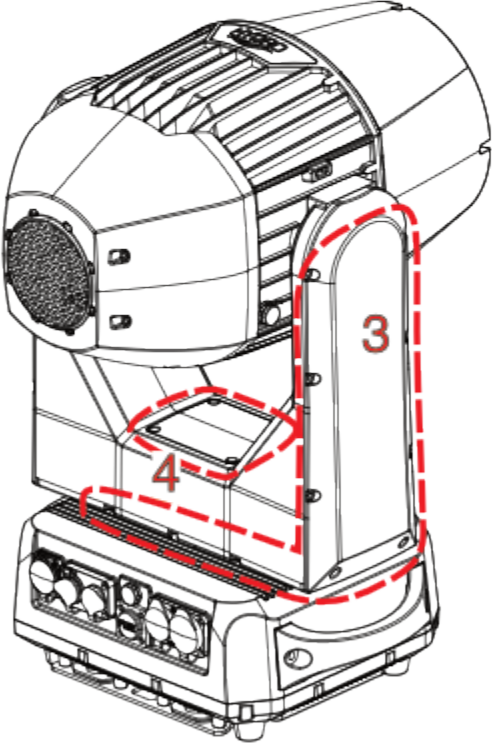
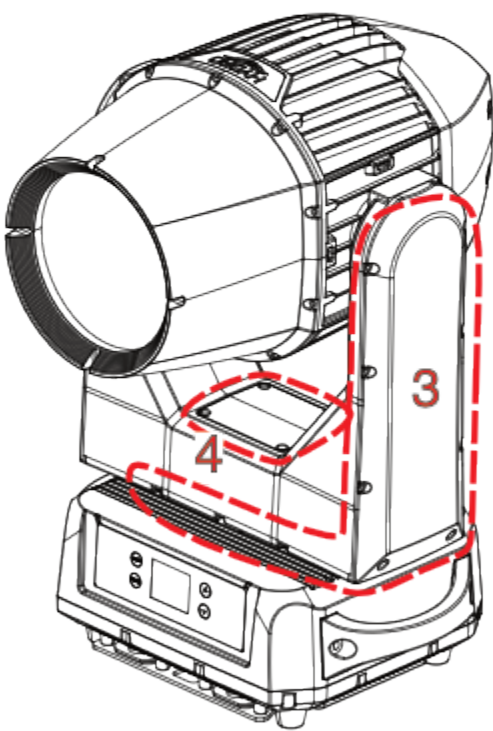
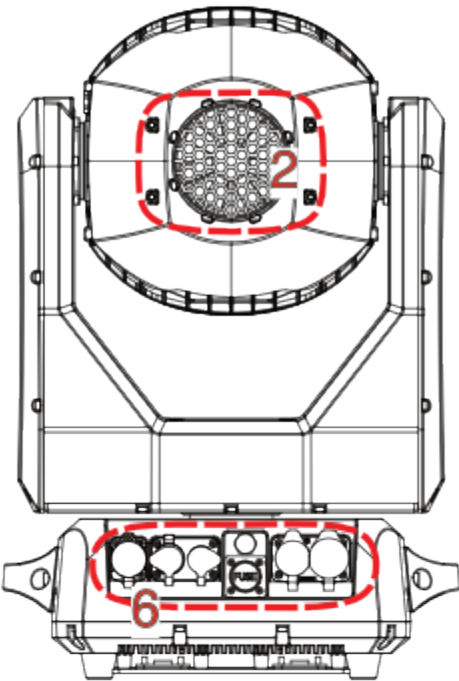
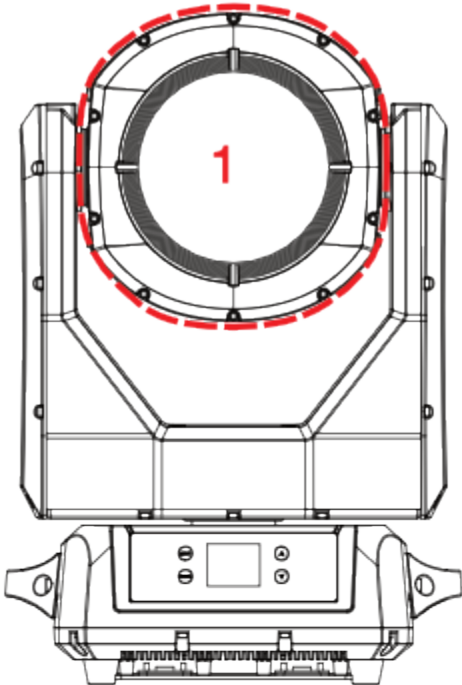
**CAUTION! DO NOT OVER TORQUE SCREWS AS THIS CAN CAUSE LEAKAGE ISSUES! TO CONFIRM THE IP65 INTEGRITY AFTER A LAMP REPLACEMENT, TEST THE FIXTURE USING THE ELATION IP TESTER. CONTACT ELATION SERVICE FOR MORE DETAILS.**

| Hydro Beam X12 IP Testing Parameters |              |               |              |
|--------------------------------------|--------------|---------------|--------------|
| Vacuum(KPA)                          | Hold time(S) | Pressure(KPA) | Hold time(S) |
| -30KPA                               | 60S          | 13KPA         | 60S          |

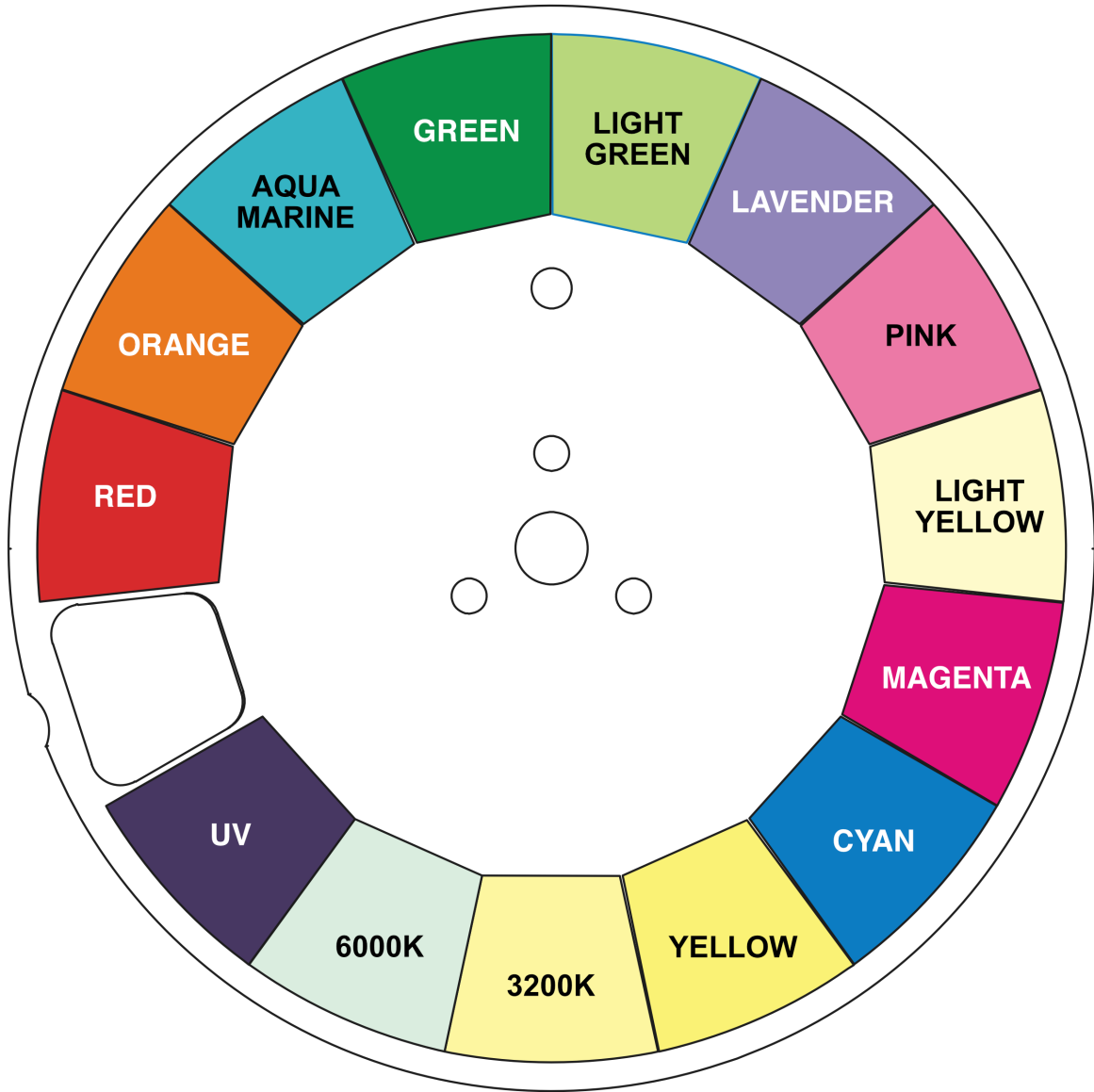




# TORQUE SCREW LOCATIONS



# COLOR WHEEL





## FIXTURE INSTALLATION



### FLAMMABLE MATERIAL WARNING

Keep fixture at least 7.9in. (0.2m) away from any flammable materials, decorations, pyrotechnics, etc.



### ELECTRICAL CONNECTIONS

A qualified electrician should be used for all electrical connections and/or installations.



**MINIMUM DISTANCE TO OBJECTS/SURFACES MUST BE 40 FEET (12 METERS)**



**MAXIMUM TEMPERATURE OF EXTERNAL SURFACE 167°F (75°C)**

### DO NOT INSTALL THE FIXTURE IF YOU ARE NOT QUALIFIED TO DO SO!

Fixture **MUST** be installed following all local, national, and country commercial electrical and construction codes and regulations. Before rigging/mounting the fixture to any metal truss/structure or placing the fixture on any surface, a professional equipment installer **MUST** be consulted to determine if the metal truss/structure or surface is properly certified to safely hold the combined weight of the fixture, clamps, cables, and accessories.

Overhead fixture installation must always be secured with a secondary safety attachment, such as an appropriately rated safety cable that meets all local, national, and country codes and regulations.

Fixture ambient operating temperature range is **-4°F to 104°F. (-20°C to 40°C)** Do not use this fixture outside this temperature range.

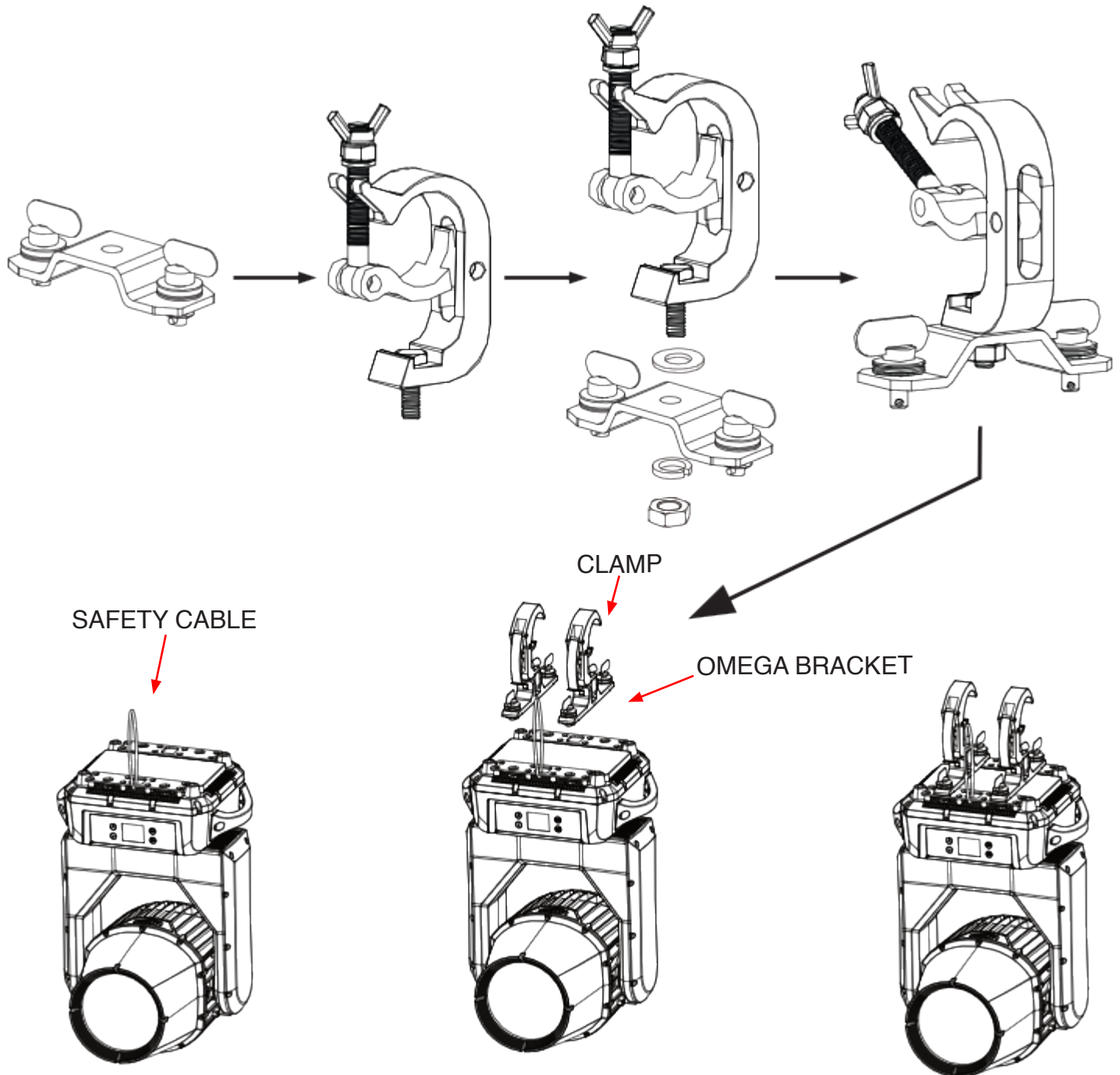
Fixture should be installed in areas outside walking paths, seating areas, or away from areas where unauthorized personnel might reach the fixture by hand.

**NEVER** stand directly below the fixture when rigging, removing, or servicing.

Allow approximately 15-minutes for the fixture to cool down before servicing.

## FIXTURE INSTALLATION

**NOTICE:** The suitable environmental temperature for this lighting fixture is between  $-20^{\circ}\text{C}$  to  $40^{\circ}\text{C}$ . Do not place this lighting fixture in an environment where the temperatures are under or above the temperatures stated above. This will allow the fixture to run at its best and help prolong the fixture life.



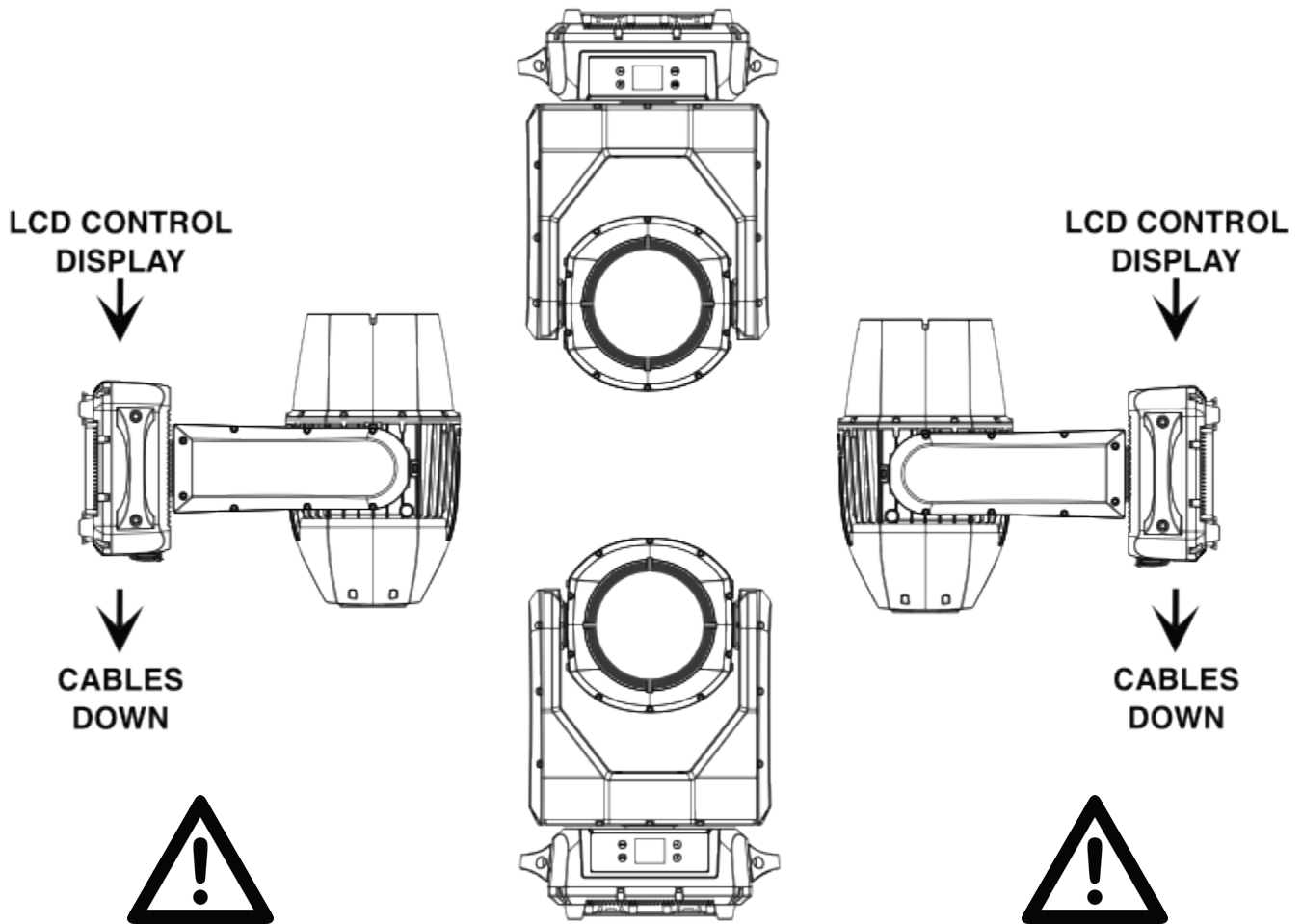
Screw one clamp via a M12 screw and nut into the Omega holder. Insert the quick-lock fasteners of the Omega holder into the respective holes of the adjustable mounting bracket. Tighten the quick-lock fasteners fully clockwise. Pull the safety-cable through the opening located on the bottom of the unit and over the trussing system or a safe fixation spot. Insert the end in the carabiner and tighten the safety screw.

# FIXTURE INSTALLATION

When installing the unit, the trussing or area of installation must be able to hold 10 times the weight without any deformation. When installing the unit must be secured with a secondary safety attachment, e.g. and appropriate safety cable. Never stand directly below the unit when mounting, removing, or servicing the unit.

Overhead mounting requires extensive experience, including calculating working load limits, installation material being used, and periodic safety inspection of all installation material and unit. If you lack these qualifications, do not attempt the installation yourself.

These installations should be checked by a skilled person once a year.



## \*SIDE MOUNTING

TO MAINTAIN IP65 RATING INTEGRITY, FIXTURE MUST BE INSTALLED WITH CABLES FACING THE GROUND AT ALL TIMES. WATER MUST EASILY RUN OFF AND NOT COLLECT AROUND CABLE CONNECTIONS.

## \*SAFETY CABLE

ALWAYS ATTACH A SAFETY CABLE WHENEVER INSTALLING THIS FIXTURE IN A SUSPENDED ENVIRONMENT TO ENSURE THE FIXTURE WILL NOT DROP IF THE CLAMP FAILS.

The Hydro Beam X12 is fully operational in three different mounting positions, hanging upside-down, mounted sideways on trussing, or set on a flat level surface. Be sure this fixture is kept at least 0.2m (7.9in.) away from any flammable materials (decoration etc.). Always use and install the supplied safety cable as a safety measure to prevent accidental damage and/or injury in the event the clamp fails (see next page). Never use the carrying handles for secondary attachment.

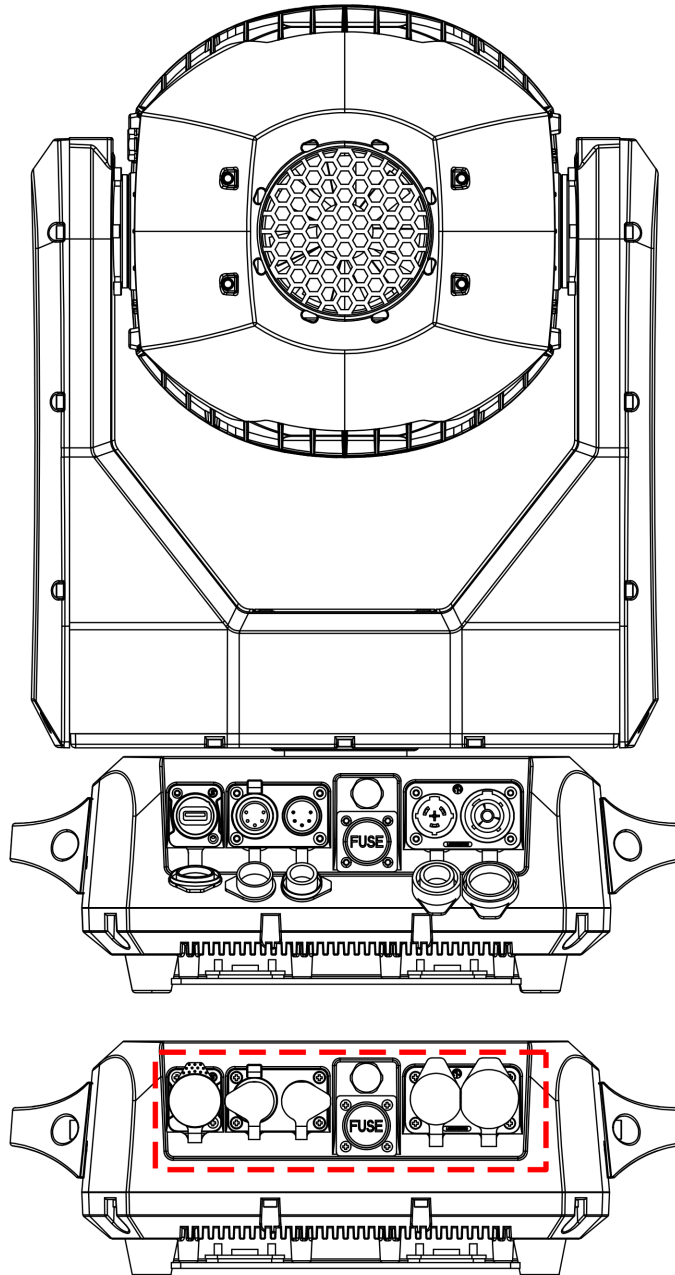


## CONNECTIONS

ENSURE ALL CONNECTIONS AND END CAPS ARE PROPERLY SEALED WITH A DIELECTRIC GREASE (AVAILABLE AT MOST ELECTRICAL SUPPLIERS) TO PREVENT WATER CORROSION AND/OR ELECTRICAL SHORT CIRCUIT.

TO MAINTAIN IP65 RATING INTEGRITY AND PREVENT WATER FROM ENTERING THE FIXTURE, ALL UNUSED CONNECTION RUBBER CAPS MUST BE SEALED.

PLEASE NOTE, UNIT IS INTENDED FOR TEMPORARY OUTDOOR USE ONLY!

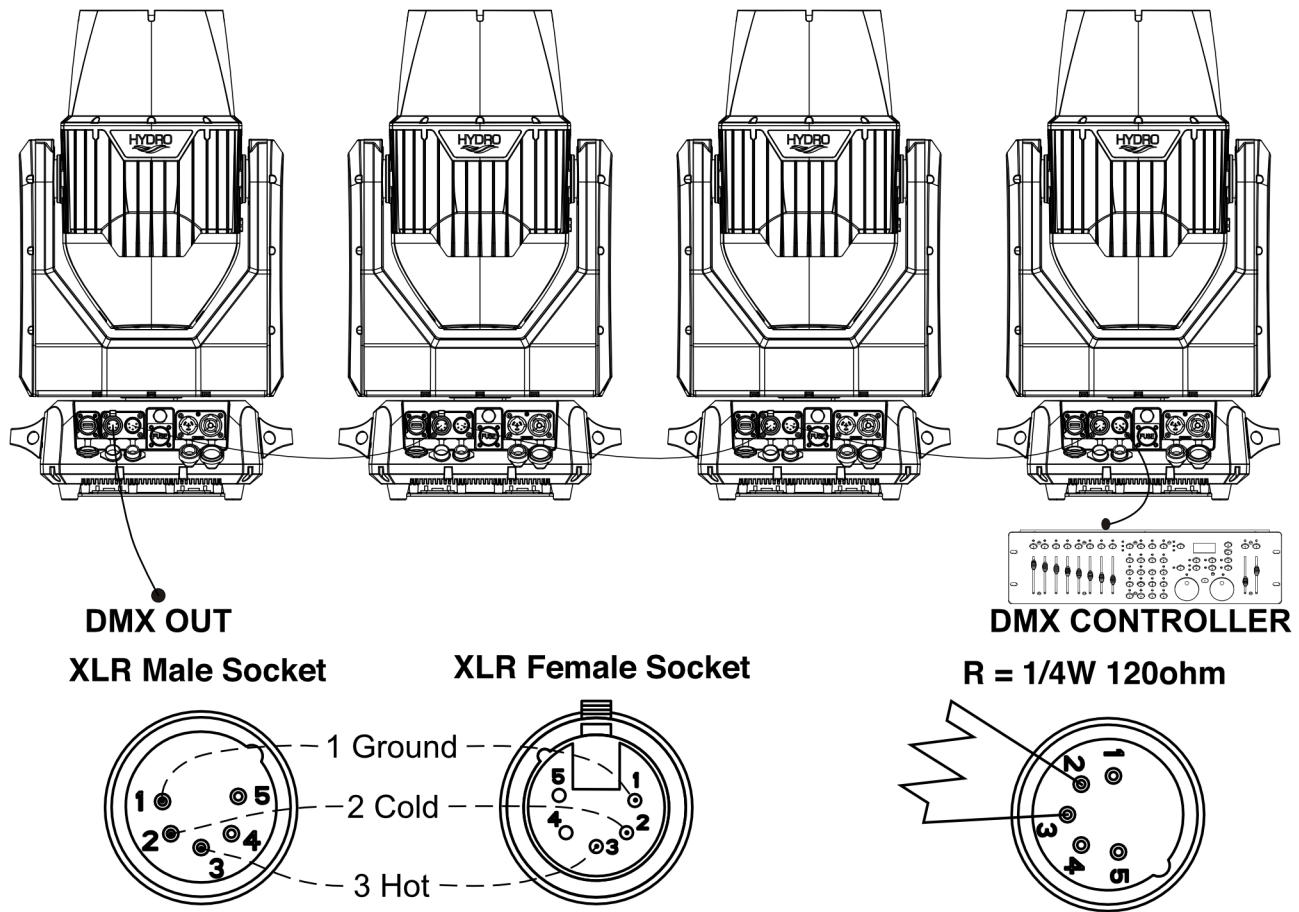


# DMX SETUP

**DMX-512:** DMX is short for Digital Multiplex. This is a universal protocol used as a form of communication between intelligent fixtures and controllers. A DMX controller sends DMX data instructions from the controller to the fixture. DMX data is sent as serial data that travels from fixture to fixture via the DATA “IN” and DATA “OUT” XLR terminals located on all DMX fixtures (most controllers only have a DATA “OUT” terminal).

**DMX Linking:** DMX is a language allowing all makes and models of different manufactures to be linked together and operate from a single controller, as long as all fixtures and the controller are DMX compliant. To ensure proper DMX data transmission, when using several DMX fixtures try to use the shortest cable path possible. The order in which fixtures are connected in a DMX line does not influence the DMX addressing. For example; a fixture assigned a DMX address of 1 may be placed anywhere in a DMX line, at the beginning, at the end, or anywhere in the middle. When a fixture is assigned a DMX address of 1, the DMX controller knows to send DATA assigned to address 1 to that unit, no matter where it is located in the DMX chain.

**Data Cable (DMX Cable) Requirements (For DMX Operation):** The Hydro BeamX2 can be controlled via DMX-512 protocol. Your unit and your DMX controller requires a 5-pin XLR connector for data input/output. We recommend Accu-Cable DMX cables. If you are making your own cables, be sure to use standard 110-120 Ohm shielded cable (This cable may be purchased at almost all pro lighting stores). Your cables should be made with a male and female XLR connector on either end of the cable. Also remember that DMX cable must be daisy chained and cannot be split.



**Special Note: Line Termination.** When longer runs of cable are used, you may need to use a terminator on the last unit to avoid erratic behavior. A terminator is a 110-120 ohm 1/4 watt resistor which is connected between pins 2 and 3 of a male XLR connector (DATA + and DATA -). This unit is inserted in the female XLR connector of the last unit in your daisy chain to terminate the line. Using a cable terminator (ADJ part number Z-DMX/T) will decrease the possibilities of erratic behavior.

**TO MAINTAIN IP65 RATING INTEGRITY AND PREVENT WATER FROM ENTERING THE FIXTURE, ALL UNUSED CONNECTION RUBBER CAPS MUST BE SEALED AND ONLY IP65 RATED POWER AND DATE CABLES MUST BE USED.**

## DMX ADDRESSING

All fixtures should be given a DMX starting address when using a DMX controller, so the correct fixture responds to the correct control signal. This digital starting address is the channel number from which the fixture starts to “listen” to the digital control signal sent out from the DMX controller. The assignment of this starting DMX address is achieved by setting the correct DMX address on the digital control display on the fixture.

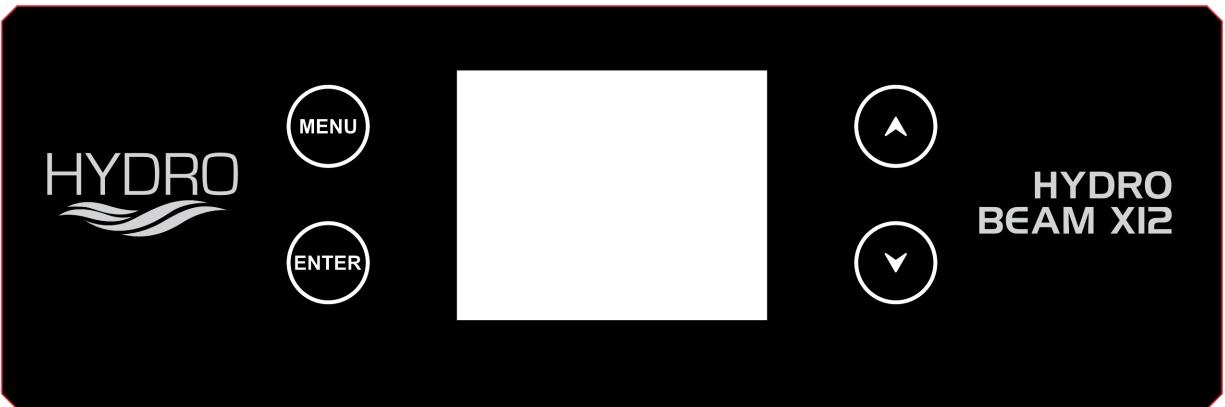
You can set the same starting address for all fixtures or a group of fixtures, or set different addresses for each individual fixture. Setting all fixtures to the same DMX address will cause all fixtures to react in the same way, in other words, changing the settings of one channel will affect all the fixtures simultaneously.

If you set each fixture to a different DMX address, each unit will start to “listen” to the channel number you have set, based on the quantity of DMX channels of each fixture. That means changing the settings of one channel will only affect the selected fixture. In the case of the Hydro Beam X12, when in 14 Channel mode, you should set the starting DMX address of the first unit to 1, the second unit to 15 (14 + 1), the third unit to 29 (15 + 14), and so on. (See the chart below for more details).

| Channel Mode | Unit 1 Address | Unit 2 Address | Unit 3 Address | Unit 4 Address |
|--------------|----------------|----------------|----------------|----------------|
| 14 Channels  | 1              | 15             | 29             | 43             |
| 18 Channels  | 1              | 19             | 37             | 55             |

## SYSTEM MENU

The fixture includes an easy to navigate system menu control panel display where all necessary settings and adjustments are made. Turn the unit on, press the **MENU** button to access the menu mode, and press the **UP/DOWN** button until the required function is displayed on the monitor. Select the function by pressing the **ENTER** button. Use the **UP/DOWN** button to navigate the submenu, then press the **ENTER** button to store selection, and automatically return to the last menu. To exit the menu mode, press the **MENU** button, or let the unit idle 30 seconds. The screen will automatically lock, and can be unlocked by pressing the **MENU** button for at least 10-seconds.



## SOFTWARE UPDATES

Please contact ADJ customer support for latest software and updating instructions.

# SYSTEM MENU

| Menu           | Submenu          | Options                                     | Description   |                          |
|----------------|------------------|---|---|--------------------------|
| DMX Settings   | DMX Address      | 001-512                                     | DMX Addressing  |                          |
|                | DMX Channel Mode | Mode1(14)/ <b>Mode2(18)</b>                 | DMX Channel Mode Selection                                  |                          |
|                | No DMX Status    | <b>Hold Last</b> / Blackout / Manual        | DMX Lost Status   |                          |
| Personality    | Select Signal    | DMX: <b>Yes</b> / No                        | Control via DMX   |                          |
|                |                  | WiFly: <b>Yes</b> / <b>No</b>               | Control via WiFly   |                          |
|                |                  | WiFly and DMX Out: <b>Yes</b> / <b>No</b>   | Control via WiFly and send DMX Out via DMX cable            |                          |
|                | Status Settings  | Pan Invert: On / <b>Off</b>                 | Reverse Pan Motion  |                          |
|                |                  | Tilt Invert: On / <b>Off</b>                | Reverse Tilt Motion   |                          |
|                |                  | P/T. Feedback: On / <b>Off</b>              | Pan/Tilt Movement Feedback                                  |                          |
|                |                  | P/T. Speed: <b>Speed 1</b> / Speed 2        | Pan/Tilt Movement Speed                                     |                          |
|                |                  | Hibernation: <b>Off</b> / 01M~99M / 15M     | Sleep Setting (No Activity)                                 |                          |
|                | WiFly Settings   | Set WiFly Channel: <b>00</b> ~14            | Set WiFly Wireless Channel                                  |                          |
|                |                  | Enable / <b>Disable</b> WiFly               | Activate / Deactivate WiFly                                 |                          |
|                | Reset Motors     | All Reset: <b>Yes</b> / <b>No</b>           | Reset All Motors  |                          |
|                |                  | Pan/Tilt Reset: <b>Yes</b> / <b>No</b>      | Reset the Pan & Tilt Motors                                 |                          |
|                |                  | Color Reset: <b>Yes</b> / <b>No</b>         | Reset the Color Wheel Motor                                 |                          |
|                |                  | Gobo Reset: <b>Yes</b> / <b>No</b>          | Reset the Gobo Wheel Motors                                 |                          |
|                |                  | Frost Reset: <b>Yes</b> / <b>No</b>         | Reset the Frost Motor                                       |                          |
|                |                  | Prism1/R-P1 Reset: <b>Yes</b> / <b>No</b>   | Reset the Prism1/R-P1 Motors                                |                          |
|                |                  | Prism2/R-P2 Reset: <b>Yes</b> / <b>No</b>   | Reset the Prism2/R-P2 Motors                                |                          |
|                |                  | Shutter Reset: <b>Yes</b> / <b>No</b>       | Reset the Shutter Motors                                    |                          |
|                |                  | Focus Reset: <b>Yes</b> / <b>No</b>         | Reset the Focus Motors                                      |                          |
|                | Display          | Intensity: 1~ <b>10</b> (Dimmest-Brightest) | Display Brightness  |                          |
|                |                  | Display Invert: <b>Yes</b> / <b>No</b>      | Display Readout Inversion                                   |                          |
|                |                  | Screen Saver Delay: <b>Off</b> ~10M         | Display Shutoff Time  |                          |
|                |                  | Lock On/Off: On / Off                       | Lock Screen   |                          |
|                | Service          | <b>Pass Code = 050</b>                      | Calibration<br><b>(Pass Code = 050)</b>                     | Calibration Adjustment   |
|                |                  |   | USB Port Power <b>On/Off</b>                                |                          |
|                |                  |   | Update Software   |                          |
|                |                  |   | Factory Restore <b>Yes / No</b><br><b>(Pass Code = 011)</b> | Restore Factory Settings |
| Manual Control | Pan              | 000-255                                     | Manual Control  |                          |
|                | Tilt             | 000-255                                     |   |                          |
|                | Color            | 000-255                                     |   |                          |
|                | Gobo             | 000-255                                     |   |                          |
|                | Prism1           | 000-255                                     |   |                          |
|                | RPrism1          | 000-255                                     |   |                          |
|                | Prism2           | 000-255                                     |   |                          |
|                | RPrism2          | 000-255                                     |   |                          |
|                | Strobe           | 000-255                                     |   |                          |
|                | Dimmer           | 000-255                                     |   |                          |
|                | Focus            | 000-255                                     |   |                          |
| Frost          | 000-255          |   |   |                          |

# SYSTEM MENU

| Menu  | Submenu                           | Options   | Description  |   |
|---|-----------------------------------|---|--|---|
| Information   | Fixture Life Time                 | Power On Time: XXXXXX Hours   | Total Running Time (Not Resettable)                  |   |
|   |                                   | P On Time-R: XXXXXX Hours   | Total Running Time (Resettable)                      |   |
|   |                                   | P-On Time Reset: <b>Pass Code = 050</b>   | Reset P-On Time-R (Total Running Time)               |   |
|   | Total Lamp Time                   | Lamp On Time - XXXXXX Hours   | Lamp On Time (Not Resettable)                        |   |
|   |                                   | Lamp On Time-R - XXXXXX Hours   | Lamp On Time (Resettable)                            |   |
|   |                                   | Lamp On Time Reset: <b>Pass Code = 050</b>  | Reset Lamp On Time-R (Lamp On Time)                  |   |
|   | Fixture Temps                     | Head  | Current: XXX °F / XXX °C                             | Current Head Temperature  |
|   |                                   |   | Max Resettable: XXX °F / XXX °C                      | Maximum Temperature(1) Reached (Resettable) <b>(See Note 1)</b>     |
|   |                                   |   | Max Not Resettable: XXX °F / XXX °C                  | Maximum Temperature(2) Reached (Not Resettable) <b>(See Note 2)</b> |
|   |                                   | Base  | Current: XXX °F / XXX °C                             | Current Base Temperature  |
|   |                                   |   | Max Resettable: XXX °F / XXX °C                      | Maximum Temperature(1) Reached (Resettable) <b>(See Note 1)</b>     |
|   |                                   |   | Max Not Resettable: XXX °F / XXX °C                  | Maximum Temperature(2) Reached (Not Resettable) <b>(See Note 2)</b> |
|   |                                   |   | Reset Head Temp: Yes / No ( <b>Pass Code = 050</b> ) | Reset Head Temperature (Max Resettable)                             |
|   |                                   |   | Reset Base Temp: Yes / No ( <b>Pass Code = 050</b> ) | Reset Base Temperature (Max Resettable)                             |
|   | Humidity                          | Head Humidity: XXX%   | Current Head Humidity                                |   |
|   |                                   | Base Humidity: XXX%   | Current Base Humidity                                |   |
|   | Fan Info. (RPM)                   | B_Fan 1, B_Fan 2, A_Fan 1, B_Fan2, H_Fan 1, H Fan 2, H Fan 3, H Fan 4, H Fan 5, H Fan 6, H Fan 7, & H_Fan 8   | Fan Speed  |   |
|   | DMX Values(3) <b>(See Note 3)</b> | Pan, Pan Fine, Tilt, Tilt Fine, Color, Gobo, Prism1, RPrism1, Prism2, RPrism2, Strobe, Dimmer, Dimmer Fine, Focus, Focus Fine, Frost, P/T Speed, & Function | Current DMX Values                                   |   |
|   | RDM UID                           |   |  |   |
|   | Error Logs                        | Fixture Errors (Listed Errors One by One)   | Last 10 Fixture Error Codes                          |   |
| Reset Error Log: Yes / <b>No (Pass Code = 050)</b>  |                                   | Clear the Error Log   |  |   |
| Software Version  | X.XX                              | Current Software Version  |  |   |
| Lamp Control  | Lamp ON / OFF                     | On / <b>Off</b>   | Lamp On/Off  |   |
|   | Lamp ON with Power                | On / <b>Off</b>   | Lamp ON when Power ON                                |   |
|   | Lamp ON via DMX                   | <b>On</b> / Off   | Lamp Power ON via DMX                                |   |
|   | Lamp OFF via DMX                  | <b>On</b> / Off   | Lamp Power OFF via DMX                               |   |
| <b>Notes:</b><br>(1) Current Maximum Temperature - Maximum fixture temp. that has been recorded, before reset and after reset.<br>(2) Maximum Temperature - Overall maximum fixture temp. that has been recorded. (Not Resettable)<br>(3) DMX Value options depend on the DMX Channel mode the fixture is set to. |                                   |   |  |   |



# SYSTEM MENU

## DMX Settings

Select **DMX Settings**, and press the **ENTER** button to confirm. Use the **UP/DOWN** button to select **DMX Address**, **DMX Channel Mode**, or **No DMX Status**.

## DMX Address

Select **DMX Address**, press the **ENTER** button to confirm. Use the **UP/DOWN** button to adjust the address from **001** to **499/495**, press the **ENTER** button to store. Press the **MENU** button to go back to the last menu, or let the unit idle for 30 seconds to exit menu mode.

## DMX Channel Mode

Select **DMX Channel Mode**, and press the **ENTER** button to confirm. Use the **UP/DOWN** button to select **Mode1 (14)** or **Mode2 (18)**, press the **ENTER** button to store. Press the **MENU** button to go back to the last menu, or let the unit idle 30 seconds to exit menu mode.

## No DMX Status

Select **No DMX Status**, and press the **ENTER** button to confirm. Use the **UP/DOWN** button to select **Blackout** (fixture blacks out if DMX signal stops), **Hold Last** (fixture continues to obey the last command it received Via DMX if DMX signal stops), or **Manual** (the fixture will automatically read the DMX value in the “**ManualControl**” menu for operation after selecting this mode), press the **ENTER** button to store. Press the **MENU** button to go back the last menu, or let the unit idle 30 seconds to exit menu mode.

## Personality

Select **Personality**, and press the **ENTER** button to confirm. Use the **UP/DOWN** button to select **Select Signal**, **Status Settings**, **WiFly Settings**, **Reset Motors**, **Display**, or **Service**.

## Select Signal

Select **Select Signal**, and press the **ENTER** button to confirm. Use the **UP/DOWN** button to select **DMX**, **Wifly**, or **Wifly and DMX Out**, press the **ENTER** button to store. Use the **UP/DOWN** button to select **No** or **Yes**, and press the **ENTER** button to store. Press the **MENU** button to go back to the last menu, or let the unit idle 30 seconds to exit menu mode.

## Status Settings

Select **Status Settings**, and press the **ENTER** button to confirm. Use the **UP/DOWN** button to select **Pan Invert**, **Tilt Invert**, **P/T Feedback**, **P/T Speed**, or **Hibernation**.

## Pan Invert

Select **Pan Invert**, and press the **ENTER** button to confirm. Use the **UP/DOWN** button to select **Off** or **On**, press the **ENTER** button to store. Press the **MENU** button to go back to the last menu, or let the unit idle 30 seconds to exit menu mode.

## Tilt Invert

Select **Tilt Invert**, and press the **ENTER** button to confirm. Use the **UP/DOWN** button to select **Off** or **On**, press the **ENTER** button to store. Press the **MENU** button to go back to the last menu or let the unit idle 30 seconds to exit menu mode.

## P/T Feedback

Select **P/T Feedback**, and press the **ENTER** button to confirm. Use the **UP/DOWN** button to select **Off** or **On**, press the **ENTER** button to store. Press the **MENU** button to go back to the last menu, or let the unit idle 30 seconds to exit menu mode.

## P/T Speed

Select **P/T Speed**, and press the **ENTER** button to confirm. Use the **UP/DOWN** button to select **Speed1**, or **Speed2**, press the **ENTER** button to store. Press the **MENU** button to go back to the last menu, or let the unit idle 30 seconds to exit menu mode.

## Hibernation

Select **Hibernation**, and press the **ENTER** button to confirm. Use the **DOWN/UP** button to select **OFF**, or **01M~99M**, and press the **ENTER** button to store. Press the **MENU** button to go back to the last menu, or let the unit idle 30 seconds to exit menu mode.

# SYSTEM MENU

## WiFly

Select **WiFly**, and press the **ENTER** button to confirm. Use the **UP/DOWN** button to select **No** or **Yes** and press the **ENTER** button to store. To select **WiFly and DMX on**, use the **UP/DOWN** button to select **No** or **Yes** and press the **ENTER** button to store. With the **WiFly and DMX on**, you can control the unit via wifly, and send a DMX signal via DMX cable to a nearby device that does not have WiFly capabilities. Press the **MENU** button to go back to the last menu, or let the unit idle 30 seconds to exit menu mode.

## Reset Motors

Select **Reset Motors**, and press the **ENTER** button to confirm. Use the **UP/DOWN** button to select **All Reset**, **Pan/Tilt Reset**, **Color Reset**, **Gobo Reset**, **Frost Reset**, **Prism1/R-P1 Reset**, **Prism2/R-P2 Reset**, **Shutter Reset**, or **Focus Reset**.

## All Reset

Select **All Reset**, and press the **ENTER** button to confirm. Use the **UP/DOWN** button to select **No** or **Yes** and press the **ENTER** button to store. Press the **MENU** button back to go back to the last menu, or let the unit idle 30 seconds to exit menu mode.

## Pan/Tilt Reset

Select **Pan/Tilt Reset**, press the **ENTER** button to confirm. Use the **UP/DOWN** button to select **No** or **Yes** and press the **ENTER** button to store. Press the **MENU** button to go back to the last menu, or let the unit idle 30 seconds to exit menu mode.

## Color Reset

Select **Color Reset**, and press the **ENTER** button to confirm. Use the **UP/DOWN** button to select **No** or **Yes** and press the **ENTER** button to store. Press the **MENU** button to go back to the last menu, or let the unit idle 30 seconds to exit menu mode.

## Gobo Reset

Select **Gobo Reset**, and press the **ENTER** button to confirm. Use the **UP/DOWN** button to select **No** or **Yes**, and press the **ENTER** button to store. Press the **MENU** button to go back to the last menu, or let the unit idle 30 seconds to exit menu mode.

## Frost Reset

Select **Frost Reset**, and press the **ENTER** button to confirm. Use the **UP/DOWN** button to select **No** or **Yes** and press the **ENTER** button to store. Press the **MENU** button to go back to the last menu, or let the unit idle 30 seconds to exit menu mode.

## Prism1/R-P1 Reset

Select **Prism1/R-P1 Reset**, and press the **ENTER** button to confirm. Use the **UP/DOWN** button to select **No** or **Yes** and press the **ENTER** button to store. Press the **MENU** button to go back to the last menu, or let the unit idle 30 seconds to exit menu mode.

## Prism2/R-P2 Reset

Select **Prism2/R-P2 Reset**, and press the **ENTER** button to confirm. Use the **UP/DOWN** button to select **No** or **Yes** and press the **ENTER** button to store. Press the **MENU** button to go back to the last menu, or let the unit idle 30 seconds to exit menu mode.

## Shutter Reset

Select **Shutter Reset**, and press the **ENTER** button to confirm. Use the **UP/DOWN** button to select **No** or **Yes**, and press the **ENTER** button to store. Press the **MENU** button to go back to the last menu, or let the unit idle 30 seconds to exit menu mode.

## Focus Reset

Select **Focus Reset**, and press the **ENTER** button to confirm. Use the **UP/DOWN** button to select **No** or **Yes** and press the **ENTER** button to store. Press the **MENU** button to go back to the last menu, or let the unit idle 30 seconds to exit menu mode.

## Display

Select **Display**, and press the **ENTER** button to confirm. Use the **UP/DOWN** button to select **Intensity**, **Display Invert**, or **Screen Saver Delay**.

# SYSTEM MENU

## Intensity

Select **Intensity**, and press the **ENTER** button to confirm. Use the **UP/DOWN** button to adjust the backlight intensity from **1(dark)** to **10(bright)**, and press the **ENTER** button to store. Press the **MENU** button to go back to the last menu, or let the unit idle 30 seconds to exit menu mode.

## Display Invert

Select **Display Invert**, and press the **ENTER** button to confirm. Use the **UP/DOWN** button to select **No**, or **Yes**, and press the **ENTER** button to store. Press the **MENU** button to go back to the last menu, or let the unit idle 30 seconds to exit menu mode.

## Screen Saver Delay

Select **Screen Saver Delay**, and press the **ENTER** button to confirm. Use the **DOWN/UP** button to select **OFF**, or **01M~10M**, and press the **ENTER** button to store. Press the **MENU** button to go back to the last menu, or let the unit idle 30 seconds to exit menu mode.

## Lock On/Off

Select **Lock On/Off**, and press the **ENTER** button to confirm. Use the **DOWN/UP** button to toggle between **OFF** and **ON**, and press the **ENTER** button to store. Press the **MENU** button to go back to the last menu, or let the unit idle 30 seconds to exit menu mode.

## Service

Select **Service**, and press the **ENTER** button to confirm. Use the **UP/DOWN** button to set the passcode (**050**), and press the **ENTER** button to confirm. Use the **UP/DOWN** button to select **Calibration**, **USB Port Power**, **USB Software**, or **Factory Restore**.

## Calibration

Select **Calibration**, and press the **ENTER** button to confirm. Use the **UP/DOWN** button to select **Pan**, **Tilt**, **Strobe**, **Color**, **Gobo**, **Prism1**, **RPrism1**, **Prism2**, **RPrism2**, **Focus**, or **Frost**, and press the **ENTER** button to store. Press the **MENU** button to go back to the last menu, or let the unit idle 30 seconds to exit menu mode.

## USB Port Power

Select **USB Port Power**, and press the **ENTER** button to confirm. Use the **UP/DOWN** button to select **Off**, or **On**, and press the **ENTER** button to store. Press the **MENU** button to go back to the last menu, or let the unit idle 30 seconds to exit menu mode.

## USB Software (Update Software)

Select **Update Software**, and press the **ENTER** button to confirm. Use the **UP/DOWN** button to select an upgrade file, and press the **ENTER** button to confirm. Select **V00** software provided, then the fixture will load the software from 0-100%. Repeat the steps and use the **V.1XX**. To verify that the software was successfully uploaded, use the menu to select **Information**, and use the **UP/DOWN** button to select **Software**. For the latest software, please contact ADJ Service Department (Email: [support@adj.com](mailto:support@adj.com), Phone (323) 582-2650). Once received, the software can be loaded to a **USB Flash Drive** (32 GB max., formatted to FAT32 if possible).

## Factory Restore

Select **Factory Restore**, and press the **ENTER** button to confirm. Use the **UP/DOWN** button to select **No** or **Yes**, and press the **ENTER** button to store. To select **Yes**, press the **ENTER** button to confirm. Use the **UP/DOWN** button to set the passcode (**011**), and press the **ENTER** button to store. Press the **MENU** button to go back to the last menu, or let the unit idle 30 seconds to exit menu mode.

## Manual Control

Select **Manual Control**, and press the **ENTER** button to confirm. Use the **UP/DOWN** button to select **Pan**, **Tilt**, **Color**, **Gobo**, **Prism1**, **RPrism1**, **Prism2**, **RPrism2**, **Strobe**, **Dimmer**, **Focus**, or **Frost**, and press the **ENTER** button to confirm. Use the **UP/DOWN** button to set the DMX value from **000** to **255**, and press the **ENTER** button to store. Press the **MENU** button to go back to the last menu, or let the unit idle 30 seconds to exit menu mode.

## Information

Select **Information**, and press the **ENTER** button to confirm. Use the **UP/DOWN** button to select **Fixture Life Time**, **Total Lamp Time**, **Fixture Temps**, **Humidity**, **Fan Info.(RPM)**, **DMX Values**, **RDM UID**, **Error Logs**, or **Software Version**.

# SYSTEM MENU

## Fixture Life Time

Select **Fixture Life Time**, and press the **ENTER** button to confirm. Use the **UP/DOWN** button to select **Power On Time**, **P-On Time-R**, or **P-On Time Reset**, and press the **ENTER** button to store. Press the **MENU** button to go back to the last menu, or let the unit idle 30 seconds to exit menu mode.

## Total Lamp Time

Select **Total Lamp Time**, and press the **ENTER** button to confirm. Use the **UP/DOWN** button to select **Lamp On Time**, **Lamp On Time-R**, or **Lamp On Time Reset**, and press the **ENTER** button to store. Press the **MENU** button to get back to the last menu, or let the unit idle 30 seconds to exit menu mode.

## Fixture Temps

Select **Fixture Temps**, and press the **ENTER** button to confirm. Use the **UP/DOWN** button to select **Head**, **Base**, **Reset Head Temp**, or **Reset Base Temp**, and press the **ENTER** button to store. Press the **MENU** button to go back to the last menu, or let the unit idle 30 seconds to exit menu mode.

## Humidity

Select **Humidity**, and press the **ENTER** button to confirm. The humidity of the fixture's head or base will show on the display. Press the **MENU** button to exit.

## Fan Info.(RPM)

Select **Fan Info.(RPM)**, and press the **ENTER** button to confirm. The information of each fan will show on the display. Press the **MENU** button to exit.

## DMX Values

Select **DMX Values**, and press the **ENTER** button to confirm. The DMX values of each channel will show on the display. Press the **MENU** button to exit.

## RDM UID

Select **RDM UID**, and press the **ENTER** button to confirm. **RDM UID** will show on the display. Press the **MENU** button back to exit.

## Error Logs

Select **Error Logs**, and press the **ENTER** button to confirm. Use the **UP/DOWN** button to select **Fixture Errors**, or **Reset Error Logs**, and press the **ENTER** button to store. Select **Reset Error Logs**, and press the **ENTER** button to confirm. Use the **UP/DOWN** button to select **No** or **Yes**, and press the **ENTER** button to store. Select **Yes**, and press the **ENTER** button to confirm. Use the **UP/DOWN** button to set the password (**050**), and press the **ENTER** button to store. Press the **MENU** button to get back to the last menu or let the unit idle 30 seconds to exit menu, mode.

## Lamp Control

Select **Lamp Control**, and press the **ENTER** button to confirm. Use the **UP/DOWN** button to select **Lamp On/Off**, **Lamp ON with Power**, **Lamp ON via DMX**, or **Lamp OFF via DMX**.

## Lamp On/Off

Select **Lamp On/Off**, and press the **ENTER** button to confirm. Use the **UP/DOWN** button to select **Off(lamp off)**, or **On(lamp on)**, and press the **ENTER** button to store. Press the **MENU** button back to the last menu, or let the unit idle 30 seconds to exit menu mode.

## Lamp ON with Power

Select **Lamp ON with Power**, and press the **ENTER** button to confirm. Use the **UP/DOWN** button to select **Off(Lamp off while power on)**, or **On(Lamp on while power on)**, and press the **ENTER** button to store. Press the **MENU** button to go back to the last menu, or let the unit idle 30 seconds to exit menu mode.

## Lamp ON via DMX

Select **Lamp ON via DMX**, and press the **ENTER** button to confirm. Use the **UP/DOWN** button to select **Off**, or **On**, and press the **ENTER** button to store. Press the **MENU** button to go back to the last menu, or let the unit idle 30 seconds to exit menu mode.

## Lamp OFF via DMX

Select **Lamp OFF via DMX**, and press the **ENTER** button to confirm. Use the **UP/DOWN** button to select **Off** or **On**, and press the **ENTER** button to store. Press the **MENU** button to go back to the last menu, or let the unit idle 30 seconds to exit menu mode.

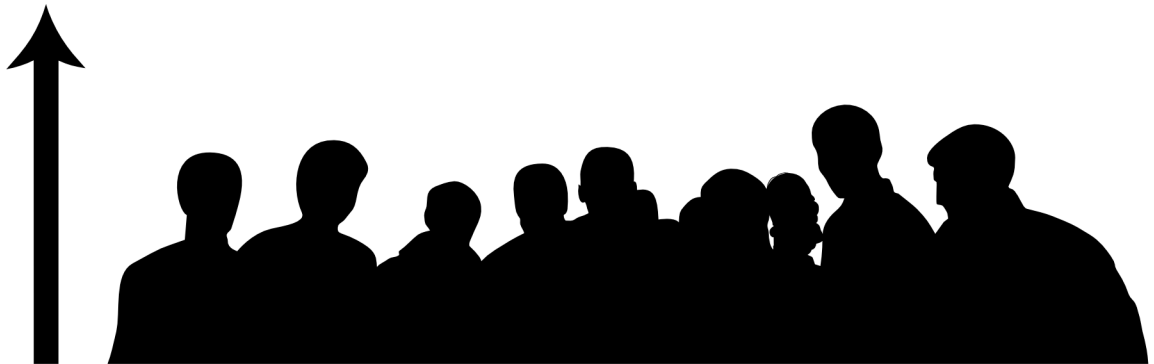
## WIFLY

There are many factors that affect and/or interrupt a wireless signal such as walls, glass, metal, objects, and people. Therefore, it is highly recommended to:

- Install devices a minimum of 9.8 ft. (3m) above audiences and/or ground level
- Adjust the wireless antenna in a vertical upright position
- Position devices in direct line of sight of the controlling WiFLY device

Careful planning and testing of the selected installation location is critical to ensure optimum and reliable wireless operation.

**9.8 ft (3m)  
Above Ground**



# DMX TRAITS: CHANNEL FUNCTIONS & VALUES (14/18 DMX Channels)

| 14 Channels | 18 Channels                     | Values                                  | Functions   |
|-------------|---------------------------------|---|---|
| 1           | 1                               | 000-255                                 | <b>PAN MOVEMENT 8-BIT:</b><br>Pan Movement (0° - 540°)    |
|             | 2                               | 000-255                                 | <b>PAN FINE 16-BIT:</b><br>Fine Control of Pan Movement   |
| 2           | 3                               | 000-255                                 | <b>TILT MOVEMENT 8-BIT:</b><br>Tilt Movement (0° - 270°)  |
|             | 4                               | 000-255                                 | <b>TILT FINE 16-BIT:</b><br>Fine Control of Tilt Movement |
| 3           | 5                               |   | <b>COLOR WHEEL:</b>                                       |
|             |                                 | 000-003                                 | White   |
|             |                                 | 004-007                                 | Red   |
|             |                                 | 008-011                                 | Orange  |
|             |                                 | 012-015                                 | Aqua Marine   |
|             |                                 | 016-019                                 | Green   |
|             |                                 | 020-023                                 | Light Green   |
|             |                                 | 024-027                                 | Lavender  |
|             |                                 | 028-031                                 | Pink  |
|             |                                 | 032-035                                 | Light Yellow  |
|             |                                 | 036-039                                 | Magenta   |
|             |                                 | 04-043                                  | Cyan  |
|             |                                 | 044-047                                 | Yellow  |
|             |                                 | 048-051                                 | 3200K   |
|             |                                 | 052-055                                 | 6000K   |
|             |                                 | 056-059                                 | UV  |
|             |                                 | 060-061                                 | White   |
|             |                                 | 062-063                                 | White to Red  |
|             |                                 | 064-065                                 | Red   |
|             |                                 | 066-067                                 | Red to Orange   |
|             |                                 | 068-069                                 | Orange  |
|             |                                 | 070-071                                 | Orange to Aqua Marine                                     |
|             |                                 | 072-073                                 | Aqua Marine   |
|             |                                 | 074-075                                 | Aqua Marine to Green                                      |
|             |                                 | 076-077                                 | Green   |
|             |                                 | 078-079                                 | Green to Light Green                                      |
|             |                                 | 080-081                                 | Light Green   |
|             |                                 | 082-083                                 | Light Green to Lavender                                   |
|             |                                 | 084-085                                 | Lavender  |
|             |                                 | 086-087                                 | Lavender to Pink  |
|             |                                 | 088-089                                 | Pink  |
|             |                                 | 090-091                                 | Pink to Light Yellow                                      |
|             |                                 | 092-093                                 | Light Yellow  |
| 094-095     | Light Yellow to Magenta         |   |   |
| 096-097     | Magenta                         |   |   |
| 098-099     | Magenta to Cyan                 |   |   |
| 100-101     | Cyan                            |   |   |
| 102-103     | Cyan to Yellow                  |   |   |
| 104-106     | Yellow                          |   |   |
| 107-109     | Yellow to 3200K                 |   |   |
| 110-112     | 3200K                           |   |   |
| 113-115     | 3200K to 6000K                  |   |   |
| 116-118     | 6000K                           |   |   |
| 119-121     | 6000K to Uv                     |   |   |
| 122-124     | UV                              |   |   |
| 125-127     | UV to White                     |   |   |
| 128-189     | Clockwise Rotation Fast to Slow |   |   |
| 190-193     | Stop                            |   |   |
|             | 194-255                         | Counter-Clockwise Rotation Slow to Fast |   |



| 14 Channels | 18 Channels                             | Values  | Functions                       |
|-------------|---|---------|---------------------------------|
| 4           | 6                                       |         | <b>Static Gobo</b>              |
|             |   | 000-007 | White                           |
|             |   | 008-010 | Gobo1                           |
|             |   | 011-013 | Gobo2                           |
|             |   | 014-016 | Gobo3                           |
|             |   | 017-019 | Gobo4                           |
|             |   | 020-022 | Gobo5                           |
|             |   | 023-025 | Gobo6                           |
|             |   | 026-028 | Gobo7                           |
|             |   | 029-031 | Gobo8                           |
|             |   | 032-034 | Gobo9                           |
|             |   | 035-037 | Gobo10                          |
|             |   | 038-040 | Gobo11                          |
|             |   | 041-043 | Gobo12                          |
|             |   | 044-046 | Gobo13                          |
|             |   | 047-049 | Gobo14                          |
|             |   | 050-052 | Gobo15                          |
|             |   | 053-055 | Gobo16                          |
|             |   | 056-059 | White Shaking, Slow to Fast     |
|             |   | 060-063 | Gobo1 Shaking, Slow to Fast     |
|             |   | 064-067 | Gobo2 Shaking, Slow to Fast     |
|             |   | 068-071 | Gobo3 Shaking, Slow to Fast     |
|             |   | 072-075 | Gobo4 Shaking, Slow to Fast     |
|             |   | 076-079 | Gobo5 Shaking, Slow to Fast     |
|             |   | 080-083 | Gobo6 Shaking, Slow to Fast     |
|             |   | 084-087 | Gobo7 Shaking, Slow to Fast     |
|             |   | 088-091 | Gobo8 Shaking, Slow to Fast     |
|             |   | 092-095 | Gobo9 Shaking, Slow to Fast     |
|             |   | 096-099 | Gobo10 Shaking, Slow to Fast    |
|             |   | 100-103 | Gobo11 Shaking, Slow to Fast    |
|             |   | 104-107 | Gobo12 Shaking, Slow to Fast    |
| 108-111     | Gobo13 Shaking, Slow to Fast            |         |                                 |
| 112-115     | Gobo14 Shaking, Slow to Fast            |         |                                 |
| 116-119     | Gobo15 Shaking, Slow to Fast            |         |                                 |
| 120-127     | Gobo16 Shaking, Slow to Fast            |         |                                 |
| 128-189     | Clockwise Rotation Fast to Slow         |         |                                 |
| 190-193     | Stop                                    |         |                                 |
| 194-255     | Counter-Clockwise Rotation Slow to Fast |         |                                 |
| 5           | 7                                       |         | <b>Prism1</b>                   |
|             |   | 000-007 | Close                           |
|             |   | 008-255 | Open                            |
| 6           | 8                                       |         | <b>Prism 1 Rotation</b>         |
|             |   | 000-127 | 0-100%                          |
|             |   | 128-189 | Clockwise Rotation Fast to Slow |
|             |   | 190-193 | Stop                            |
| 7           | 9                                       |         | <b>Prism2</b>                   |
|             |   | 000-007 | Close                           |
|             |   | 008-255 | Open                            |



| 14 Channels | 18 Channels | Values  | Functions                               |
|-------------|-------------|---------|---|
| 8           | 10          |         | <b>Prism 2 Rotation</b>                 |
|             |             | 000-127 | 0-100%                                  |
|             |             | 128-189 | Clockwise Rotation Fast to Slow         |
|             |             | 190-193 | Stop                                    |
|             |             | 194-255 | Counter-Clockwise Rotation Slow to Fast |
| 9           | 11          |         | <b>Strobe</b>                           |
|             |             | 000-031 | Close                                   |
|             |             | 032-063 | Open                                    |
|             |             | 064-095 | Strobe From Slow to Fast                |
|             |             | 096-127 | Open                                    |
|             |             | 128-159 | Pulse Effect in Sequence                |
|             |             | 160-191 | Open                                    |
|             |             | 192-223 | Random                                  |
|             |             | 224-255 | Open                                    |
| 10          | 12          |         | <b>Dimmer</b>                           |
|             |             | 000-255 | 0-100%                                  |
|             | 13          |         | <b>Dimmer Fine</b>                      |
|             |             | 000-255 | 0-100%                                  |
| 11          | 14          |         | <b>Focus</b>                            |
|             |             | 000-255 | 0-100%                                  |
|             | 15          |         | <b>Focus Fine</b>                       |
|             |             | 000-255 | 0-100%                                  |
| 12          | 16          |         | <b>Frost</b>                            |
|             |             | 000-007 | Close                                   |
|             |             | 008-255 | Open                                    |
| 13          | 17          |         | <b>Pan/Tilt Speed</b>                   |
|             |             | 000-255 | Fast to Slow                            |
| 14          | 18          |         | <b>Special Function</b>                 |
|             |             | 000-069 | Null                                    |
|             |             | 070-079 | Enable Blackout While Pan/Tilt Moving   |
|             |             | 080-089 | Disable Blackout While Pan/Tilt Moving  |
|             |             | 090-099 | Enable Blackout While Color Changing    |
|             |             | 100-109 | Disable Blackout While Color Changing   |
|             |             | 110-119 | Enable Blackout While Gobo Changing     |
|             |             | 120-129 | Disable Blackout While Gobo Changing    |
|             |             | 130-139 | Lamp On                                 |
|             |             | 140-149 | Reset XY                                |
|             |             | 150-159 | Reset Effect                            |
|             |             | 160-199 | No Function                             |
|             |             | 200-209 | Reset All                               |
|             |             | 210-229 | No Function                             |
| 230-239     | Lamp Off    |         |   |
|             |             | 240-255 | No Function                             |

# ERROR CODES

| #  | Print Error Message    | Description               |
|----|------------------------|---------------------------|
| 1  | CPU-B Error            | CPU-B Error               |
| 2  | CPU-C Error            | CPU-C Error               |
| 3  | CPU-D Error            | CPU-D Error               |
| 4  | CPU-E Error            | CPU-E Error               |
| 5  | CPU-F Error            | CPU-F Error               |
| 6  | Pan Reset Error        | Pan: Reset Error          |
| 7  | Pan Encode Error       | Pan: Encoder Error        |
| 8  | Tilt Reset Error       | Tilt: Reset Error         |
| 9  | Tilt Encode Error      | Tilt: Encoder Error       |
| 10 | Color Reset Error      | Color: Reset Error        |
| 11 | Gobo Reset Error       | Gobo: Reset Error         |
| 12 | Prism1 Reset Error     | Prism1: Reset Error       |
| 13 | RPrism1 Reset          | RPrism1: Reset Error      |
| 14 | Prism2 Reset Error     | Prism2: Reset Error       |
| 15 | RPrism2 Reset Error    | RPrism2: Reset Error      |
| 16 | Focus Reset Error      | Focus: Reset Error        |
| 17 | G Sensor Error         | Gravity Sensor Error      |
| 18 | Ballast Comm Err       | Ballast Comm Error        |
| 19 | Lamp Hot Power Off     | Lamp Hot Power Off        |
| 20 | Lamp On Error          | Lamp On Error             |
| 21 | Lamp Volt. Too High    | Lamp Volt. Too High       |
| 22 | Ballast Temp. High     | Ballast Temp. High        |
| 23 | Lamp Maintenance       | Lamp Maintenance          |
| 24 | Head Humidity Error    | Head Humidity Error       |
| 25 | Base Humidity Error    | Base Humidity Error       |
| 26 | Head Humidity Too High | Base Humidity Too High    |
| 27 | Base Humidity Too High | Base Humidity Too High    |
| 28 | BaseFan1 Start Err     | Base Fan 1 Cannot Start   |
| 29 | BaseFan1 Stop Err      | Base Fan 1 Cannot Stop    |
| 30 | BaseFan1 Too Low       | Base Fan 1 Speed Too Low  |
| 31 | BaseFan1 Too High      | Base Fan 1 Speed Too High |
| 32 | BaseFan2 Start Err     | Fase Fan 2 Cannot Start   |
| 33 | BaseFan2 Stopp Err     | Base Fan 2 Cannot Stop    |
| 34 | BaseFan2 Too Low       | Base Fan 2 Speed Too Low  |
| 35 | BaseFan2 Too High      | Base Fan 2 Speed Too High |
| 36 | ArmFan1 Start Err      | Arm Fan 1 Cannot Start    |
| 37 | AmFan1 Stop Error      | Arm Fan 1 Cannot Stop     |
| 38 | ArmFan1 Too Low        | Arm Fan 1 Speed Too Low   |
| 39 | ArmFan1 Too High       | Arm Fan 1 Speed Too High  |
| 40 |                        |                           |

## ERROR CODES

| #  | Print Error Message    | Description               |
|----|------------------------|---------------------------|
| 40 | ArmFan2 Start Err      | Arm Fan 2 Cannot Start    |
| 41 | ArmFan2 Stop Err       | Arm Fan 2 Cannot Stop     |
| 42 | ArmFan2 Too Low        | Arm Fan 2 Speed Too Low   |
| 43 | ArmFan2 Too High       | Arm Fan 2 Speed Too High  |
| 44 | headFan1 Start Err     | Head Fan 1 Cannot Start   |
| 45 | HeadFan1 Stop Err      | Head Fan 1 Cannot Stop    |
| 46 | HeadFan1 Too Low       | Head Fan 1 Speed Too Low  |
| 47 | HeadFan1 Too High      | Head Fan 1 Speed Too High |
| 48 | headFan2 Start Err     | Head Fan 2 Cannot Start   |
| 49 | HeadFan2 Stop Err      | Head Fan 2 Cannot Stop    |
| 50 | HeadFan2 Too Low       | Head Fan 2 Speed Too Low  |
| 51 | HeadFan2 Too High      | Head Fan 2 Speed Too High |
| 52 | headFan3 Start Err     | Head Fan 3 Cannot Start   |
| 53 | HeadFan3 Stop Err      | Head Fan 3 Cannot Stop    |
| 54 | HeadFan3 Too Low       | Head Fan 3 Speed Too Low  |
| 55 | HeadFan3 Too High      | Head Fan 3 Speed Too High |
| 56 | headFan4 Start Err     | Head Fan 4 Cannot Start   |
| 57 | HeadFan41 Stop Err     | Head Fan 4 Cannot Stop    |
| 58 | HeadFan4 Too Low       | Head Fan 4 Speed Too Low  |
| 59 | HeadFan4 Too High      | Head Fan 4 Speed Too High |
| 60 | headFan5 Start Err     | Head Fan 5 Cannot Start   |
| 61 | HeadFan5 Stop Err      | Head Fan 5 Cannot Stop    |
| 62 | HeadFan5 Too Low       | Head Fan 5 Speed Too Low  |
| 63 | HeadFan5 Too High      | Head Fan 5 Speed Too High |
| 64 | headFan6 Start Err     | Head Fan 6 Cannot Start   |
| 65 | HeadFan6 Stop Err      | Head Fan 6 Cannot Stop    |
| 66 | HeadFan6 Too Low       | Head Fan 6 Speed Too Low  |
| 67 | HeadFan6 Too High      | Head Fan 6 Speed Too High |
| 68 | headFan7 Start Err     | Head Fan 7 Cannot Start   |
| 69 | HeadFan7 Stop Err      | Head Fan 7 Cannot Stop    |
| 70 | HeadFan7 Too Low       | Head Fan 7 Speed Too Low  |
| 71 | HeadFan7 Too High      | Head Fan 7 Speed Too High |
| 72 | headFan8 Start Err     | Head Fan 8 Cannot Start   |
| 73 | HeadFan8 Stop Err      | Head Fan 8 Cannot Stop    |
| 74 | HeadFan8 Too Low       | Head Fan 8 Speed Too Low  |
| 75 | HeadFan8 Too High      | Head Fan 8 Speed Too High |
| 76 | Head Temperature Error | Head Temperature Error    |
| 77 | Base Temperature Error | Base Temperature Error    |

## **MULTIPLE POWER LINKING**

With this feature you can connect the fixtures to one another using the power cable input and output sockets.

**NOTE: USE CAUTION WHEN POWER LINKING OTHER FIXTURES AS THE POWER CONSUMPTION OF OTHER MODEL FIXTURES MAY EXCEED THE MAX POWER OUTPUT ON THIS FIXTURE! CHECK SILK SCREEN FOR MAX AMPS.**

## **CLEANING**

Due to fog residue, smoke, and dust cleaning the internal and external optical lenses must be carried out periodically to optimize light output.

1. Use normal glass cleaner and a soft cloth to wipe down the outside casing.
2. Clean the external optics with glass cleaner and a soft cloth every 20 days.
3. Always be sure to dry all parts completely before plugging the unit back in.

Cleaning frequency depends on the environment in which the fixture operates (i.e. smoke, fog residue, dust, dew).

# SPECIFICATIONS

## Light Source:

- Philips, 260W, MSD Platinum 12R LL Discharge Lamp (6,000 hours)
- Color temperature: 7800K
- LUX: 522,000 @10M

## Features:

- DMX512 & RDM compatible
- 2° beam angle
- High quality, optical glass lens
- Motorized Focus + 16-bit fine focus
- Frost Filter to create wash effect
- 2 Rotating prisms: 6-facet Linear and 24-facet Circular
- 0-100% smooth dimming
- Various strobe effects with speed control
- Wifly EXR, wireless DMX onboard
- USB firmware update port
- Fan cooled

## Color Wheel:

- 14 dichroic colors + white [Includes CTO (3200K), CTB (6000K) & UV]
- Split Colors
- Bidirectional color wheel scrolling

## GOBO Wheel:

- 16 static GOBOs + open (4 GOBOs are beam reducers)
- GOBO Shake Effect
- Bidirectional gobo wheel scrolling

## Prisms:

- 6-facet linear and 24-facet circular
- Bidirectional prism rotation for each prism
- Prisms can be overlaid

## Control:

- Configurable via RDM
- Controllable via DMX512 via hardware or wirelessly with Wifly EXR transceiver (sold separately)
- 2 DMX Channel Modes: 14/18 Channels
- Color LCD display with 4-button function menu
- 5 Dimmer Curves
- 0-100% smooth dimming
- Various strobe effects with speed control
- USB firmware update port
- With Wired Digital Communication Network

## Pan/Tilt:

- Pan: 540 degrees (plus 16-bit fine pan)
- Tilt: 270 degrees (plus 16-bit fine tilt)

## Connections:

- DMX Connections: 5-pin DMX In/Out
- Power Connections: IP65 rated power locking In/Out

## Electrical:

- Multi-voltage operation: 100-240V, 50/60Hz
- Max power consumption: 412W (@120V), 405W (@230V)

## Dimensions & Weight:

- Dimension: 14" (L) x 9.4" (W) x 24.4" (H) / 356 x 240 x 621mm
- Weight: 48 lbs. / 21.8 kg.

## What's Included:

- Omega Brackets for hanging
- 4.92ft. / 1.5m. IP65 locking power cable

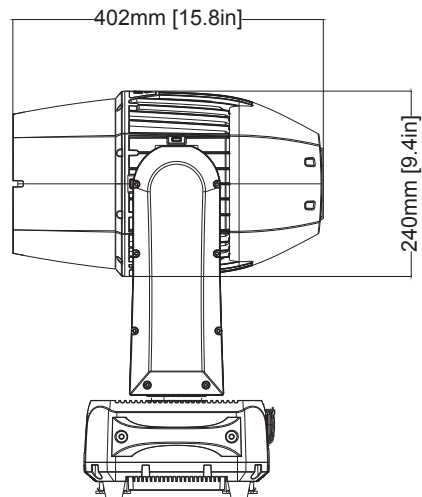
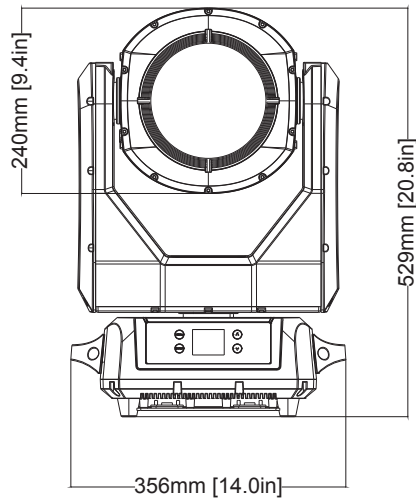
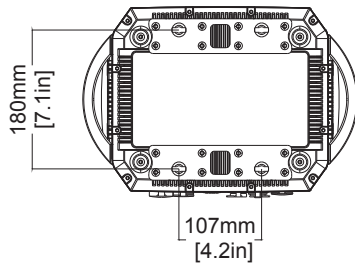
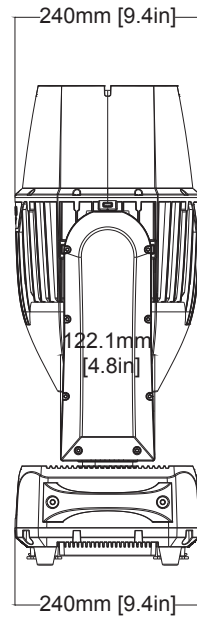
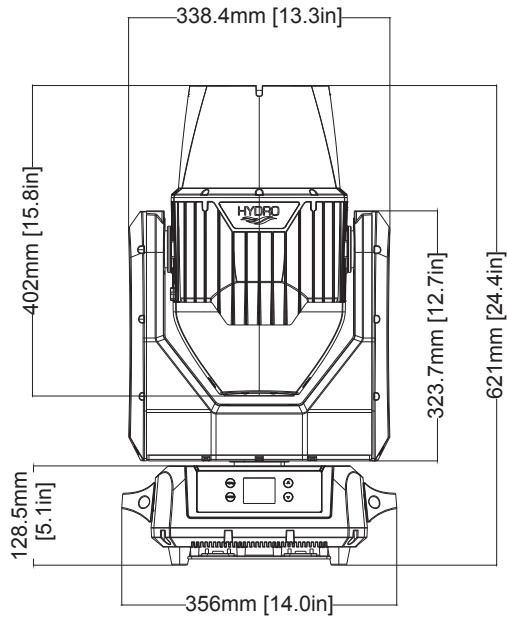
## Approvals / Ratings:

- cETLus (Control #4000358)
- CE Certified
- IP65 (temporary outdoor use only)



Specifications subject to change without notice.

# DIMENSIONS





## **FCC STATEMENT**

This device complies with Part 15 of the FCC Rules. Operation is subject to the following two conditions: (1) this device may not cause harmful interference, and (2) this device must accept any interference received, including interference that may cause undesired operation.

### **FCC RADIO FREQUENCY INTERFERENCE WARNINGS & INSTRUCTIONS**

This product has been tested and found to comply with the limits as per Part 15 of the FCC Rules. These limits are designed to provide reasonable protection against harmful interference in a residential installation. This device uses and can radiate radio frequency energy and, if not installed and used in accordance with the included instructions, may cause harmful interference to radio communications. However, there is no guarantee that interference will not occur in a particular installation. If this device does cause harmful interference to radio or television reception, which can be determined by turning the device off and on, the user is encouraged to try to correct the interference by one or more of the following methods:

- Reorient or relocate the device.
- Increase the separation between the device and the receiver.
- Connect the device to an electrical outlet on a circuit different from which the radio receiver is connected.
- Consult the dealer or an experienced radio/TV technician for help.

### **Europe Energy Saving Notice**

Energy Saving Matters (EuP 2009/125/EC)

Saving electric energy is a key to help protecting the environment. Please turn off all electrical products when they are not in use. To avoid power consumption in idle mode, disconnect all electrical equipment from power when not in use. Thank you



*This page intentionally left blank.*

