



ENTOUR CHILL



User Manual

US SKU#: ENT791
UPC#: 818651028249
ITF-14#: 10818651028246

©2022 ADJ Products, LLC all rights reserved. Information, specifications, diagrams, images, and instructions herein are subject to change without notice. ADJ Products, LLC logo and identifying product names and numbers herein are trademarks of ADJ Products, LLC. Copyright protection claimed includes all forms and matters of copyrightable materials and information now allowed by statutory or judicial law or hereinafter granted. Product names used in this document may be trademarks or registered trademarks of their respective companies and are hereby acknowledged. All non-ADJ Products, LLC brands and product names are trademarks or registered trademarks of their respective companies.

ADJ Products, LLC and all affiliated companies hereby disclaim any and all liabilities for property, equipment, building, and electrical damages, injuries to any persons, and direct or indirect economic loss associated with the use or reliance of any information contained within this document, and/or as a result of the improper, unsafe, insufficient and negligent assembly, installation, rigging, and operation of this product.

ADJ PRODUCTS LLC World Headquarters

6122 S. Eastern Ave. | Los Angeles, CA 90040 USA

Tel: 800-322-6337 | Fax: 323-582-2941 | www.adj.com | support@adj.com

ADJ Supply Europe B.V.

Junostraat 2 | 6468 EW Kerkrade | Netherlands

Tel: +31 45 546 85 00 | Fax: +31 45 546 85 99 | www.americandj.eu | service@americandj.eu

Europe Energy Saving Notice

Energy Saving Matters (EuP 2009/125/EC)

Saving electric energy is a key to help protecting the environment. Please turn off all electrical products when they are not in use. To avoid power consumption in idle mode, disconnect all electrical equipment from power when not in use. Thank you!

DOCUMENT VERSION



Due to additional product features and/or enhancements, an updated version of this document may be available online.

Please check www.adj.com for the latest revision/update of this manual before beginning installation and/or programming.

Date	Document Version	Software Version \geq	DMX Channel Mode	Notes
07/09/20	1.0	1.0	1	Initial Release
11/24/20	2.0	1.0	1	Updated Specifications
12/11/20	3.0	1.0	1	Updated Specifications
02/09/21	4.0	1.0	1	Updated Specifications & Dimensional Drawings
11/18/22	5.0	1.0	1	Update warnings, cannot use with dry ice

Introduction	4
Features Warranty Registration Installation	5
Safety Guidelines	6
Overview	7
General Setup	8
System Menu	9
DMX Traits	11
Wired Timer Remote Control	12
Dimensional Drawings	13
Fluid Sensor Maintenance Storage	14
Breaker Reset Trouble Shooting Error Warnings	15
Limited Warranty	16
Specifications	17

Introduction: Congratulations, you have just purchased one of the most reliable low lying machines on the market today! The Entour Chill machine has been designed to perform reliably for years when the guidelines in this booklet are followed. Please read and understand the instructions in this manual carefully and thoroughly before attempting to operate this unit.

These instructions contain important safety information regarding the use and maintenance of this unit. Please keep this manual with the unit for future reference.

Customer Support: Contact ADJ Service for any product related service and support needs. Also visit forums.adj.com with questions, comments or suggestions.

Parts: To purchase parts online visit:

<http://parts.adj.com> (US)

<http://www.adjparts.eu> (EU)

ADJ SERVICE USA - Monday - Friday 8:00am to 4:30pm PST

Voice: 800-322-6337 | Fax: 323-582-2941 | support@adj.com

ADJ SERVICE EUROPE - Monday - Friday 08:30 to 17:00 CET

Voice: +31 45 546 85 60 | Fax: +31 45 546 85 96 | support@adj.eu

ADJ PRODUCTS LLC USA

6122 S. Eastern Ave. Los Angeles, CA. 90040

323-582-2650 | Fax 323-532-2941 | www.adj.com | info@adj.com

ADJ SUPPLY Europe B.V

Junostraat 2 6468 EW Kerkrade, The Netherlands

+31 (0)45 546 85 00 | Fax +31 45 546 85 99

www.adj.eu | info@adj.eu

ADJ PRODUCTS GROUP Mexico

AV Santa Ana 30 Parque Industrial Lerma, Lerma, Mexico 52000

+52 (728) 282-7070

WARNING! To prevent or reduce the risk of electrical shock or fire, do not expose this unit to rain or moisture.

CAUTION! There are no user serviceable parts inside this unit. Do not attempt any repairs yourself, doing so will void your manufacturer's warranty. In the unlikely event your unit may require service, please contact ADJ Products, LLC.

Do not discard the shipping carton in the trash. Please recycle when ever possible.

SAFETY ISSUES:

NEVER POINT OR AIM A FOG MACHINE TOWARDS PEOPLE OR THEIR CLOTHING. THIS UNIT EMITS HOT VAPOR AND SHOULD BE USED WITH THE SAME CARE THAT YOU WOULD OBSERVE WHEN USING AN ELECTRIC KETTLE OR IRON.

Entour Chill

Features

- DMX-512 protocol (1 DMX Channel)
- Locking 3 -Pin XLR Connector In/Out
- Locking Power Connector In
- Low-Lying Fog Output
- Rapid Heater Technology
- Automatic Circuit Cut-Off (Protects the pump in the case of no fog fluid)
- Low Fluid LED Indicator
- Removable Fluid Tank

Included:

- 1 x Entour Chill
- 1 x Timer Remote
- 1 x Locking Power Cable
- 1 x Drainage Tube
- 1 x Drainage Bag

Entour Chill

Warranty Registration

The Entour Chill carries a two-year limited warranty. Please fill out the enclosed warranty card to validate your purchase. All returned service items, whether under warranty or not, must be freight pre-paid and accompany a return authorization (R.A.) number. The R.A. number must be written on the outside of the return package. A brief description of the problem and R.A. number must also be written down on a paper included in the shipping carton. If the unit is under warranty, you must provide a copy of your proof of purchase invoice. You may obtain an R.A. number by contacting our customer support team on our customer support number. All packages returned to the service department not displaying an R.A. number on the outside of the package will be returned to the shipper.

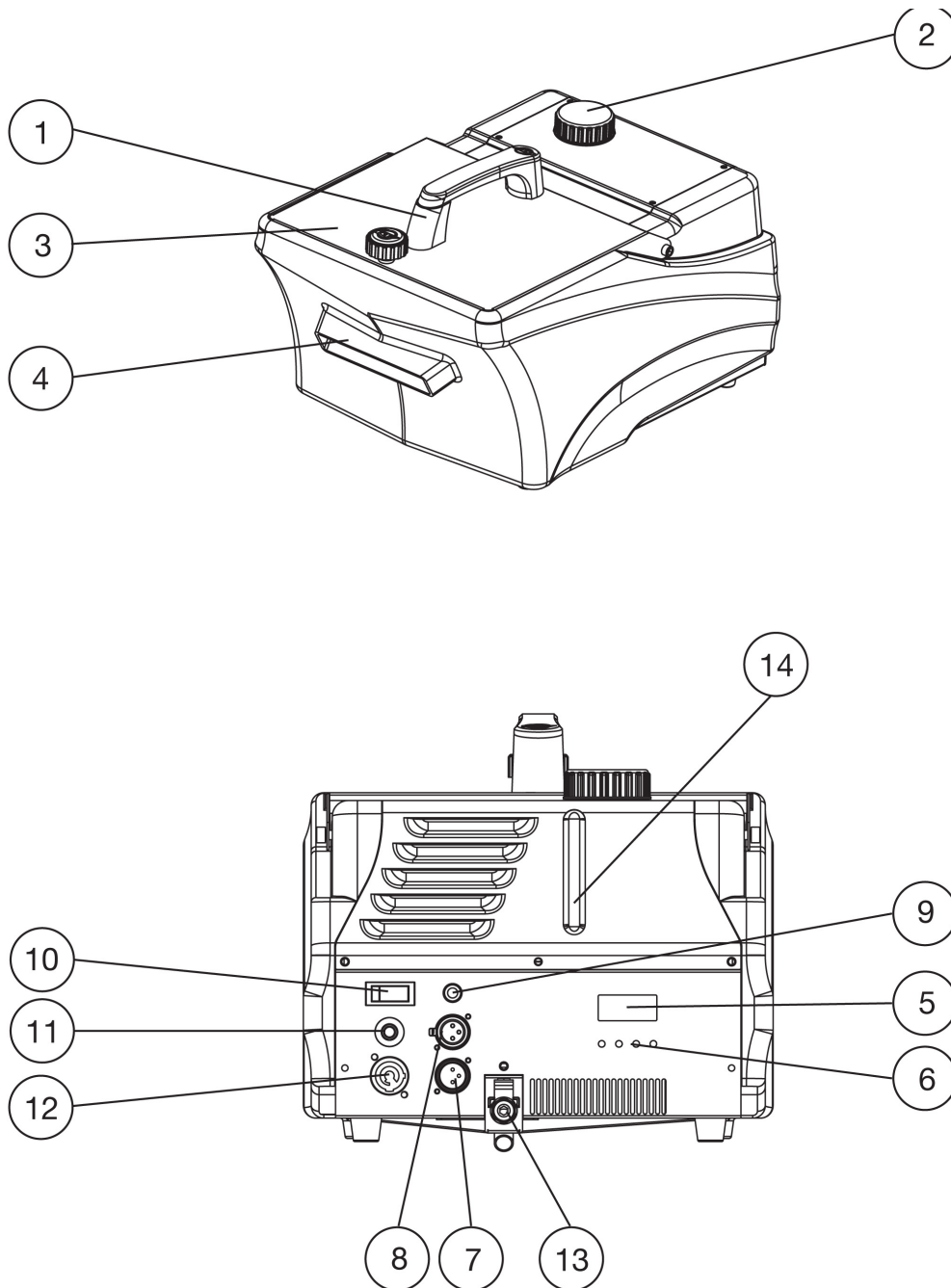
Entour Chill

Installation

- This device is intended for indoor use only. NEVER operate in the rain or damp conditions!
- Disconnect from power before filling the fluid tank and icebox.
- The device can be placed directly on the ground, stage, or other flat, stable surface.
- The device must remain upright, with the handle side facing upwards.
- The device must be installed in a place where it is out of the reach of people's grasp.

For your own personal safety, please read and understand this manual completely before you attempt to install or operate this unit!

- **CAUTION: Fog machines may set off smoke alarms!**
- Be sure to save the packing carton in the unlikely event the device may have to be returned for service
- **Do not** spill water or other liquids into or on to the device. Be sure that all the fog fluid is kept inside the fluid reservoir
- **Do not** use dry ice, which can cause the unit to malfunction.
- Be sure that the local power outlet matches the required voltage for the device
- **Do not** remove the top cover under any conditions. There are no user-serviceable parts inside
- Disconnect the device's main power when left unused for long periods
- **Never** connect this device to a dimmer pack
- **Do not** attempt to operate this device if it has been damaged in any way
- **Never** use this device with the cover removed
- To reduce the risk of electrical shock or fire, do not expose this device to rain or moisture
- **Do not** attempt to operate this device if the power cord has been frayed or broken. Do not try to remove or break off the ground prong from the electrical cord. This prong is used to reduce the risk of electrical shock and fire in case of an internal short
- Disconnect from main power before making any connection
- **Never** block the ventilation holes. Always be sure to mount this device in an area that will allow proper ventilation. Allow about 6" (15cm) between this device and a wall
- This unit is intended for indoor use only. Use of this product outdoors voids all warranties
- Always mount this unit in a safe and stable manner
- Please route your power cord out of the way of foot traffic. Power cords should be routed, so they are not likely to be walked on, or pinched by items placed upon or against them
- The device should be serviced by qualified service personnel when:
 - A. The power-supply cord or the plug has been damaged.
 - B. Objects have fallen on, or liquid has been spilled into the device.
 - C. The device has been exposed to rain or water.
 - D. The appliance does not appear to operate normally or exhibits a marked change in performance.



- | | |
|-----------------------|---------------------------|
| 1. Carrying Handle | 8. DMX Output |
| 2. Fluid Tank | 9. Remote Control Jack |
| 3. Ice Box | 10. Power Switch |
| 4. Smoke Outlet | 11. No-Fuse Breaker (NFB) |
| 5. LCD Display | 12. Power Input |
| 6. LCD Screen Buttons | 13. Drain Valve |
| 7. DMX Input | 14. Fluid Level Gauge |

1. Open the shipping carton and carefully remove the device from the shipping carton.
2. Be sure to remove ALL the packing material, paying particular attention to the area around the fog outlet vent.
3. Set the device on a flat dry surface. Open the icebox by unscrewing the knob located at the top front of the unit. Once the box is opened, fill the box with ice. The lid should close quickly and securely. Do not overfill the box.
4. After filling the icebox, unscrew and remove the tank reservoir cap. **Do not use dry ice**, which may cause the unit to malfunction.
5. Fill the reservoir with **ADJ brand fog juice only**, and replace the reservoir cap. Never run the device on anything other than an approved, ADJ branded water-based fog juice, as doing so can result in severe damage to your device.
6. Connect one end of the drainage tube to the drainage spout on the rear of the unit. Insert the other end of the drainage tube into the drainage bag. When the ice melts, the water will empty into the drainage bag.
7. Remove the timer remote control and firmly attach the remote control to the remote control jack located on the rear unit. Follow the operating instructions in the Wired Timer Remote Control section of this manual.
8. Plug the device into a matching power supply and flip the power switch to the ON position.
9. After power is applied, the device will begin to warm up. The device should be fully warmed up after 180 seconds. "Ready To Fog" will be displayed on the screen once the device is warmed up and ready to emit a fog. Additionally, if the Tank Lamp has been turned on, it will indicate device status by changing colors: red when the device is warming up, and green when ready for use. See the System Menu section for details on how to operate the tank lamp.

NOTE: When more than one means of control is connected to the device, the following command priority applies:

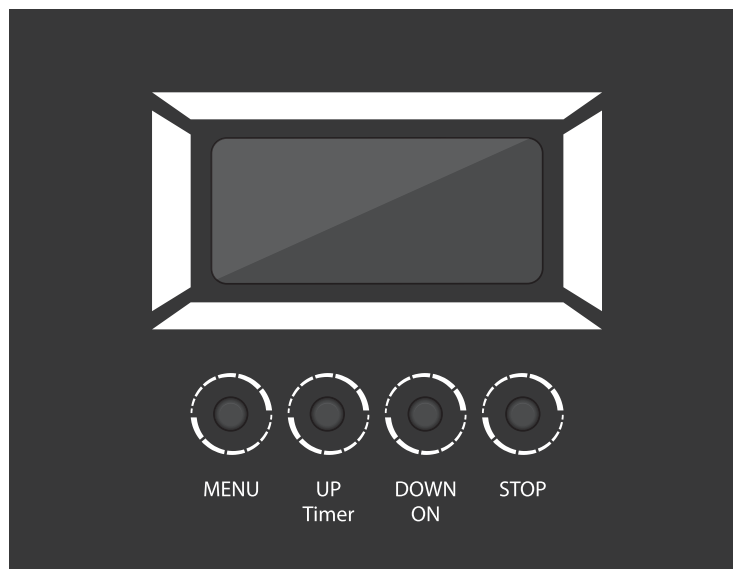
- First Priority: DMX Signal
- Second Priority: Wired Timer Remote Control
- Third Priority: Control Panel

DMX SIGNAL TAKES PRIORITY OVER ALL OTHER MEANS OF DEVICE CONTROL.

SYSTEM MENU

The fixture includes a user-friendly system menu control display where all necessary settings and adjustments are made. (See image below) During regular operation, pressing the **MENU** button once will access the fixture's main menu. Continue to press the **MENU** button to cycle through the various menu options. When you reach a field that requires adjusting, use the **UP** and **DOWN** buttons to improve the field. Pressing the **STOP** button to return to the beginning of the menu.

After 10 seconds of non-operation, the system will return to the "Ready to Fog" status screen.



MENU	OPTIONS	DESCRIPTION
Interval	10s - 250s	Interval Setting
Duration	10s - 250s	Duration Setting
DMX 512 Add	001 - 512	DMX Address Setting
Quick Start	ON / OFF	Quick Start Setting
Tank Lamp	ON / OFF	DMX Address Setting

SYSTEM MENU - The submenus included in the system menu are the settings that are used for Timer fogging. These settings should be set to the desired values before beginning timed fogging operations.

- **INTERVAL** - In this submenu you can adjust the Interval Setting. This setting allows the user to adjust the length of the intervals or breaks between fog outputs, during which the device emits no fog.
- **DURATION** - In this submenu you can adjust the Duration Setting. This setting allows the user to adjust the length of time during which the device emits fog.
- **DMX512 ADD** - In this submenu you can adjust the DMX address of the device.
- **QUICK START** - In this submenu you can activate the Quick Start feature. When Quick Start is active, all settings or adjustments made before shut down will be retained, and can be used immediately when the unit is powered on again.
- **TANK LAMP** - In this submenu you can turn the Tank Lamp On/Off to aid in illuminating the tank level indicator. The tank lamp can also indicate the warm-up status of the device:
 - Red indicates that the device is warming up.
 - Green indicates that the device is ready for use.
 - Yellow indicates a fault or abnormal condition.
 - Flashing red and green indicates that the heater is not working.

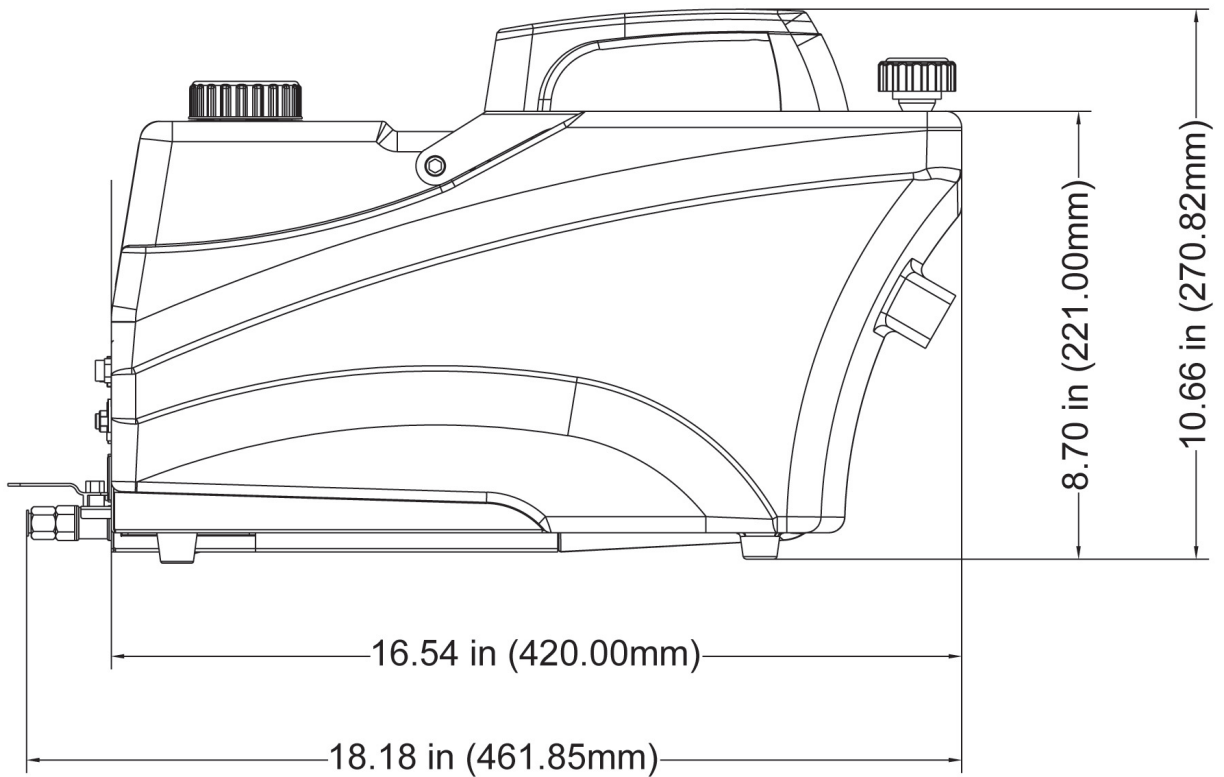
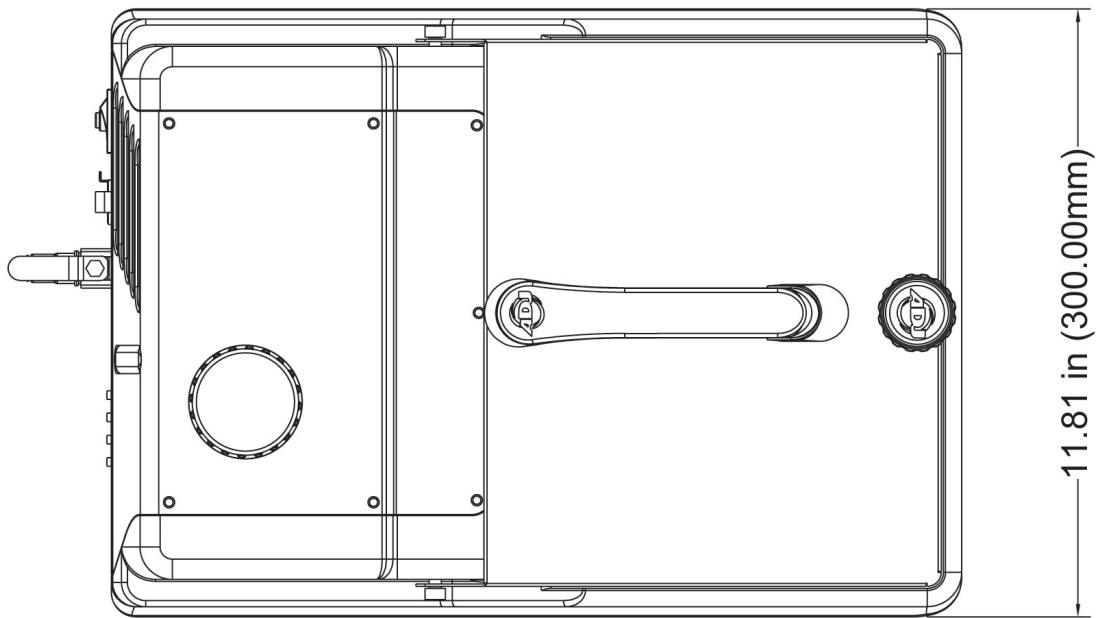
ADJ Entour Chill		
DMX Channel Values / Functions		
Supports Software Versions: 1.0 and up		
Features subject to change without notice		
Channel	DMX Value	Function
1	000 - 031	Smoke Off
	032 - 255	Smoke On



1. **Timer ON/OFF Button** - Press this button to activate timed fogging as dictated by the **Interval** and **Duration** settings defined in the System Menu or the two control knobs included on this remote. Press button again to deactivate timer fogging.
2. **Continuous Button** - Press this button to activate continuous fogging. Press this button again to deactivate continuous fogging.
3. **Manual Button** - Press and hold this button down for full fog output. Fogging stops when this button is released.
4. **Duration Control Knob** - This knob will adjust the duration time of fog output.
5. **Interval Control Knob** - This knob will adjust the interval time between fog output.

REMOTE CONTROL OPERATION:

1. Plug the included remote control into 1/4" jack input located on the rear of the device.
2. Plug the main power cord into a matching power source and move the power switch to the "On" position.
3. Allow the machine to warm up fully.
4. After the unit has warmed up, the remote's green indicator LED will glow. This LED indicates that the unit is ready to emit a low lying fog.
5. Use the control buttons and knobs on the remote to emit fog as desired.



Entour Chill

Fluid Sensor

The fluid sensor is a safe-guard feature designed to preserve the machine life and its internal parts. When the fluid sensor determines that the fluid tank is empty, the device will automatically stop working.

Entour Chill

Maintenance

Before performing maintenance, please ensure that the power is “Off” and the power cord is disconnected from the power source. Always make sure the machine has cooled down.

DO NOT let the fog fluid get dirty.

Always keep the air inlet clean and clear of any objects or dust, making sure to clean the air inlet after prolonged periods of use.

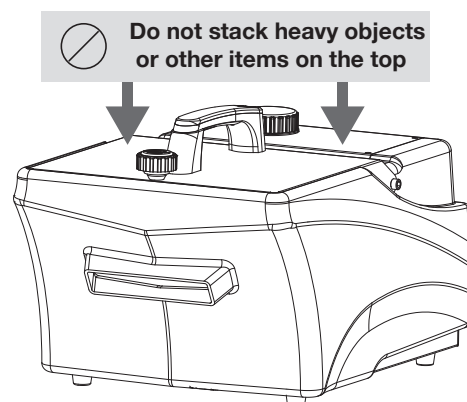
Before storing the machine, please drain all liquid from the fluid tank. Disconnect and empty the drainage bag. Follow the instructions detailed in the Storage section of this manual.

Entour Chill

Storage

Drain all liquid and remove all ice from the ice box before storing for a long time. Store the device in a cool area and cover the device to prevent excessive accumulation of dust. Do not leave the device out in the sun for long periods. When storing the unit for long periods, it is advised to run the unit at least once every 3-4 months, as long periods of inactivity can shorten your machine’s life. Only run ADJ-branded water-based fog juice through your unit. Running anything other than water based fog juice will result in severe damage to your device.

Avoid placing heavy objects on top of the device. Placing heavy objects on top of the device could damage the reservoir tank and ice box/ice box lid.



This unit is equipped with a built-in no-fuse breaker (NFB). This breaker is designed to close the power circuit in the event of an internal short or power surge. The fuse will reduce the risk of electrical shock or fire and protect the circuitry. To reset the breaker, push the breaker button in until you hear it “pop” back in to place. If the fuse continues to trip, stop using the unit, and contact our customer support team, it may need to be returned for service.

Power Connected but No Smoke is Emitted:

1. Check the power supply. Plug the unit into a grounded electric power supply socket with proper voltage.
2. Disconnect the machine from the power supply and reset the built-in breaker.
3. Be sure there is sufficient fluid in the tank.

If you experience low output, pump noise, or no output at all, disconnect and discontinue use immediately. Do not attempt to continue pushing the manual fog button as this may damage the machine. Check the fluid level and the breaker, and be sure the wall outlet is sending power. If all these appear to be operational, and the device still fails to operate correctly, the unit will require service. Please contact ADJ Products, LLC.

The following error warning messages may appear on the LCD screen, indicating a problem preventing the device from operating correctly. Do not operate the unit while these error messages are present to avoid further damage to the equipment. If these error messages persist, contact ADJ customer service for help.

Heater Overheat: The heater temperature is excessively high, or the temperature sensor is malfunctioning. The tank light will also flash red and green if this problem occurs.

No Heating: The heater is inoperational. The tank light will also flash red and green if this problem occurs.

No Fluid: The fluid tank is empty, or the pump has stopped. Please note that the pump stops automatically when the fluid tank is empty to avoid damaging the device. After refilling the fluid reservoir, pressing the STOP button will clear this warning.

LIMITED WARRANTY (USA ONLY)

- A. ADJ Products, LLC hereby warrants, to the original purchaser, ADJ Products, LLC products to be free of manufacturing defects in material and workmanship for a prescribed period from the date of purchase (see specific warranty period on reverse). This warranty shall be valid only if the product is purchased within the United States of America, including possessions and territories. It is the owner's responsibility to establish the date and place of purchase by acceptable evidence, at the time service is sought.
- B. For warranty service, you must obtain a Return Authorization number (RA#) before sending back the product-please contact ADJ Products, LLC Service Department at 800-322-6337. Send the product only to the ADJ Products, LLC factory. All shipping charges must be pre-paid. If the requested repairs or service (including parts replacement) are within the terms of this warranty, ADJ Products, LLC will pay return shipping charges only to a designated point within the United States. If the entire instrument is sent, it must be shipped in its original package. No accessories should be shipped with the product. If any accessories are shipped with the product, ADJ Products, LLC shall have no liability whatsoever for loss of or damage to any such accessories, or for the safe return thereof.
- C. This warranty is void if the serial number has been altered or removed; if the product is modified in any manner which ADJ Products, LLC concludes, after inspection, affects the reliability of the product, if the product has been repaired or service by anyone other than ADJ Products, LLC factory unless prior written authorization was issued to purchaser by ADJ Products, LLC; if the product is damaged because not properly maintained as set forth in the instruction manual.
- D. This is not a service contact, and this warranty does not include maintenance, cleaning or periodic check up. During the period specified above, ADJ Products, LLC will replace defective parts at its expense with new or refurbished parts, and will absorb all expenses for warrant service and repair labor by reason of defects in material or workmanship. The sole responsibility of ADJ Products, LLC under this warranty shall be limited to the repair of the product, or replacement thereof, including parts, at the sole discretion of ADJ Products, LLC. All products covered by this warranty were manufactured after August 15, 2012, and bear identifying marks to that effect.
- E. ADJ Products, LLC reserves the right to make changes in design and/or improvements upon its products without any obligation to include these changes in any products theretofore manufactured.
- F. No warranty, whether expressed or implied, is given or made with respect to any accessory supplied with products described above. Except to the extent prohibited by applicable law, all implied warranties made by ADJ Products, LLC in connection with this product, including warranties of merchantability or fitness, are limited in duration to the warranty period set forth above. And no warranties, whether expressed or implied, including warranties of merchantability or fitness, shall apply to this product after said period has expired. The consumer's and/or Dealer's sole remedy shall be such repair or replacement as is expressly provided above; and under no circumstances shall ADJ Products, LLC be liable for any loss or damage, direct or consequential, arising out of the use of, or inability to use, this product.
- G. This warranty is the only written warranty applicable to ADJ Products, LLC Products and supersedes all prior warranties and written descriptions of warranty terms and conditions heretofore published.

LIMITED WARRANTY PERIODS

- **Non L.E.D. Lighting Products = 1-year (365 days) Limited Warranty** (Such as: Special Effect Lighting, Intelligent Lighting, UV lighting, Strobes, Fog Machines, Bubble Machines, Mirror Balls, Par Cans, Trussing, Lighting Stands etc. excluding LED and lamps)
- **Laser Products = 1 Year (365 Days) Limited Warranty** (excludes laser diodes which have 6 month limited warranty)
- **L.E.D. Products = 2-year (730 days) Limited Warranty** (excluding batteries which have a 180 day limited warranty)
Note: 2 Year Warranty only applies to purchases within the United States.
- **StarTec Series = 1 Year Limited Warranty** (excluding batteries which have a 180 day limited warranty)
- **ADJ DMX Controllers = 2 Year (730 Days) Limited Warranty**

Capacities

- 800W Low-lying fog stays low to the ground – similar to a dry ice effect
- Ice tank capacity: 2.5 kg.
- Fog Fluid tank: 1-liter internal tank

Features:

- New Heater system for continuous output with no additional warm-up time
- Fire resistant rugged plastic case
- Uses standard water-based fog juice and ice cubes
- Continuous output (run-up to one hour)
- No need for expensive fog chillers, bulky air conditioning units or dry ice
- New sophisticated electronic temperature control: heats up in 3 minutes and stays heated
- LED heating indicator system in tank
 1. Red = Heating
 2. Green = Ready to use
 3. Flashing = Fog fluid tank is low

Control:

- 1 DMX channel
- New LCD Display with 4-button system menu
- On-board controls: timer output, continuous output
- 3-pin DMX In/Out connections
- Locking power connection
- Includes ADJ's FFFTR MK II wired timer remote control
 - Features: Timer On/Off, Continuous and manual fog, plug duration and interval potentiometers

Electrical:

- Power On/Off switch
- Locking power connection
- Input Voltage (USA): 120V, 60 Hz
- Input Voltage (EU): 230V/240V, 50 Hz
- Breaker: 10A (USA) or 5A (EU)
- Power consumption: 820W max

Dimensions / Weight:

- Dimensions (LxWxH): 18.18" x 11.81" x 10.66" / 461.85mm x 300.00mm x 270.82mm
- Weight: 17.25 lbs. / 7.8 kg.

Wired Timer Remote Specifications

- Model: FFFTR MKII
- Cable Length: 26.2 feet (8 meters)
- Connector: 1/4" stereo jack
- Functions: Timer control / Continuous control / Manual control
- Dimensions (L x W x H): 4.8 x 2.6 x 1.4 in / 123 x 66 x 35 mm
- Weight: 0.79 lb / 0.36 kg

Please Note: Specifications and improvements in the design of this unit and this manual are subject to change without any prior written notice.

