



PIXIE DRIVER 2000



User Manual

US SKU#: PIX142
EU SKU#: 1226200064
UPC#: 818651027860
ITF-14#: 10818651027867

©2021 ADJ Products, LLC all rights reserved. Information, specifications, diagrams, images, and instructions herein are subject to change without notice. ADJ Products, LLC logo and identifying product names and numbers herein are trademarks of ADJ Products, LLC. Copyright protection claimed includes all forms and matters of copyrightable materials and information now allowed by statutory or judicial law or hereinafter granted. Product names used in this document may be trademarks or registered trademarks of their respective companies and are hereby acknowledged. All non-ADJ Products, LLC brands and product names are trademarks or registered trademarks of their respective companies.

ADJ Products, LLC and all affiliated companies hereby disclaim any and all liabilities for property, equipment, building, and electrical damages, injuries to any persons, and direct or indirect economic loss associated with the use or reliance of any information contained within this document, and/or as a result of the improper, unsafe, insufficient and negligent assembly, installation, rigging, and operation of this product.



DOCUMENT VERSION

Due to additional product features and/or enhancements, an updated version of this document may be available online.

Please check www.adj.com for the latest revision/update of this manual before beginning installation and/or programming.

Date	Document Version	Software Version	DMX Channel Mode	Notes
08/06/20	1	1.0	Not Applicable	Initial Release
11/18/20	2	1.0	Not Applicable	Update Dimensional Drawings
12/01/20	3	2.0	Not Applicable	Update System Menu
12/08/20	4	2.0	Not Applicable	Update Specifications
08/02/21	5	2.01	Not Applicable	Update System Menu, Installation, Driver Output Limitations, & RGB Pixel Control.
12/29/21	6	N/C	Not Applicable	Update Driver Output Limitations and System Menu to remove LED Tape/LED Bulbs and Output Control Mode

Europe Energy Saving Notice

Energy Saving Matters (EuP 2009/125/EC)

Saving electric energy is a key to help protecting the environment. Please turn off all electrical products when they are not in use. To avoid power consumption in idle mode, disconnect all electrical equipment from power when not in use. Thank you!

TABLE OF CONTENTS

Introduction	4
Features Warranty Registration	5
Safety Guidelines	6
Overview	7
Installation	8
Driver Output Limitations	11
RGB Pixel Control	13
System Menu	18
Limited Warranty	21
Dimensional Drawings	22
Specifications	23
Accessories	24

INTRODUCTION

Introduction: Congratulations on your purchase of the ADJ Pixie Driver 2000! This device has been designed to provide easy and versatile control options specifically for the ADJ Pixie Strip 30, 60, and 120 series, and to perform reliably for years when the guidelines in this booklet are followed. Please read and understand the instructions in this manual carefully and thoroughly before attempting to operate this device. These instructions contain important information regarding safety during use and maintenance.

These instructions contain important safety information regarding the use and maintenance of this unit. Please keep this manual with the unit for future reference.

Customer Support: Contact ADJ Service for any product related service and support needs. Also visit forums.adj.com with questions, comments or suggestions.

Parts: To purchase parts online visit:

<http://parts.adj.com> (US)

<http://www.adjparts.eu> (EU)

ADJ SERVICE USA - Monday - Friday 8:00am to 4:30pm PST

Voice: 800-322-6337 | Fax: 323-582-2941 | support@adj.com

ADJ SERVICE EUROPE - Monday - Friday 08:30 to 17:00 CET

Voice: +31 45 546 85 60 | Fax: +31 45 546 85 96 | support@adj.eu

ADJ PRODUCTS LLC USA

6122 S. Eastern Ave. Los Angeles, CA. 90040

323-582-2650 | Fax 323-532-2941 | www.adj.com | info@adj.com

ADJ SUPPLY Europe B.V

Junostraat 2 6468 EW Kerkrade, The Netherlands

+31 (0)45 546 85 00 | Fax +31 45 546 85 99

www.adj.eu | info@adj.eu

ADJ PRODUCTS GROUP Mexico

AV Santa Ana 30 Parque Industrial Lerma, Lerma, Mexico 52000

+52 (728) 282-7070

WARNING! To prevent or reduce the risk of electrical shock or fire, do not expose this unit to rain or moisture.

CAUTION! There are no user serviceable parts inside this unit. Do not attempt any repairs yourself, doing so will void your manufacturer's warranty. In the unlikely event your unit may require service, please contact ADJ Products, LLC.

Do not discard the shipping carton in the trash. Please recycle when ever possible.

FEATURES

- Power & data supply for ADJ Pixie Strip 30, 60, & 120
- Manual RGB mode
- Internal programs
- Manual dimming and strobe control
- Full pixel mapping control
- 2,040 pixels via Kling-Net
- 340 pixels via Art-Net and sACN (streaming ACN)
- OLED screen with 4-button menu

Included Items:

1 x 10-foot (3m) 4-pin power / data cable

WARRANTY REGISTRATION

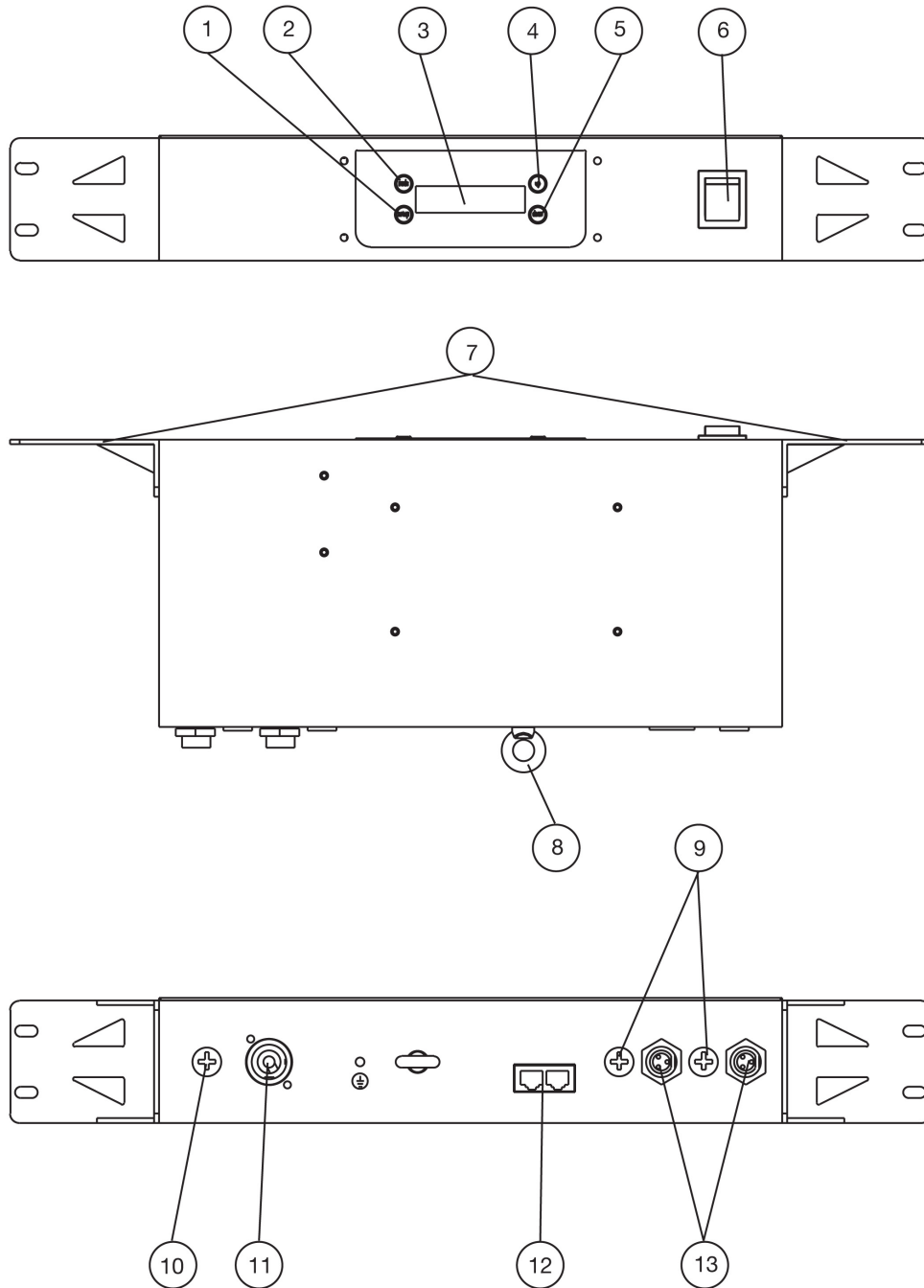
The Pixie Driver 2000 carries a 2 year limited warranty. Please fill out the enclosed warranty card to validate your purchase. All returned service items, whether under warranty or not, must be freight pre-paid and accompanied by a return authorization (R.A.) number. The R.A. number must be clearly written on the outside of the return package. A brief description of the problem as well as the R.A. number must also be written down on a piece of paper included in the shipping carton. If the unit is under warranty, you must provide a copy of your proof of purchase invoice. You may obtain a R.A. number by contacting our customer support team. All packages returned to the service department not displaying a R.A. number on the outside of the package will be returned to the shipper.

SAFETY GUIDELINES

For Your Own Personal Safety, Please Read and Understand This Manual Completely Before You Attempt To Install Or Operate This Unit!

- Be sure to save the packing carton in the unlikely event the device may have to be returned for service
- Do not spill water or other liquids into or on to the device.
- Be sure that the local power outlet matches the required voltage for the device
- Do not open up the device under any conditions. There are no user serviceable parts inside
- Disconnect the device's main power when left unused for long periods of time
- Never connect this device to a dimmer pack
- Do not attempt to operate this device if it has been damaged in any way
- Never operate this device with the cover removed
- To reduce the risk of electrical shock or fire, do not expose this device to rain or moisture
- Do not attempt to operate this device if the power cord has been frayed or broken. Do not attempt to remove or break off the ground prong from the electrical cord. This prong is used to reduce the risk of electrical shock and fire in case of an internal short
- Disconnect from main power before making any type of connection
- Never block the ventilation holes. Always be sure to mount this device in an area that will allow proper ventilation. Allow about 6" (15cm) between this device and a wall
- This unit is intended for indoor use only. Use of this product outdoors voids all warranties
- Always mount this unit in a safe and stable matter
- Please route your power cord out of the way of foot traffic. Power cords should be routed so they are not likely to be walked on, or pinched by items placed upon or against them
- **Ambient operating temperature ranges is from -4°F to 113°F (-20°C to 45°C). Do not operate this device when ambient temperature falls outside of this range!**
- **Keep flammable materials away from this fixture!**
- **IP20 Rating: Fixture is protected against solids approximately the size of an adult finger, or larger. FIXTURE IS NOT PROTECTED AGAINST LIQUID INTRUSION OF ANY KIND!**
- The device should be serviced by qualified service personnel when:
 - A. The power-supply cord or the plug has been damaged.
 - B. Objects have fallen on, or liquid has been spilled into, the device.
 - C. The device has been exposed to rain or water.
 - D. The appliance does not appear to operate normally or exhibits a marked change in performance.

OVERVIEW



- 1. Setup Button
- 2. Mode Button
- 3. LCD Screen
- 4. Up Button
- 5. Down Button
- 6. Main Power Switch
- 7. Mounting Brackets

- 8. Safety Cable Attachment Point
- 9. 10A Output Fuses
- 10. 3A Input Fuse
- 11. Power In
- 12. Kling-Net/Art-Net Ports
- 13. 4-pin Outlet Sockets

INSTALLATION

FLAMMABLE MATERIAL WARNING!

Keep drive a minimum of 5.0 feet (1.5m) away from flammable material and/or pyrotechnics.

ELECTRICAL CONNECTIONS

A qualified electrician should be used for all electrical connections and/or installations.

DO NOT INSTALL THE DEVICE IF YOU ARE NOT QUALIFIED TO DO SO!

The driver **MUST** be installed following all local, national, and country commercial electrical and construction codes and regulations.

Before installing or mounting any device, a professional equipment installer **MUST** be consulted to determine whether the mounting structure or surface is properly certified to safely support the combined weight of the device and any relevant accessories.

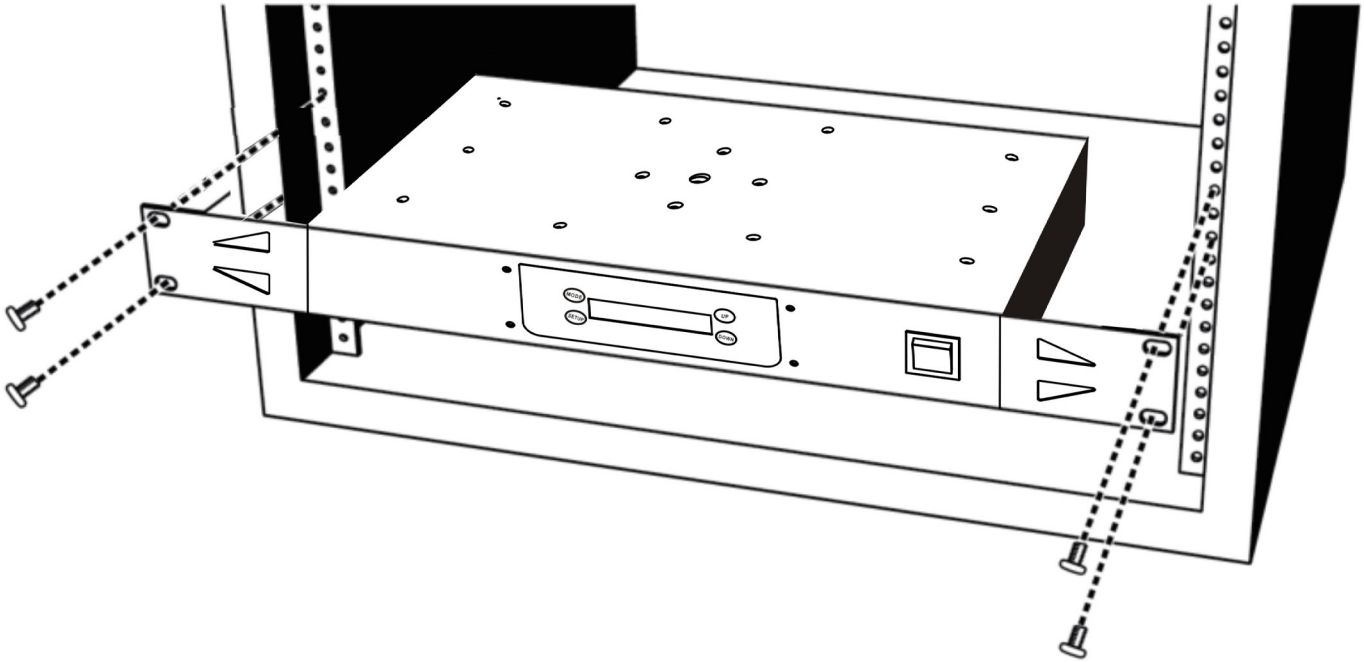
Ambient operating temperature range is from **-4°F to 113°F (-20°C to 45°C)**. Do not operate this device when ambient temperature falls outside this range.

The device should be installed in areas outside walking paths, seating areas, or away from areas where unauthorized personnel might be able to reach the device by hand.

INSTALLATION

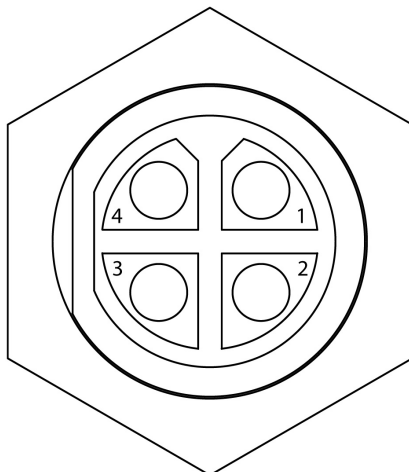
RACK MOUNTING

This device can be mounted in a standard 19-inch rack using the mounting brackets located on each side of the device. Make sure to use mounting hardware that fits the mounting holes on the device as well as the rack itself. Use all four (4) points on the mounting brackets to ensure that the device is mounted securely. Please see the illustration above for reference.



OUTLET SOCKET PIN CONFIGURATION

This device features two (2) output sockets on the back side, which may be used to connect the device to the desired lighting fixtures. The pins for each output socket are configured as shown in the image below. **Please consult a qualified electrician for all electrical connections and/or installations.**



- Pin 1: Power (+)
- Pin 2: Data
- Pin 3: CLK (clock pin)
- Pin 4: Power (-)

INSTALLATION

MULTIPLE DRIVERS

Up to five (5) Pixie Driver 2000 devices may be daisy-chained directly together and linked to a single controller. See the image below for reference. **Do NOT daisy-chain more than five (5) devices directly together.**



If more than five (5) devices are required, a one-gigabit ethernet switch may be used to expand the size of the network. However, even in this case, no more than ten (10) branches from the ethernet switch are allowable, with each branch containing up to five (5) daisy-chained devices. This permits a maximum of fifty (50) devices to be linked to a single controller, as shown in the image below. **Do NOT exceed this number of devices!**



ALLOWABLE CABLE LENGTHS

16-AWG 4-pin extension cable may be used to link multiple devices. However, please take note of maximum allowable cable lengths, as listed below.

- Max length of cable connecting a controller and a device: **59 feet (18m)**
- Max length of cable connecting two devices: **32 feet (10m)**
- Max total cable length in a single chain: **98 feet (30m) including the lengths of the lighting strip(s)**

DRIVER OUTPUT LIMITATIONS

There is a limitation to how many pixels can be controlled by each driver output port, which in turn determines the maximum number of lighting fixtures that can be controlled by a single output or driver.

The values listed in the following tables for number of fixtures per driver port/driver unit are representative of the maximum number of fixtures that can be connected if the fixtures used are all of the same model type, with individual pixel control.

For example, if you connect only Pixie Strip 30s to the driver, and operate the driver in Kling-Net mode, you can connect up to 34 units of that model type to each driver port. This is defined by the fact that each driver port can handle a maximum of 1020 pixels, and each Pixie Strip 30 fixture is made up of 30 pixels. Therefore, you have 1020 pixels per driver port, divided by 30 pixels per fixture, which equals 34 fixtures per driver port.

It is possible to mix and match Pixie Strip model types that are attached to a single driver port. In this case, the important thing to keep in mind is the maximum number of pixels per driver port. As long as this value is not exceeded, any combination of Pixie Strip 30s, 60s, and 120s may be used.

PIXIE STRIP 30/60/120

MODEL	TOTAL PIXELS	TOTAL CONTROL CHAN.	KLING-NET MAX PIXELS PER PORT = 1020 MAX PIXELS PER DRIVER = 2040			
			MAX FIXTURES per DRIVER PORT	MAX PIXELS per DRIVER PORT	MAX FIXTURES per DRIVER UNIT	MAX PIXELS per DRIVER UNIT
Pixie Strip 30	30	90	34	1020	68	2040
Pixie Strip 60	60	180	17	1020	34	2040
Pixie Strip 120	120	360	8	960	16	1920

MODEL	TOTAL PIXELS	TOTAL CONTROL CHAN.	ARTNET / sACN MAX PIXELS PER PORT = 170 MAX PIXELS PER DRIVER = 340			
			MAX FIXTURES per DRIVER PORT	MAX PIXELS per DRIVER PORT	MAX FIXTURES per DRIVER UNIT	MAX PIXELS per DRIVER UNIT
Pixie Strip 30	30	90	5	150	10	300
Pixie Strip 60	60	180	2	120	4	240
Pixie Strip 120	120	360	1	120	2	240

DRIVER OUTPUT LIMITATIONS

Your Pixie Driver 2000 is programmed not to allow Pixie Strip fixtures to be added in such a way that the maximum number of pixels per port would be exceeded. This is done by limiting the number of Pixie Strip units that can be selected in the System Menu based on what has already been set up on the unit.

If we look at the example from the previous page, where 34 Pixie Strip 30s have been set up on a single port in Kling-Net mode, the System Menu will not allow any further fixtures to be set up on that port, regardless of model. This is because 34 fixtures, times 30 pixels per fixture, uses up the port's entire capacity of 1020 pixels. If we then tried to set up an additional Pixie Strip 60, the System Menu would not allow any values other than "0" to be selected, because the port does not have the capacity to support the additional 60 pixels that would be required.

PIXELS IN USE		PIXELS FREE
34 x Pixie Strip 30	1020 pixels	1020 pixel capacity - 1020 pixels in use <hr/> 0 pixels free
0 x Pixie Strip 60	0 pixels	
0 x Pixie Strip 120	0 pixels	
1020 total pixels in use		

In this case, we would first need to "make room" on this driver port by reducing the number of Pixie Strip 30s that are set up. If we reduce the number of Pixie Strip 30s by two units, we then free up 60 pixels on this driver port.

PIXELS IN USE		PIXELS FREE
32 x Pixie Strip 30	960 pixels	1020 pixel capacity - 960 pixels in use <hr/> 60 pixels free
0 x Pixie Strip 60	0 pixels	
0 x Pixie Strip 120	0 pixels	
960 total pixels in use		

Now that we have freed up 60 pixels on this driver port, we are able to add the Pixie Strip 60, as desired. The System Menu now allows you to increase the number of Pixie Strip 60s on this driver port to 1, *but it will not allow you to increase the number any higher* because there are not enough pixels free to add more than 1 Pixie Strip 60. Notice, too, that the only selectable value for Pixie Strip 120s is "0" due to the fact that 60 free pixels is not enough to run a single Pixie Strip 120.

PIXELS IN USE		PIXELS FREE
32 x Pixie Strip 30	960 pixels	1020 pixel capacity - 1020 pixels in use <hr/> 0 pixels free
1 x Pixie Strip 60	60 pixels	
0 x Pixie Strip 120	0 pixels	
1020 total pixels in use		

If you are having trouble adding the desired number of fixtures to a driver port, double check the number of fixtures of other Pixie Strip models that have been set up to see if they are using up all of the available pixel space on that port.

RGB PIXEL CONTROL

This feature gives the user the ability to adjust the RGB Pixel Control configuration of the device. Individual pixels may be controlled independently for finer control over the resolution of the device's lighting display. Alternately, multiple individual pixels may be grouped together under a common set of control channels in order to reduce the number of required control channels. This also reduces the effective pixel count for each fixture, thereby allowing an increased number of fixtures to be operated off of the same driver port (see the **Driver Output Limitations** section). The downside to this is the reduced resolution of the lighting display.

For example, if the user is setting up a Pixie Strip 30 containing thirty (30) individual pixels, the finest level of control would be 1x30, which signifies 30 groups of 1 pixel each. In a 1x30 pixel control configuration, each of the 30 pixels is controlled independently, giving the lighting display a fine degree of resolution. However, each individual pixel requires 3 control channels (Red, Green, and Blue), and therefore 90 control channels are required to operate the device in this configuration, in addition to the need for the driver port to have free capacity to control at least 30 pixels.

If using fewer control channels or less driver port pixel capacity is desired, the user may opt for a different pixel control configuration, such as 2x15. This configuration separates the lighting display into 15 groups, each containing 2 individual pixels, with each group being controlled by a single set of control channels. Thus, the requirement for number of control channels is reduced to 45 (15 groups each requiring 3 control channels for Red, Green, and Blue). Moreover, each group of 2 pixels can now be treated effectively as a single large pixel, reducing the required driver port free pixel capacity to just 15 pixels. **This is particularly useful when operating in Art-Net or sACN mode, where each driver port can accommodate a relatively limited number of pixels**

PIXEL CONTROL MODES, PIXIE STRIP MODELS

Pixie Strip 30	Pixie Strip 60	Pixie Strip 120
2 x 15	2 x 30	2 x 60
3 x 10	3 x 20	3 x 40
5 x 6	4 x 15	4 x 30
6 x 5	5 x 12	5 x 24
10 x 3	6 x 10	6 x 20
15 x 2	10 x 6	8 x 15
30 x 1	12 x 5	10 x 12
	15 x 4	15 x 8
	20 x 3	20 x 6
	30 x 2	24 x 5
	60 x 1	30 x 4
		40 x 3
		60 x 2
		120 x 1

RGB PIXEL CONTROL

PIXEL CONTROL MODES, FULL LIST

Pixel Count	Pixel Group Options
1	1x1
2	1x2, 2x1
3	1x3, 3x1
4	1x4, 2x2, 4x1
5	1x5, 5x1
6	1x6, 2x3, 3x2, 6x1
7	1x7
8	1x8, 2x4, 4x2, 8x1
9	1x9, 3x3, 9x1
10	1x10, 2x5, 5x2, 10x1
11	1x11
12	1x12, 2x6, 3x4, 4x3, 6x2, 12x1
13	1x13
14	1x14, 2x7, 7x2, 14x1
15	1x15, 3x5, 5x3, 15x1
16	1x16, 2x8, 4x4, 8x2, 16x1
17	1x17
18	1x18, 2x9, 3x6, 6x3, 9x2, 18x1
19	1x19
20	1x20, 2x10, 4x5, 5x4, 10x2, 20x1
21	1x21, 3x7, 7x3, 21x1
22	1x22, 2x11, 11x2, 22x1
23	1x23
24	1x24, 2x12, 3x8, 4x6, 6x4, 8x3, 12x2, 24x1
25	1x25, 5x5, 25x1
26	1x26, 2x13, 13x2, 26x1
27	1x27, 3x9, 9x3, 27x1
28	1x28, 2x14, 4x7, 7x4, 14x2, 28x1
29	1x29
30	1x30, 2x15, 3x10, 5x6, 6x5, 10x3, 15x2, 30x1
31	1x31

Pixel Count	Pixel Group Options
32	1x32, 2x16, 4x8, 8x4, 16x2, 32x1
33	1x33, 3x11, 11x3, 33x1
34	1x34, 2x17, 17x2, 34x1
35	1x35, 5x7, 7x5, 35x1
36	1x36, 2x18, 3x12, 4x9, 6x6, 9x4, 12x3, 18x2, 36x1
37	1x37
38	1x38, 2x19, 19x2, 38x1
39	1x39, 3x13, 13x3, 39x1
40	1x40, 2x20, 4x10, 5x8, 8x5, 10x4, 20x2, 40x1
41	1x41
42	1x42, 2x21, 3x14, 6x7, 7x6, 14x3, 21x2, 42x1
43	1x43
44	1x44, 2x22, 4x11, 11x4, 22x2, 44x1
45	1x45, 3x15, 5x9, 9x5, 15x3, 45x1
46	1x46, 2x23, 23x2, 46x1
47	1x47
48	1x48, 2x24, 3x16, 4x12, 6x8, 8x6, 12x4, 16x3, 24x2, 48x1
49	1x49, 7x7, 49x1
50	1x50, 2x25, 5x10, 10x5, 25x2, 50x1
51	1x51, 3x17, 17x3, 51x1
52	1x52, 2x26, 4x13, 13x4, 26x2, 52x1
53	1x53
54	1x54, 2x27, 3x18, 6x9, 9x6, 18x3, 27x2, 54x1
55	1x55, 5x11, 11x5, 55x1
56	1x56, 2x28, 4x14, 7x8, 8x7, 14x4, 28x2, 56x1
57	1x57, 3x19, 19x3, 57x1
58	1x58, 2x29, 29x2, 58x1
59	1x59

RGB PIXEL CONTROL

PIXEL CONTROL MODES, FULL LIST (continued)

Pixel Count	Pixel Group Options
60	1x60, 2x30, 3x20, 4x15, 5x12, 6x10, 10x6, 12x5, 15x4, 20x3, 30x2, 60x1
61	1x61
62	1x62, 2x31, 31x2, 62x1
63	1x63, 3x21, 7x9, 9x7, 21x3, 63x1
64	1x64, 2x32, 4x16, 8x8, 16x4, 32x2, 64x1
65	1x65, 5x13, 13x5, 65x1
66	1x66, 2x33, 3x22, 6x11, 11x6, 22x3, 33x2, 66x1
67	1x67
68	1x68, 2x34, 4x17, 17x4, 34x2, 68x1
69	1x69, 3x23, 23x3, 69x1
70	1x70, 2x35, 5x14, 7x10, 10x7, 14x5, 35x2, 70x1
71	1x71
72	1x72, 2x36, 3x24, 4x18, 6x12, 8x9, 9x8, 12x6, 18x4, 24x3, 36x2, 72x1
73	1x73
74	1x74, 2x37, 37x2, 74x1
75	1x75, 3x25, 5x15, 15x5, 25x3, 75x1
76	1x76, 2x38, 4x19, 19x4, 38x2, 76x1
77	1x77, 7x11, 11x7, 77x1
78	1x78, 2x39, 3x26, 6x13, 13x6, 26x3, 39x2, 78x1
79	1x79
80	1x80, 2x40, 4x20, 5x16, 8x10, 10x8, 16x5, 20x4, 40x2, 80x1
81	1x81, 3x27, 9x9, 27x3, 81x1
82	1x82, 2x41, 41x2, 82x1
83	1x83
84	1x84, 2x42, 3x28, 4x21, 6x14, 7x12, 12x7, 14x6, 21x4, 28x3, 42x2, 84x1
85	1x85, 5x17, 17x5, 85x1
86	1x86, 2x43, 43x2, 86x1
87	1x87, 3x29, 29x3, 87x1

Pixel Count	Pixel Group Options
88	1x88, 2x44, 4x22, 8x11, 11x8, 22x4, 44x2, 88x1
89	1x89
90	1x90, 2x45, 3x30, 5x18, 6x15, 9x10, 10x9, 15x6, 18x5, 30x3, 45x2, 90x1
91	1x91, 7x13, 13x7, 91x1
92	1x92, 2x46, 4x23, 23x4, 46x2, 92x1
93	1x93, 3x31, 31x3, 93x1
94	1x94, 2x47, 47x2, 94x1
95	1x95, 5x19, 19x5, 95x1
96	1x96, 2x48, 3x32, 4x24, 6x16, 8x12, 12x8, 16x6, 24x4, 32x4, 48x2, 96x1
97	1x97
98	1x98, 2x49, 7x14, 14x7, 49x2, 98x1
99	1x99, 3x33, 9x11, 11x9, 33x3, 99x1
100	1x100, 2x50, 4x25, 5x20, 10x10, 20x5, 25x4, 50x2, 100x1
101	1x101
102	1x102, 2x51, 3x34, 6x17, 17x6, 34x3, 51x2, 102x1
103	1x103
104	1x104, 2x52, 4x26, 8x13, 13x8, 26x4, 52x2, 104x1
105	1x105, 3x35, 5x21, 7x15, 15x7, 21x5, 35x3, 105x1
106	1x106, 2x53, 53x2, 106x1
107	1x107
108	1x108, 2x54, 3x36, 4x27, 6x18, 9x12, 12x9, 18x6, 27x4, 36x3, 54x2, 108x1
109	1x109
110	1x110, 2x55, 5x22, 10x11, 11x10, 22x5, 55x2, 110x1
111	1x111, 3x37, 37x3, 111x1
112	1x112, 2x56, 4x28, 7x16, 8x14, 14x8, 16x7, 28x4, 56x2, 112x1
113	1x113
114	1x114, 2x57, 3x38, 6x19, 19x6, 38x3, 57x2, 114x1

RGB PIXEL CONTROL

PIXEL CONTROL MODES, FULL LIST (continued)

Pixel Count	Pixel Group Options
115	1x115, 5x23, 23x5, 115x1
116	1x116, 2x58, 4x29, 29x4, 58x2, 116x1
117	1x117, 3x39, 9x13, 13x9, 39x3, 117x1
118	1x118, 2x59, 59x2, 118x1
119	1x119, 7x17, 17x7, 119x1
120	1x120, 2x60, 3x40, 4x30, 5x24, 6x20, 8x15, 10x12, 12x10, 15x8, 20x6, 24x5, 30x4, 40x3, 60x2, 120x1
121	1x121, 11x11, 121x1
122	1x122, 2x61, 61x2, 122x1
123	1x123, 3x41, 41x3, 123x1
124	1x124, 2x62, 4x31, 31x4, 62x2, 124x1
125	1x125, 5x25, 25x5, 125x1
126	1x126, 2x63, 3x42, 6x21, 7x18, 9x14, 14x9, 18x7, 21x6, 42x3, 63x2, 126x1
127	1x127
128	1x128, 2x64, 4x32, 8x16, 16x8, 32x4, 64x2, 128x1
129	1x129, 3x43, 43x3, 129x1
130	1x130, 2x65, 5x26, 10x13, 13x10, 26x5, 65x2, 130x1
131	1x131
132	1x132, 2x66, 3x44, 4x33, 6x22, 11x12, 12x11, 22x6, 33x4, 44x3, 66x2, 132x1
133	1x133, 7x19, 19x7, 133x1
134	1x134, 2x67, 67x2, 134x1
135	1x135, 3x45, 5x27, 9x15, 15x9, 27x5, 45x3, 135x1
136	1x136, 2x68, 4x34, 8x17, 17x8, 34x4, 68x2, 136x1
137	1x137
138	1x138, 2x69, 3x46, 6x23, 23x6, 46x3, 69x2, 138x1
139	1x139
140	1x140, 2x70, 4x35, 5x28, 7x20, 10x14, 14x10, 20x7, 28x5, 35x4, 70x2, 140x1
141	1x141, 3x47, 47x3, 141x1

Pixel Count	Pixel Group Options
142	1x142, 2x71, 71x2, 142x1
143	1x143, 11x13, 13x11, 143x1
144	1x144, 2x72, 3x48, 6x36, 8x24, 9x18, 12x16, 16x12, 18x9, 24x8, 36x6, 48x3, 72x2, 144x1
145	1x145, 5x29, 29x5, 145x1
146	1x146, 2x73, 73x2, 146x1
147	1x147, 3x49, 7x21, 21x7, 49x3, 147x1
148	1x148, 2x74, 4x37, 37x4, 74x2, 148x1
149	1x149
150	1x150, 2x75, 3x50, 5x30, 6x25, 10x15, 15x10, 25x6, 30x5, 50x3, 75x2, 150x1
151	1x151
152	1x152, 2x76, 4x38, 8x19, 19x8, 38x4, 76x2, 152x1
153	1x153, 3x51, 9x17, 17x9, 51x3, 153x1
154	1x154, 2x77, 7x22, 11x14, 14x11, 22x7, 77x2, 154x1
155	1x155, 5x31, 31x5, 155x1
156	1x156, 2x78, 3x52, 4x39, 6x26, 12x13, 13x12, 26x6, 39x4, 52x3, 78x2, 156x1
157	1x157
158	1x158, 2x79, 79x2, 158x1
159	1x159, 3x53, 53x3, 159x1
160	1x160, 2x80, 4x40, 5x32, 8x20, 10x16, 16x10, 20x8, 32x5, 40x4, 80x2, 160x1
161	1x161, 7x23, 23x7, 161x1
162	1x162, 2x81, 3x54, 6x27, 9x18, 18x9, 27x6, 54x3, 81x2, 162x1
163	1x163
164	1x164, 2x82, 4x41, 41x4, 82x2, 164x1
165	1x165, 3x55, 5x33, 11x15, 15x11, 33x5, 55x3, 165x1
166	1x166, 2x83, 83x2, 166x1
167	1x167

RGB PIXEL CONTROL

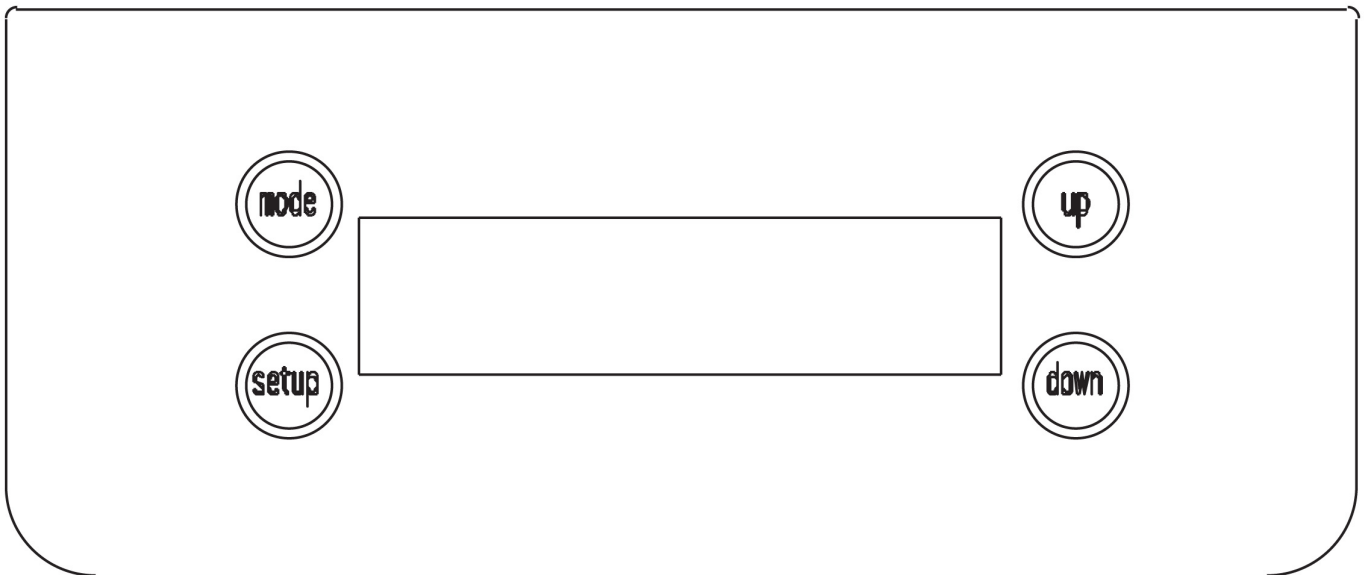
PIXEL CONTROL MODES, FULL LIST (continued)

Pixel Count	Pixel Group Options
168	1x168, 2x84, 3x56, 4x42, 6x28, 7x24, 8x21, 12x14, 14x12, 21x8, 24x7, 28x6, 42x4, 56x3, 84x2, 168x1
169	1x169, 13x13, 169x1
170	1x170, 2x85, 5x34, 10x17, 17x10, 34x5, 85x2, 170x1

SYSTEM MENU

The device includes an easy to navigate system menu control panel display where all necessary settings and adjustments are made (see image below).

- The **MODE** button is used to cycle through main menu options, or to return to the previous menu.
- The **SETUP** button is used to select an option in either the main menu or the sub-menu of any main menu item, and to cycle through the sub-menu options.
- The **UP** and **DOWN** buttons are used to adjust the values of the sub-menu options.



SYSTEM MENU

MODE	SET UP	UP/DOWN	DESCRIPTION
DIMMER MODE	Red Dimmer	Manual Control Red: xxx	Adjust intensity of red color
	Green Dimmer	Manual Control Green: xxx	Adjust intensity of green color
	Blue Dimmer	Manual Control Blue: xxx	Adjust intensity of blue color
	Output Enable or Dis- able Set	Manual Control: Out1: Enable / Disable	Enable or disable output 1
Manual Control: Out2: Enable / Disable		Enable or disable output 2	
KLINGNET MODE	Pixie Strip Setup	Klingnet Out x Pixie Strip xxx	Select which Pixie Strip model will be connected to each output. • x = Output Port (1 or 2) • xxx = Pixie Strip model (30, 60, or 120)
		Klingnet Out x xxx IP Number xx	Select the number of individual Pixie Strip units that will be connected to each output. • xx = number of units
		Klingnet Out x xx X xx RGB Pixels	Select the RGB Pixel Control mode. See the RGB Pixel Control section of this manual for a full list of selectable values.
ARTNET MODE	IP Address Set	IP Address Out x xxx:xxx:xxx:xxx	Set IP address of each output.
	DMX Universe Set	Universe Out x U:xxxxx	Set DMX universe of each output.
	Pixie Strip Setup	Artnet Out x Pixie Strip xxx	Select which Pixie Strip model will be connected to each output. • x = Output Port (1 or 2) • xxx = Pixie Strip model (30, 60, or 120)
		Artnet Out x xxx IP Number xx	Select the number of individual Pixie Strip units that will be connected to each output. • xx = number of units
		Artnet Out x xx X xx RGB Pixels	Select the RGB Pixel Control mode. See the RGB Pixel Control section of this manual for a full list of selectable values.
sACN CONTROL MODE	DMX Universe Set Pixie Strip Setup	sACN Out x U:xxxxx	Set the DMX universe of each output (x).
		sACN Out x Pixie Strip xxx	Select which Pixie Strip model will be connected to each output. • x = Output Port (1 or 2) • xxx = Pixie Strip model (30, 60, or 120)
		sACN Out x xxx IP Number xx	Select the number of individual Pixie Strip units that will be connected to each output. • xx = number of units

CONTINUED ON NEXT PAGE

SYSTEM MENU

MODE	SETUP	UP/DOWN	DESCRIPTION
sACN CONTROL MODE (continued)	DMX Universe Set Pixie Strip Setup	sACN Out x xx X xx RGB Pixels	Select the RGB Pixel Control mode. See the RGB Pixel Control section of this manual for a full list of selectable values.
KLINGNET & ARTNET CONTROL MODE	Klingnet Enable or Disable Set	Klingnet & Artnet Klingnet: Enable / Disable	Enable or disable the Klingnet control.
	Klingnet Pixie Strip Setup	Klingnet Out x Pixie Strip xxx	Select which Pixie Strip model will be connected to each output. • x = Output Port (1 or 2) • xxx = Pixie Strip model (30, 60, or 120)
		Klingnet Out x xxx IP Number xx	Select the number of individual Pixie Strip units that will be connected to each output. • xx = number of units
	Artnet IP Address Set	IP Address Out x xxx:xxx:xxx:xxx	Set the IP address of each output.
	Artnet Universe Set	Universe Out x U:xxxxx	Set the DMX universe of each output.
BUILT IN PROGRAM MODE	Program Play Set	Programs Program xx	Select a built-in program.
		Programs Speed xx	Set the program speed.
		Programs Fade xx	Set the program fade speed.
		Programs Phase Time xx	Set the phase time.
	Pixie Strips Setup	Program Out x Pixie Strip xxx	Select which Pixie Strip model will be connected to each output. • x = Output Port (1 or 2) • xxx = Pixie Strip model (30, 60, or 120)
		Program Out x xxx IP Number xx	Select the number of individual Pixie Strip units that will be connected to each output. xx = number of units
SETUP OPTIONS	LCD Backlight On/Off	Setup Options BLGT:On	LED backlight always on.
		Setup Options BLGT:Off	LED backlight turns off after 20s of inactivity.
	LCD Backlight Brightness	Setup Options BRCO:xxx	Adjust the brightness of the LCD backlight.
	System Reset	Setup Options SysReset	Reset device to factory settings.
SOFTWARE VERSION	Software Version Display	Software Version Port1 Vx.x	Software version of output port 1.
		Software Version Port2 Vx.x	Software version of output port 2.

LIMITED WARRANTY (USA ONLY)

MANUFACTURER'S LIMITED WARRANTY

- A. ADJ Products, LLC hereby warrants, to the original purchaser, ADJ Products, LLC products to be free of manufacturing defects in material and workmanship for a prescribed period from the date of purchase (see specific warranty period on reverse). This warranty shall be valid only if the product is purchased within the United States of America, including possessions and territories. It is the owner's responsibility to establish the date and place of purchase by acceptable evidence, at the time service is sought.
- B. For warranty service you must obtain a Return Authorization number (RA#) before sending back the product—please contact ADJ Products, LLC Service Department at 800-322-6337. Send the product only to the ADJ Products, LLC factory. All shipping charges must be pre-paid. If the requested repairs or service (including parts replacement) are within the terms of this warranty, ADJ Products, LLC will pay return shipping charges only to a designated point within the United States. If the entire instrument is sent, it must be shipped in its original package. No accessories should be shipped with the product. If any accessories are shipped with the product, ADJ Products, LLC shall have no liability whatsoever for loss of or damage to any such accessories, nor for the safe return thereof.
- C. This warranty is void if the serial number has been altered or removed; if the product is modified in any manner which ADJ Products, LLC concludes, after inspection, affects the reliability of the product; if the product has been repaired or serviced by anyone other than the ADJ Products, LLC factory unless prior written authorization was issued to purchaser by ADJ Products, LLC; if the product is damaged because not properly maintained as set forth in the instruction manual.
- D. This is not a service contract, and this warranty does not include maintenance, cleaning or periodic check up. During the period specified above, ADJ Products, LLC will replace defective parts at its expense with new or refurbished parts, and will absorb all expenses for warranty service and repair labor by reason of defects in material or workmanship. The sole responsibility of ADJ Products, LLC under this warranty shall be limited to the repair of the product, or replacement thereof, including parts, at the sole discretion of ADJ Products, LLC. All products covered by this warranty were manufactured after August 15, 2012, and bear indentifying marks to that effect.
- E. ADJ Products, LLC reserves the right to make changes in design and/or improvements upon its products without any obligation to include these changes in any products theretofore manufactured.

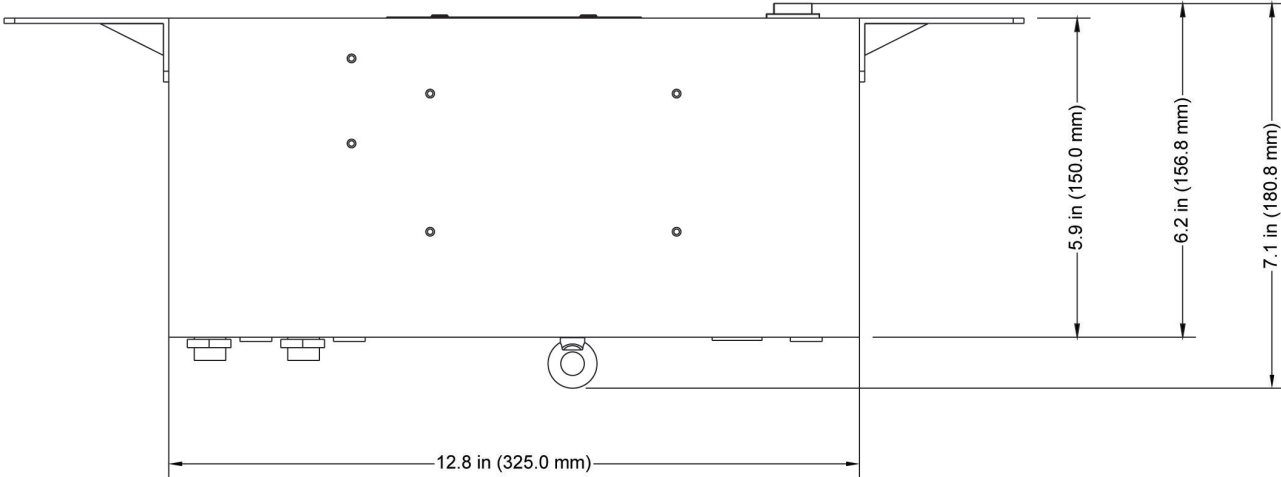
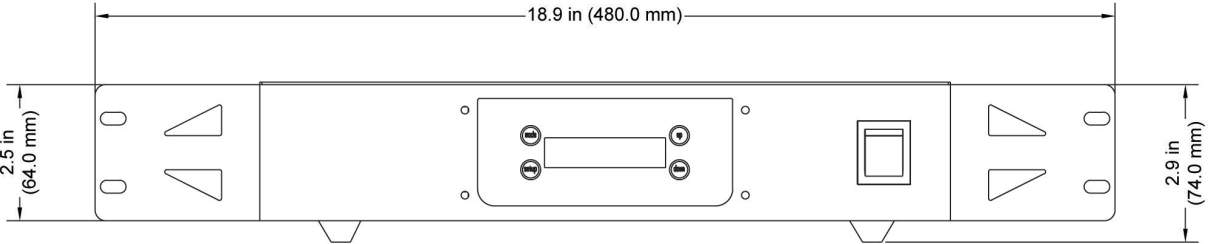
No warranty, whether expressed or implied, is given or made with respect to any accessory supplied with products described above. Except to the extent prohibited by applicable law, all implied warranties made by ADJ Products, LLC in connection with this product, including warranties of merchantability or fitness, are limited in duration to the warranty period set forth above. And no warranties, whether expressed or implied, including warranties of merchantability or fitness, shall apply to this product after said period has expired. The consumer's and/or Dealer's sole remedy shall be such repair or replacement as is expressly provided above; and under no circumstances shall ADJ Products, LLC be liable for any loss or damage, direct or consequential, arising out of the use of, or inability to use, this product.

This warranty is the only written warranty applicable to ADJ Products, LLC Products and supersedes all prior warranties and written descriptions of warranty terms and conditions heretofore published.

MANUFACTURER'S LIMITED WARRANTY PERIODS:

- **Non L.E.D. Lighting Products = 1-year (365 days) Limited Warranty** (Such as: Special Effect Lighting, Intelligent Lighting, UV lighting, Strobes, Fog Machines, Bubble Machines, Mirror Balls, Par Cans, Trussing, Lighting Stands etc. excluding LED and lamps)
- **Laser Products = 1 Year (365 Days) Limited Warranty** (excluding laser diodes which have a 6 month limited warranty)
- **L.E.D. Products = 2-year (730 days) Limited Warranty** (excluding batteries which have a 180 day limited warranty).
Note: 2 Year Warranty only applies to purchases within the United States.
- **StarTec Series = 1 Year Limited Warranty** (excluding batteries which have a 180 day limited warranty).
- **ADJ DMX Controllers = 2 Year (730 Days) Limited Warranty**

DIMENSIONAL DRAWINGS



Dimensions may not be drawn to scale.

SPECIFICATIONS

Control Features:

- Power/data supply for ADJ Lighting Pixie Strip 30, Pixie Strip 60, and Pixie Strip 120
- Manual RGB mode
- Internal programs
- Manual dimming and strobe control
- Full pixel mapping control
- 2,040 pixels via Kling-Net
- 340 pixels via Art-Net and sACN (streaming ACN)
- OLED screen with 4-button menu

Control Quantity:

- KlingNet: 34 Pixie Strip 30; 17 Pixie Strip 60; 8 Pixie Strip 120
- ArtNet: 170 pixels max each port
- sACN: 170 pixels max each port

Connections:

- Power: PowerLock Input
- Two KlingNet / ArtNet ethernet ports
- Two 4-pin DC24V power/data outputs to Pixie Strips

Mounting Options:

- Bolt to add a clamp to hang from truss (clamp and truss not included)
- Includes 19-inch rack mount ears
- Safety eye

Electrical:

- Multi-voltage operation: AC 110-240V, 50/60 Hz
- Power consumption: 400W max
- -4 degrees F to 113 degrees F (-20 degrees C to 45 degrees C)

Dimensions / Weight:

- Dimensions (LxWxH): 18.9" x 7.11" x 2.91" / 480mm x 180.8mm x 74mm
- Weight: 5.6 lbs / 2.5 kg

What's Included:

- PowerLock power cable
- 19-inch rack mount ears
- 4-pin data cable

Approvals:

CE | cETLus

Accessories:

- PSLC1 (PIX158): 1-foot Pixie Strip Link Cable
- PSLC3 (PIX174): 3-foot Pixie Strip Link Cable
- PSLC5 (PIX188): 5-foot Pixie Strip Link Cable
- PSLC10 (PIX200): 10-foot Pixie Strip Link Cable
- PSLC15 (PIX213): 15-foot Pixie Strip Link Cable
- PSLC25 (PIX229): 25-foot Pixie Strip Link Cable
- PSLC50 (PIX242): 50-foot Pixie Strip Link Cable

Please Note: Specifications and improvements in the design of this unit and this manual are subject to change without any prior written notice.

ACCESSORIES

Order Code	Description
PIX158	1-foot Pixie Strip Link Cable
PIX174	3-foot Pixie Strip Link Cable
PIX188	5-foot Pixie Strip Link Cable
PIX200	10-foot Pixie Strip Link Cable
PIX213	15-foot Pixie Strip Link Cable
PIX229	25-foot Pixie Strip Link Cable
PIX242	50-foot Pixie Strip Link Cable

